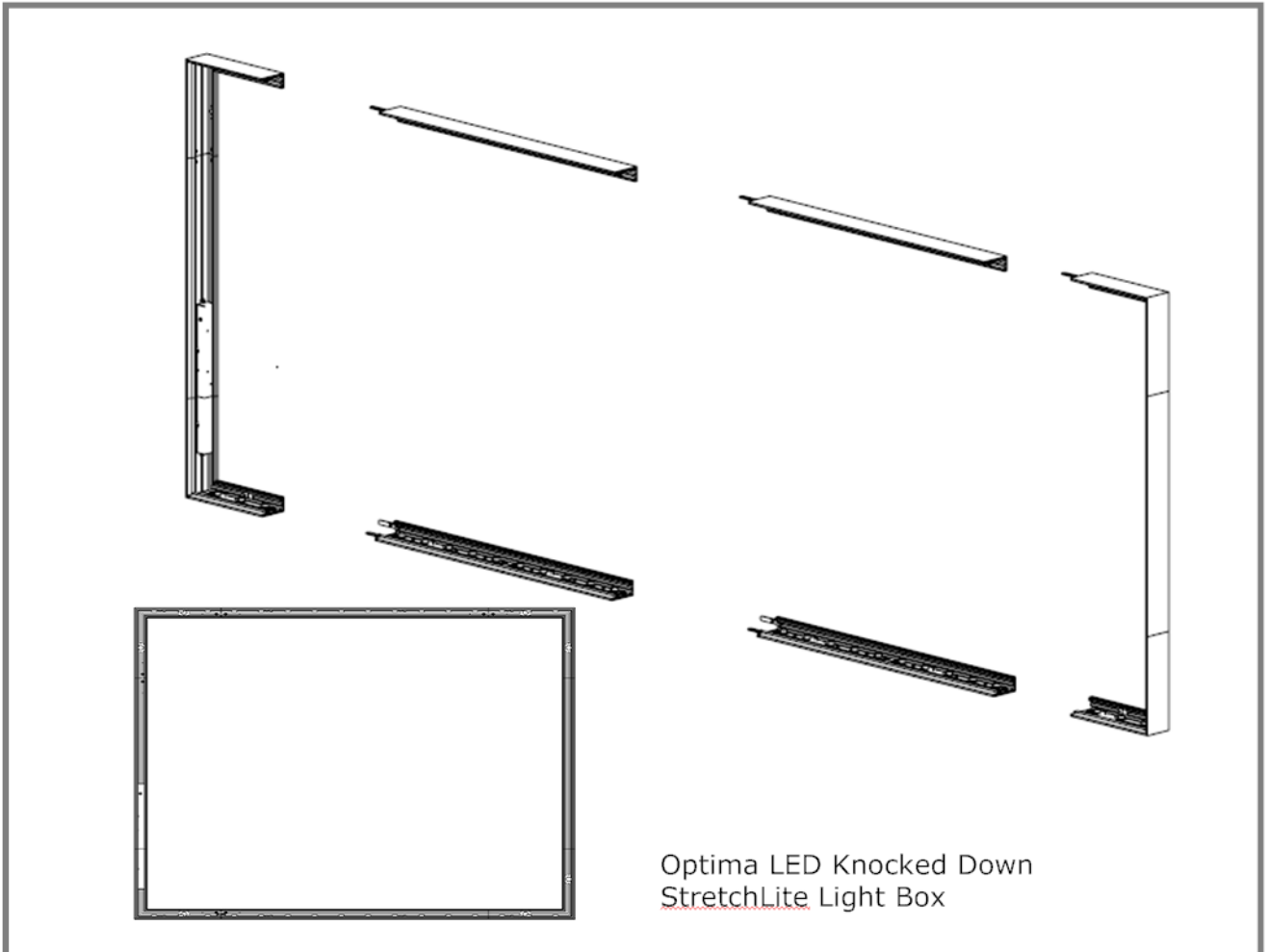




## Installation Instructions

# Optima LED® Knocked Down StretchLite Graphic Display



**Figure 1**

## INSTALLATION INSTRUCTIONS

### ***Before you begin***

These instructions illustrate the Stylmark Optima LED® Knocked Down StretchLite Graphic Display. If you have questions during assembly, call 800-328-2495 to request technical assistance.

### ***Tools you'll need***

- 5/32" Hex Driver (provided)
- 1/4" Drill (varies by application)
- Level

**Please read these instructions carefully before beginning installation.**

Part Number# 971880  
Rev B (09/19)

# Stylmark Installation Instructions: Optima LED® Knocked Down StretchLite

## Getting Started:

These instructions are for Optima LED® Knocked Down StretchLite Graphic Display. Follow the instructions for the assembly ordered.

Please review all electrical requirements on the label before connecting. Do not use improper current.

If the unit is hard-wired, a qualified electrician should perform electrical connection.

This sign is intended to be installed in dry locations only and in accordance with the requirements of Article 600 of the National Electrical Code and/or other applicable local codes. This includes proper grounding and bonding of the sign.

## Step-by-Step Instructions – Mounting – End Sections:

**Please Note:** 2 Line voltage access holes are prefabricated at each corner. Each hole center is located 8.00" X 1.00" horizontally and vertically from the outside face of the Stretchlite frame.

See Figure 2.

1. Starting with an END SECTION requiring power, ensure the field line voltage aligns with the access holes in the END SECTION and mark 90° lines at the starting corner.  
**See Figure 3.**
2. Identify the hole location feature in the frame profile. Pre-drill fastener holes through the profile frame along the hole location feature that are suitable for your wall construction. **See Figure 3.**
3. Place END SECTION up to mounting surface at marks and attach to wall using suitable fasteners for your wall construction (Obtain Locally). Fasteners to have minimal pull out rating of 75 lbs. per fastener.  
**See Figure 2 and 3.**

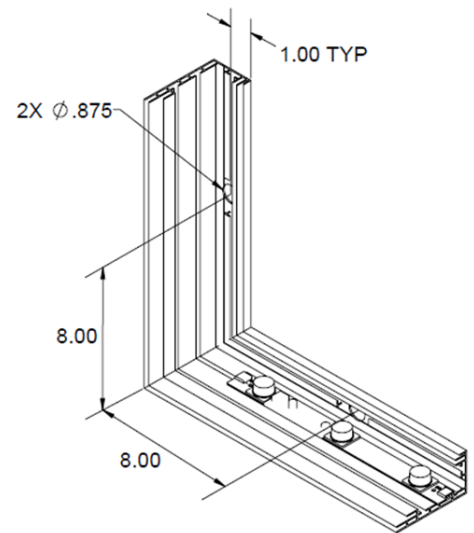


Figure 2

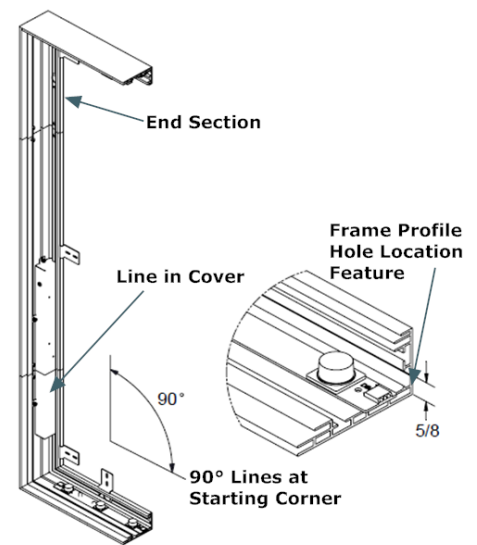


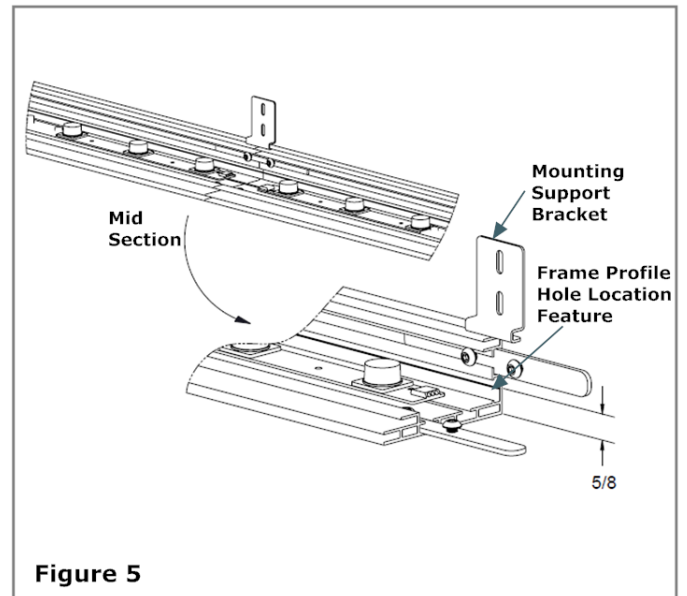
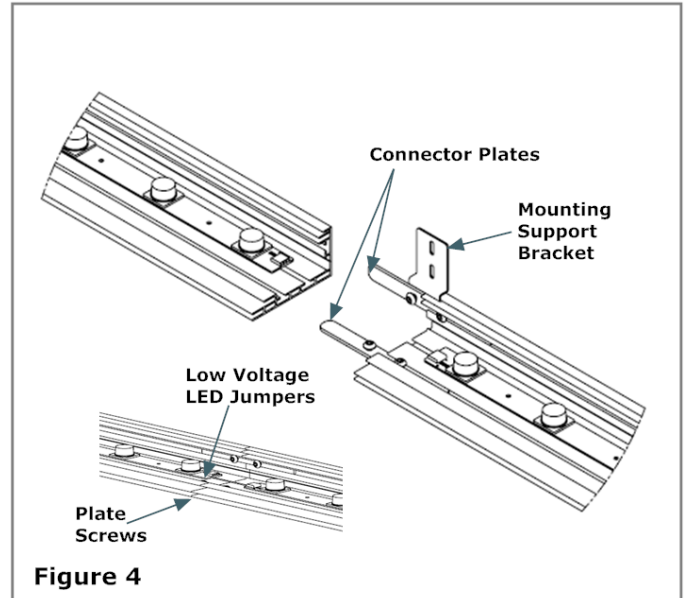
Figure 3

Part Number# 971880  
Rev B (09/19)

# Stylmark Installation Instructions: Optima LED® Knocked Down StretchLite

## Step-by-Step Instructions – Mounting –Sections Assembly:

1. Attach Sections by inserting the pre-assembled connector plates with channels in the profile. Ensure the parts are butted together flush and tighten the plate screws using 5/32" hex driver provided.  
**See Figure 4.**
2. Using a level, ensure sections are flush together and level. Install Mounting Support Brackets by inserting into the bracket channel and fastening to the mounting surface at a stud or using a wall anchor.
3. For long sections or when needed, drill additional holes and install fasteners at Frame Profile Hole Location Feature.  
**See Figure 5.**



Part Number# 971880  
Rev B (09/19)

# Stylmark Installation Instructions: Optima LED® Knocked Down StretchLite

---

## **Step-by-Step Instructions – Electrical Connections:**

1. Once all End and Mid Sections are assembled and securely fastened to the mounting surface. Remove the line in cover to access the line voltage wire harnesses and make line voltage connection.
2. Re-install the line in cover.
3. Inspect the splice joints between sections. Connect any loose low voltage jumpers that span across the splice joints.

## **Step-by-Step Instructions – Back Diffuser / Graphic Installation:**

1. Begin by inserting the corner of the back-frame diffuser fabric into each back-frame fabric channel, working opposite corners.
2. Insert the midpoint of the back-frame diffuser fabric into the back-frame fabric channel on each side.
3. Continue tucking the sides into the channel by inserting the middle of the remaining sections.
4. Finish by working the rest of each edge smoothly into the channel, working out any bunching or wrinkles.
5. To remove the fabric, pull on the tag. Repeat these steps for front graphic.

Part Number# 971880  
Rev B (09/19)