

Figure 1

## INSTALLATION INSTRUCTIONS

### ***Before you begin***

These instructions illustrate the Stylmark® 6801X8 LED Lighting for showcases and cabinets. If you have questions during assembly, call Stylmark's technical help line. This package does not include specialty fasteners or adhesives which may be necessary for complete assembly.

### ***Tools you'll need***

- #2 Phillips screwdriver
- #1 Phillips screwdriver
- #2 flathead screwdriver
- Electric drill and standard bits

**Please read these instructions carefully before beginning installation.**

# Stylmark Installation Instructions: 6801X8 LED Cabinet Lighting

## Step-by-Step Instructions – Mount Bracket:

1. Use the reflector assembly to determine the location of the mount bracket on the cabinet end(s). Mark and drill pilot holes for the #6 x 3/4" (19mm) screws (included in the accessory package). **See Figure 2.**
2. Route a minimum of 1/4" x 1/4" (6mm x 6mm) grooved channel on the inside of the cabinet end. The channel provides a wireway for the low voltage wiring from the reflector to the location of the power supply. **See Figure 3.**
3. Fasten the mount bracket(s) using the #6 x 3/4" (19mm) screws (included in the accessory package). **See Figure 2.**
4. If not already connected, locate the low voltage wiring harness and plug into the first LED module making sure that it is aligned with the connector on the module. The snap feature on the wiring harness connector should lock on the connector catch on the module. **See Figure 4.**
5. Carefully lower the reflector assembly onto the mount bracket(s) and secure using the #6-32 x 5/16" (8mm) machine screws (included in the accessory package). **See Figure 5.**

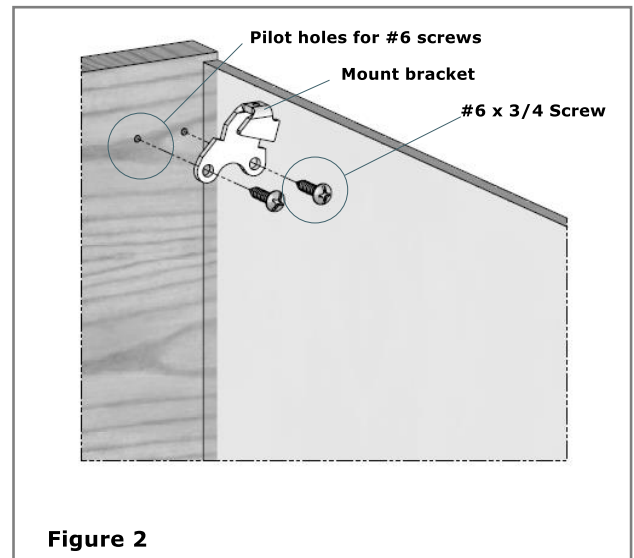


Figure 2

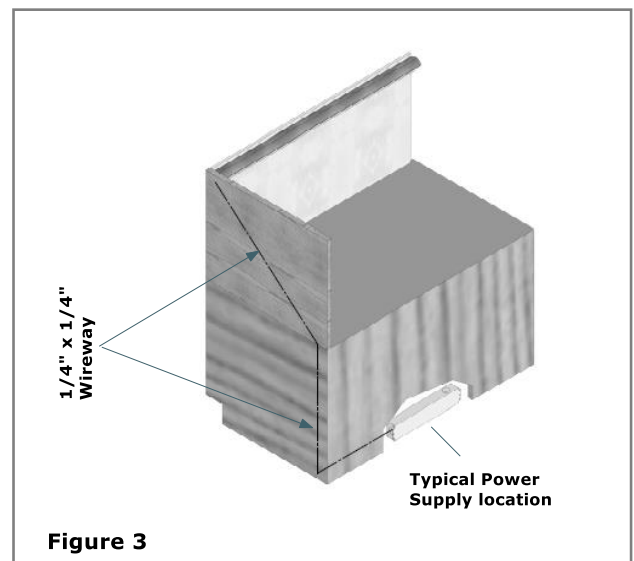


Figure 3

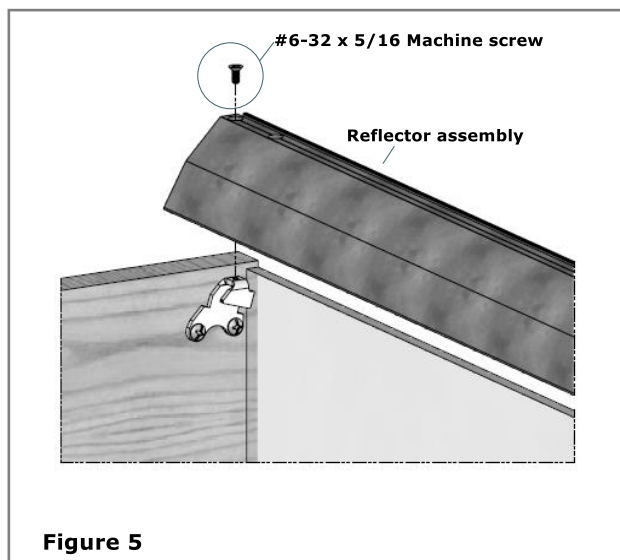


Figure 5

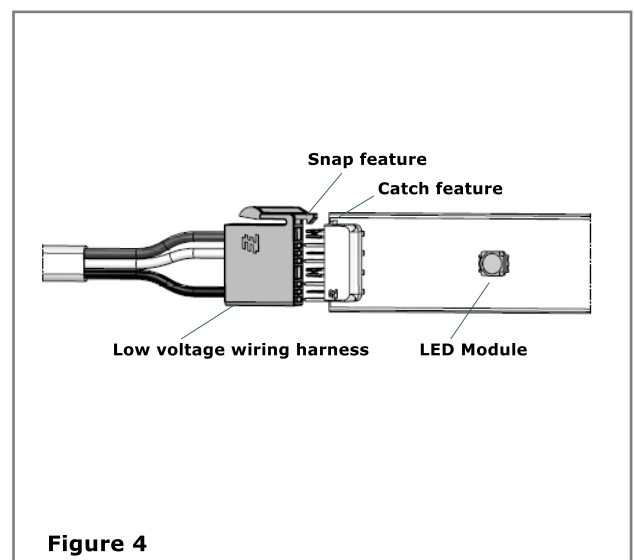


Figure 4

# Stylmark Installation Instructions: 6801X8 LED Cabinet Lighting

## Step-by-Step Instructions – Mount Bracket cont.:

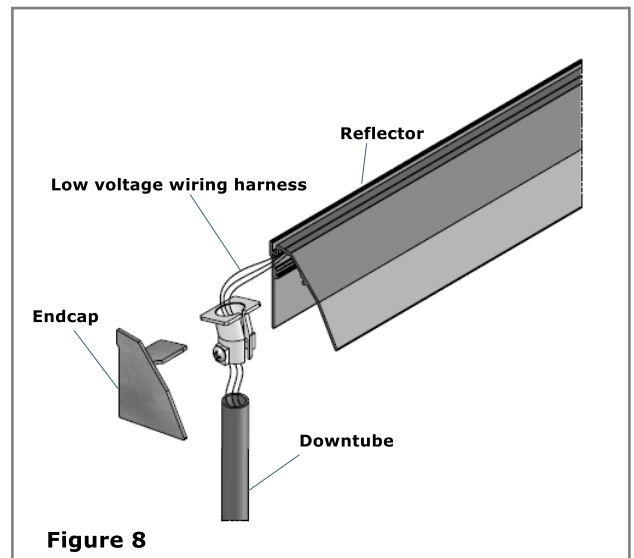
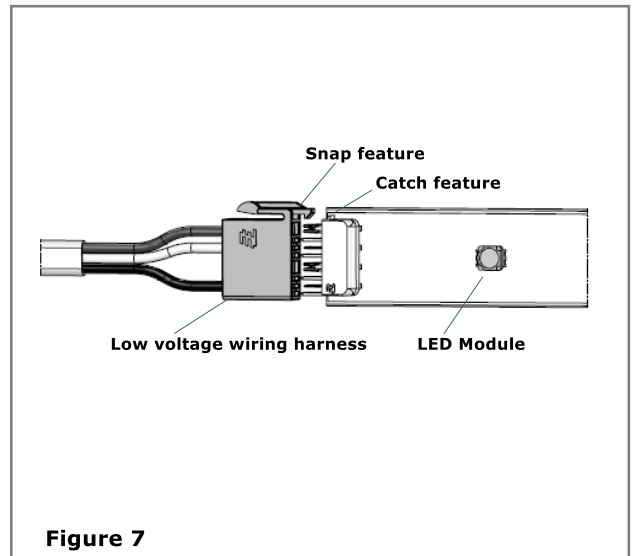
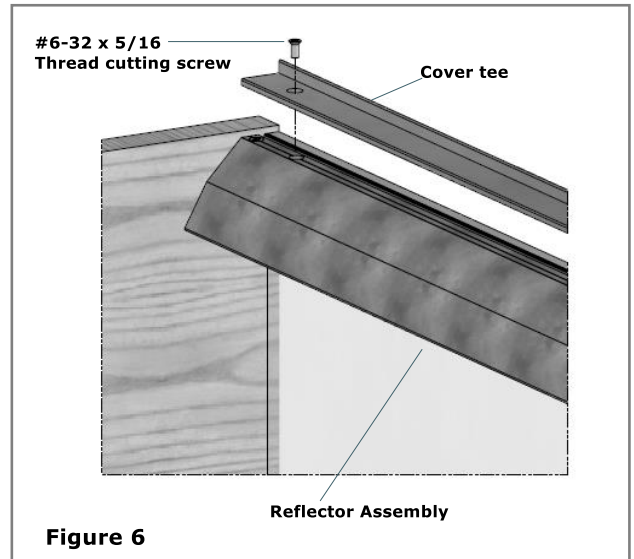
- Route the low voltage wiring harness through the routed wireway to the installed power supply.
- Make the wiring connections as shown on the last page of this document.
- Install the cover tee (optional) over the top of the reflector and attach through the extruded screw slot that runs the length of the reflector shell. Use the #6-32 x 5/16" (8mm) thread cutting screws (included in the accessory package). **See Figure 6.**
- After installation is complete, remove the protective tape from the face of the LED modules inside the reflector.

### Notes:

- The installer determines the power supply mounting location. Be sure to provide for adequate free air movement around the power supply (minimum area of 22" (56cm) x 17" (43cm) x 3-1/2" (9cm) is required).
- The included low voltage wiring harness is 156" (3.96m) and should not be lengthened.

## Step-by-Step Instructions – Rigid Downtube Assembly

- If not already connected, locate the low voltage wiring harness and plug into the first LED module making sure that it is aligned with the connector on the module. The snap feature on the wiring harness connector should lock on the connector catch on the module. **See Figure 7.**
- Endcaps and downtube connectors are already installed on the reflector. Cut the downtube(s) to desired length, de-burr any sharp edges. Feed the wires of the low voltage wire harness thru the end of the downtubes (if required) and secure the downtube to the downtube connector. **See Figure 8.**



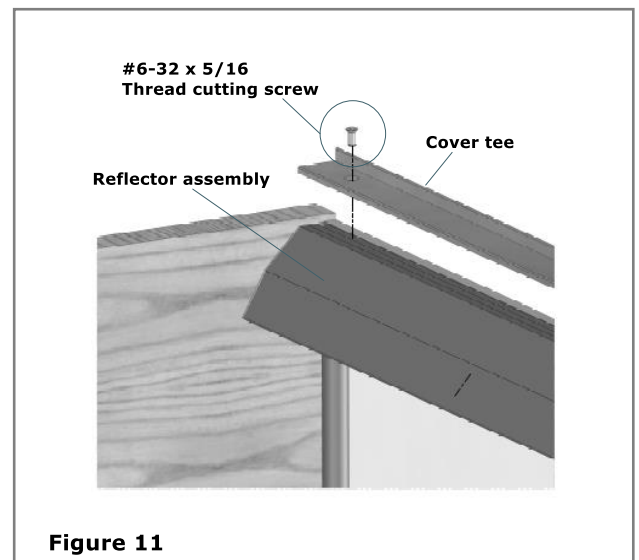
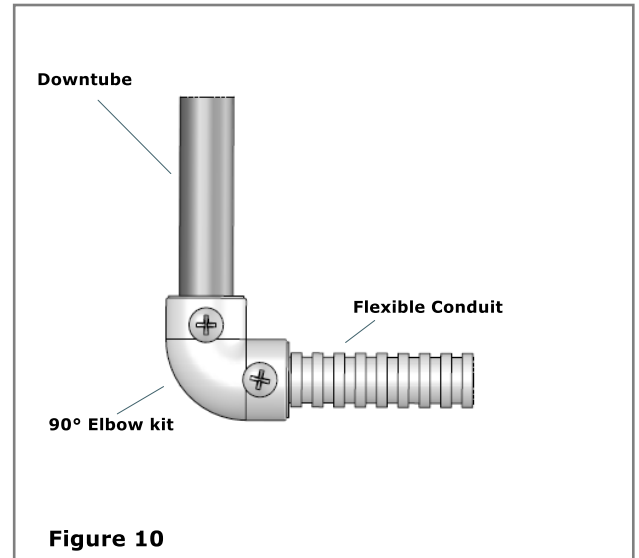
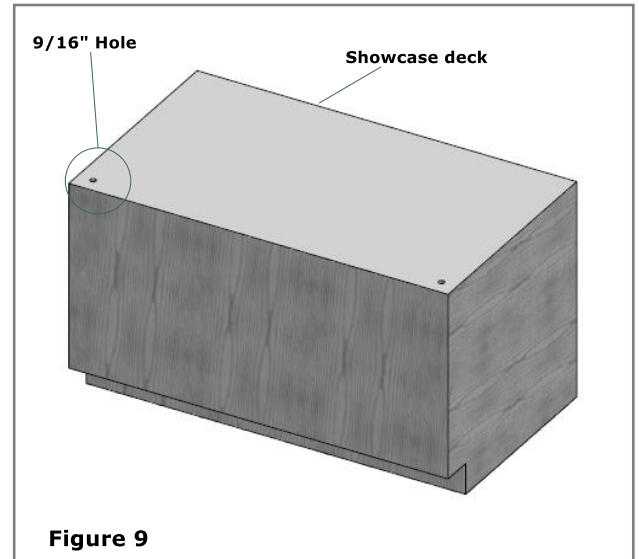
# Stylmark Installation Instructions: 6801X8 LED Cabinet Lighting

## Step-by-Step Instructions – Rigid Downtube Assembly cont.:

3. Use the reflector assembly with the downtubes attached to determine the location of the holes for the downtubes in the showcase deck. Mark and drill 9/16" (8mm) diameter holes. **See Figure 9.**
4. Secure the reflector assembly to the showcase.
5. Route the low voltage wiring harness from the bottom of the downtube through the 90 degree elbow kit and the flexible conduit. **See Figure 10.**
6. Mount the power supply in an accessible location (see note below).
7. Make the wiring connections as shown on the last page of this document.
8. Install the cover tee (optional) over the top of the reflector and attach through the extruded screw slot that runs the length of the reflector shell. Use the #6-32 x 5/16" (8mm) thread cutting screws (included in the accessory package). **See Figure 11.**
9. After installation is complete, remove the protective tape from the face of the LED modules inside the reflector.

### Notes:

- The installer determines the power supply mounting location. Be sure to provide for adequate free air movement around the power supply (minimum area of 22" (56cm) x 17" (43cm) x 3-1/2" (9cm) is required).
- The included low voltage wiring harness is 156" (3.96m) and should not be lengthened.



Sheet# 971828  
Revision B (11/20)

# Stylmark Installation Instructions: 6801X8 LED Cabinet Lighting

## Power Supply Information

### Number of LED Light Modules per Power Supply

Light Engine Type	100W (P/N 230982)
24V Systems	Maximum Number of Modules <sup>2</sup>
MIG 24V Deluxe <sup>1</sup>	16 + 0
MIG 24V Premium <sup>1</sup>	8 + 1

<sup>1</sup> - Modules are designed to be powered from Constant Voltage power supplies only.

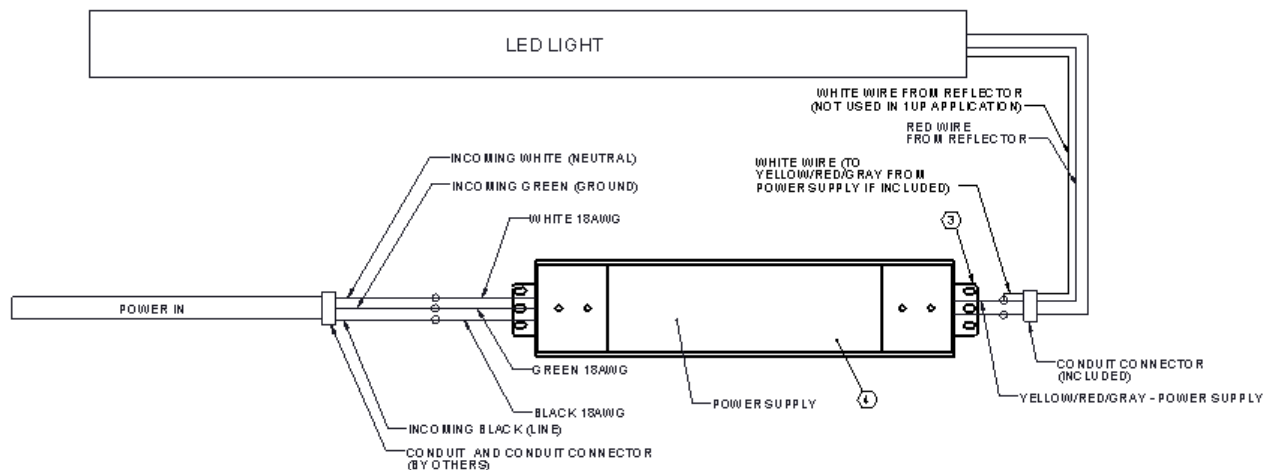
<sup>2</sup> - Number of 12" modules + number of 6" modules which can be powered either from a single wire feed or in multiple parallel branches.

## Wiring Instructions

### Notes:

- 1) The installer determines the power supply mounting location.
- 2) A minimum volume of 22" (56cm) x 17" (43cm) x 3-1/2" (9cm) is required for power supply mounting.
- 3) The low voltage cable is 156" (3.96 m).

**Figure 12**



### NOTES:

1. CONDUIT CONNECTORS TO BE SECURED TO END MOUNT PLATES INCLUDED WITH THE POWER SUPPLY OR TO KNOCK OUTS ON JUNCTION BOX.
2. SECURE CONDUIT AND HARNESS ASSEMBLY WITH CONDUIT CONNECTORS.
- ③ MOUNT POWER SUPPLY USING HOLES ON INCLUDED END PLATES (SCREWS NOT PROVIDED).
- ④ NO BALLAST BOX REQUIRED, POWER SUPPLY UNIT IS SELF CONTAINED
5. LOW VOLTAGE CABLE FROM LED LIGHT WILL BE NON-JACKETED WHEN SUPPLIED AS A DOWNTUBE MOUNT OR WILL BE JACKETED FOR ALL OTHER APPLICATIONS.
6. WHITE WIRE FROM REFLECTOR WILL NOT BE INCLUDED FOR APPLICATIONS WITH 1UP LED MODULES.