



# Installation Instructions

Admire LED Mirror  
Model: 620105

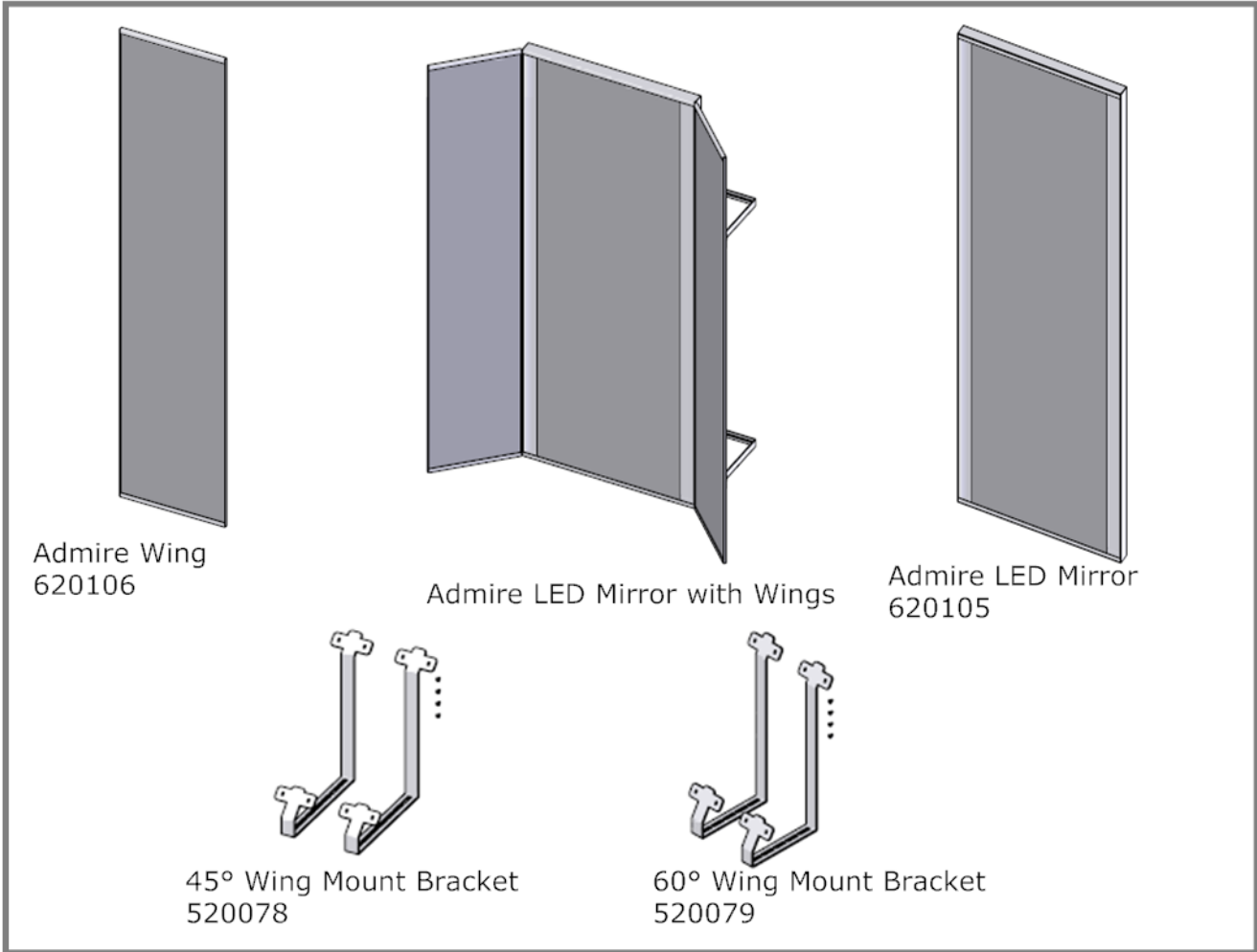


Figure 1

## INSTALLATION INSTRUCTIONS

### Before you begin

These instructions illustrate the Stylmark® Admire LED Mirror. If you have questions during assembly, call 800-328-2495 to request technical assistance. This installation recommends two people to install.

### Tools you'll need

- Level
- Tape measure
- Drill and bits
- #2 Phillips screwdriver
- 75 lbs. pullout rated fasteners
- Wiring tools
- Vacuum glass cups

**Please read these instructions carefully before beginning installation.**

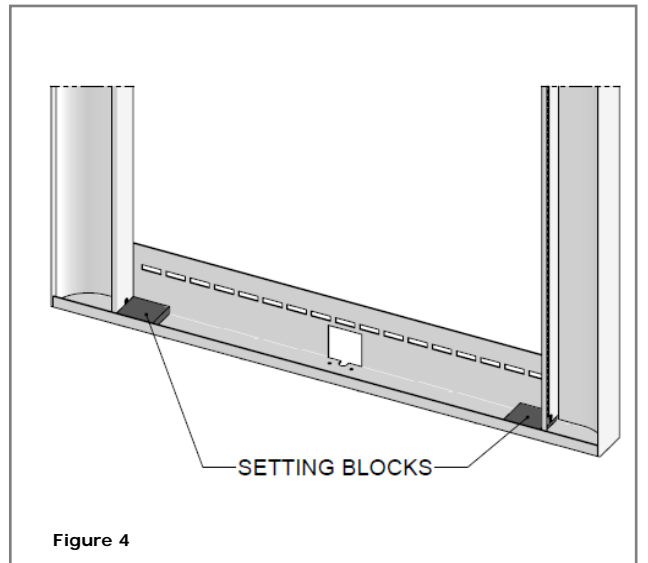
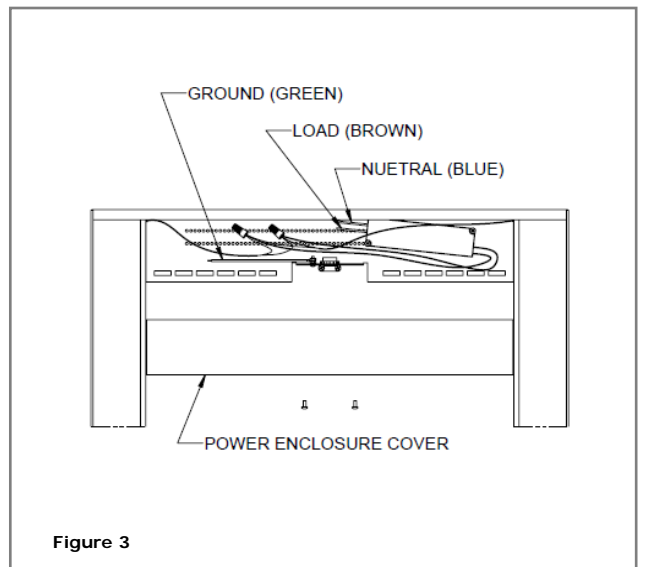
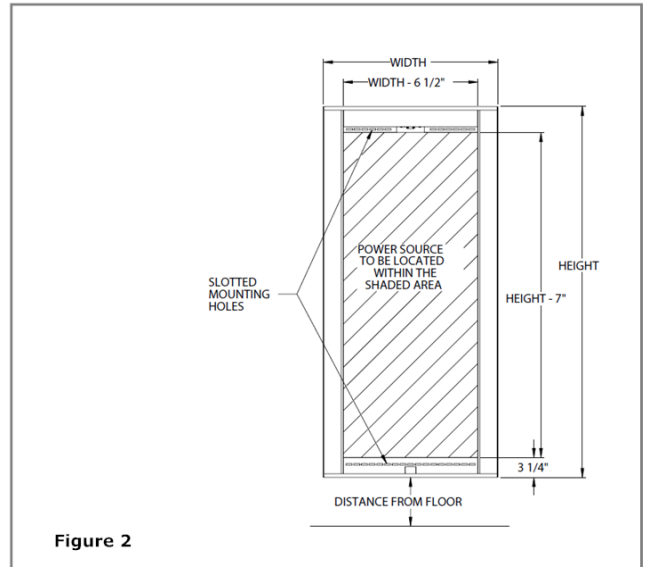
# Stylmark Installation Instructions: Admire LED Mirror

## Getting Started:

Please review the important safety instructions before starting. Installation should be performed by authorized personnel only. This mirror is for commercial use only, intended as a viewing mirror.

## Step-by-Step Instructions – With Hardwired Connection:

1. Remove the product from the box and put the mirror and setting blocks aside.
2. Determine mounting location. Location must have power source location on the wall within the inner area of the fixture. The fixture includes slotted mounting holes located in the top and bottom of the fixture. The distance from floor is to be determined by customer. Stylmark recommends this distance to be a minimum of 8". **See Figure 2**
3. Fasten mirror frame to wall studs or suitable structural location through slotted mounting holes in both the top and bottom of the frame. Use fastening screws with a minimum pullout rating of 75lbs per fastener (obtain locally).  
**Note:** Fixture must be level & plumb.
4. Once metal frame is securely attached to wall, remove the power enclosure cover and connect all wiring per applicable local codes. **See Figure 3**  
When finished, replace the power enclosure cover.
5. Position the setting blocks on the lower edge of the frame. **See Figure 4**
6. Using vacuum glass cups, install the mirror by lifting it up into the top channel, then down into the lower channel and onto the setting blocks. **See Figure 5**



Sheet# 971826  
Revision C (1/17)

# Stylmark Installation Instructions: Admire LED Mirror

## Step-by-Step Instructions – With Plug-in power cord

1. Remove the product from the box and put the mirror and setting blocks aside.
2. Determine mounting location. Location must have a standard 115V 15 amp outlet located within the inner area of the fixture or within 12" from the bottom center of the mirror frame. The fixture includes slotted mounting holes located in the top and bottom of the fixture. The distance from the floor is to be determined by customer. Stylmark recommends this distance to be a minimum of 8". **See Figure 6**

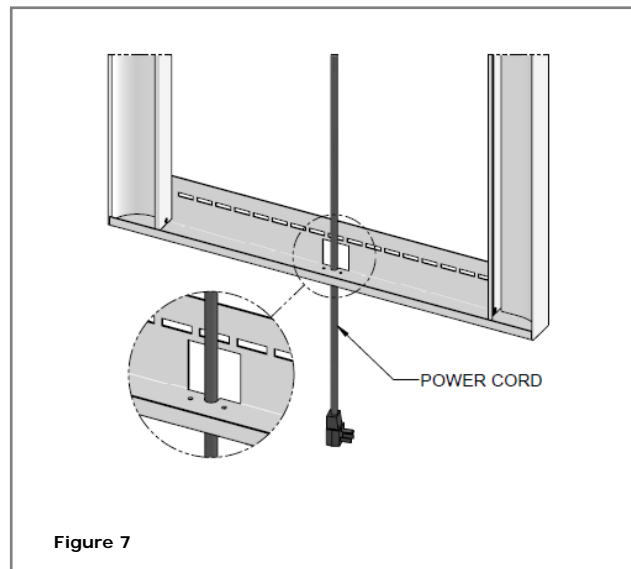
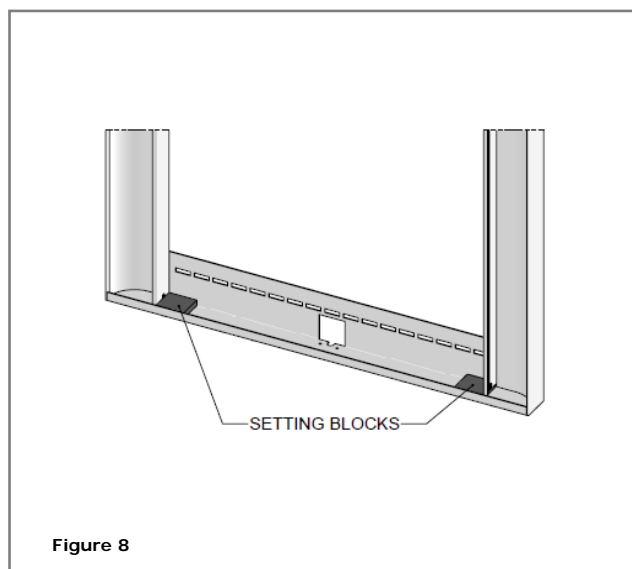
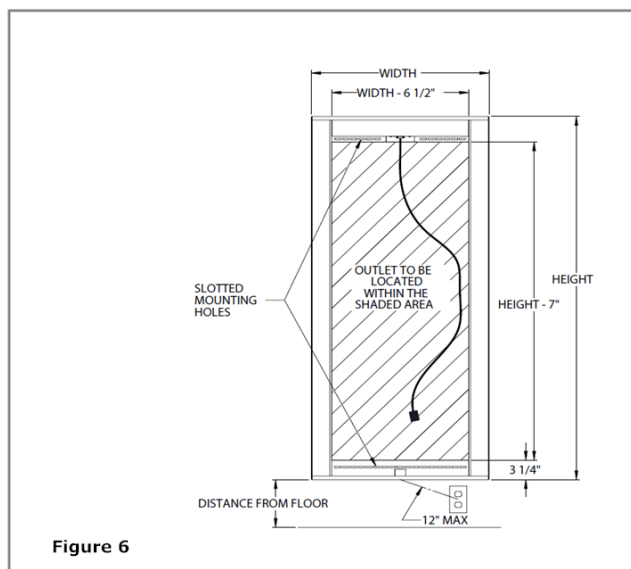
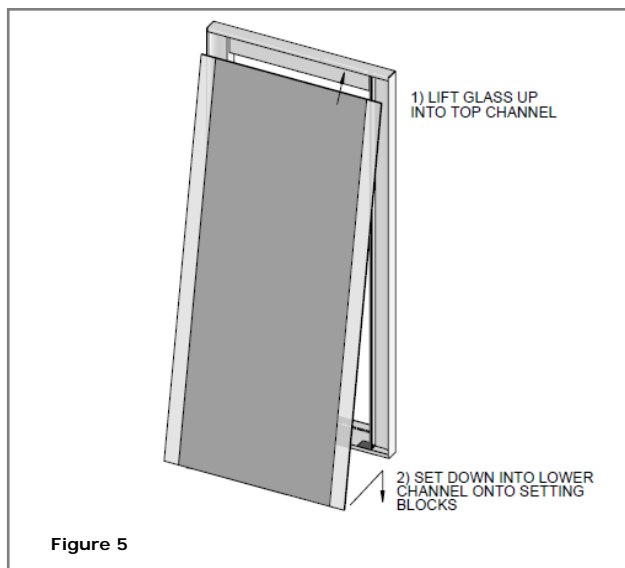
3. Fasten mirror frame to wall studs or suitable structural location through slotted mounting holes in both the top and bottom of the frame (if outlet is located outside of the frame, feed cord through the "mouse hole" before securing to the wall). **See Figure 7**

### See Figure 7

Use fastening screws with a minimum pullout rating of 75lbs per fastener (obtain locally).

**Note:** Fixture must be level & plumb.

4. Once metal frame is securely attached to the wall, plug the cord into the outlet.
5. Position setting blocks on the lower edge of the frame. **See Figure 8**
6. Using vacuum glass cups, install the mirror by lifting it up into the top channel, then down into the lower channel and onto the setting blocks. **See Figure 9**



Sheet# 971826  
Revision C (1/17)

# Stylmark Installation Instructions: Admire LED Mirror

## Step-by-Step Instructions – Wall Cleat Kit Part #520075 (order separately)

1. Refer to Figure 10 for the mounting locations of the upper and lower cleats. Mark a level line at these locations.  
**See Figure 10**
2. Fasten the upper and lower cleats to the wall or suitable structural location with the top edge of the part on the lines from step 1. **See Figure 1**  
Use fastening screws with a minimum pullout rating of 75lbs per fastener (obtain locally).  
**Note: Cleats must be level and plumb**
3. Set frame onto upper cleat and secure frame to lower cleat with screws provided. **See Figure 12**

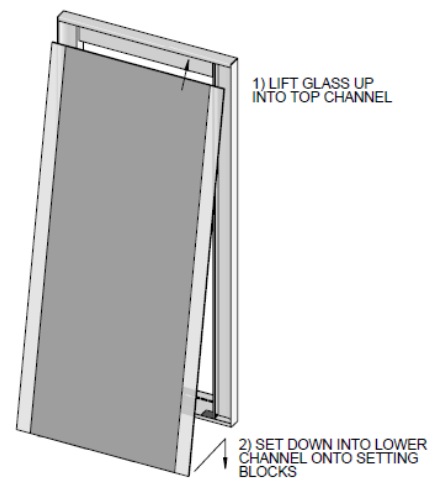


Figure 9

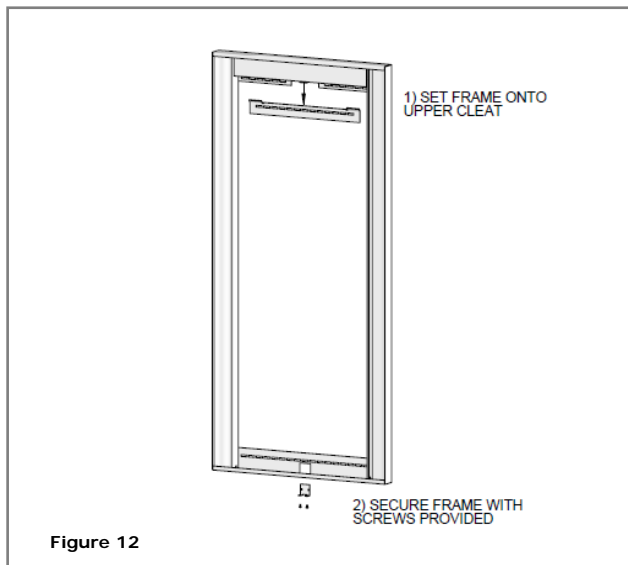


Figure 12

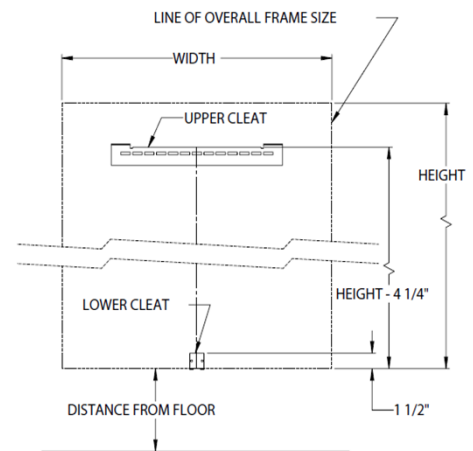


Figure 10

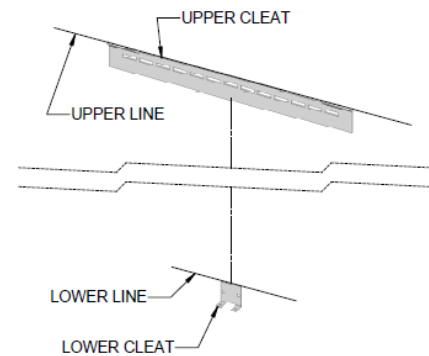


Figure 11

Sheet# 971826  
Revision C (1/17)

# Stylmark Installation Instructions: Admire LED Mirror

## Step-by-Step Instructions – Wings

1. With Admire Mirror pre-installed, measure down from the top surface of the Admire Mirror making one small pencil location mark at 12-7/8". Then measure up from the bottom edge and make a mark at 11-29/32". Using a carpenter's square, draw a perpendicular line from the side of the Admire Mirror at each of the pencil location marks. **Note:** the perpendicular line will be used for lining up the top edge of the wall mount brackets. **See Figure 13**
2. Locate the top edge of the wall mount bracket flush with the perpendicular lines and flush to the side of the Admire Mirror. Once located, fasten each wall mount bracket through the slotted mounting holes using fasteners with a minimum pullout rating of 75lbs per fastener (obtain locally). **See Figure 13**
3. With the wall mount brackets securely fastened in place, carefully lift and lower the mirror wing onto the wall mount brackets making sure it is flush with the four wall mount bracket tabs and in line with the four frame brackets. **See Figure 14**
4. Once the mirror wings are in place on the wall mount bracket, to minimize the gap between the mirror and the wing and to secure the wing in place, gently push the wing frame edge towards the pre-installed Admire Mirror. With slight pressure applied to the wing frame edge, fasten the set screws through the frame bracket and into the wall mount bracket tabs. **See Figure 15**

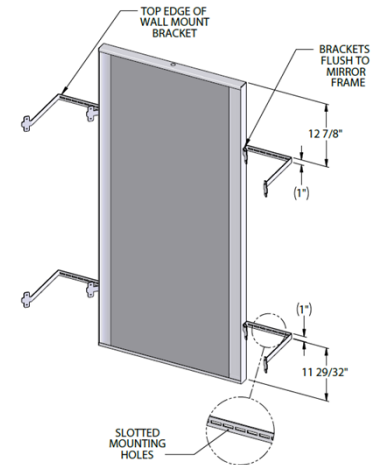


Figure 13

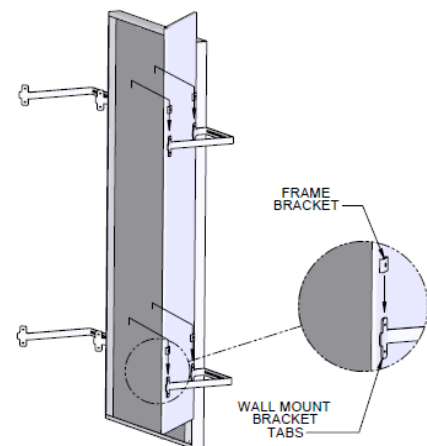


Figure 14

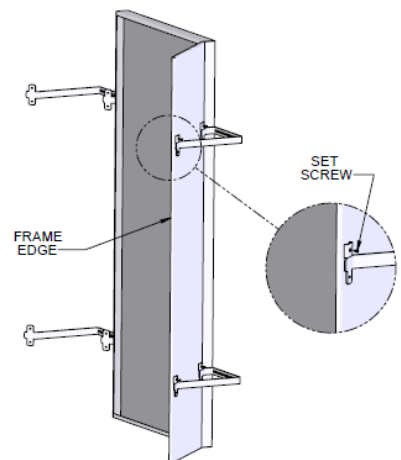


Figure 15

Sheet# 971826  
Revision C (1/17)

# Stylmark Installation Instructions: Admire LED Mirror

## Step-by-Step Instructions – Power Supply Replacement:

1. Turn off power to mirror.
2. Use vacuum glass cups to remove mirror from fixture by lifting up and swinging the bottom of the mirror out of the frame and set the glass aside.
3. To replace the power supply, proceed by removing the power enclosure cover, disconnect the power supply from the high voltage side, then the low voltage side.
4. Remove and replace the power supply and make all electrical connections.  
**Note: Polarity must be followed**
5. Replace power enclosure cover and mirror.

## Step-by-Step Instructions – LED Replacement

1. Turn off power to mirror.
2. Use vacuum glass cups to remove mirror from fixture by lifting up and swinging the bottom of the mirror out of the frame and set the glass aside.
3. To replace the LED strip, proceed by removing the power enclosure cover and disconnect the low voltage side from the power supply.
4. The LED strips are attached to a magnetic strip. Simply peel from the fixture and pull the wire through the grommet.
5. Position the new strip so that it is against the front lip of the fixture. Next, feed the wire through the grommet and reconnect to the power supply.  
**Note: Polarity must be followed.**
6. Replace power enclosure cover and mirror.

### **IMPORTANT SAFETY INSTRUCTIONS** **SAVE THESE INSTRUCTIONS**

A) READ ALL INSTRUCTIONS BEFORE USING THIS PRODUCT

B) **DANGER** - TO REDUCE THE RISK OF ELECTRICAL SHOCK: CONNECT THIS FURNISHING TO A PROPERLY GROUNDED CIRCUIT

C) **WARNING** – TO REDUCE THE RISK OF BURNS, FIRE, ELECTRICAL SHOCK OR INJURY TO PERSON:  
a. UNPLUG OR SWITCH OFF POWER BEFORE REMOVING OR REINSTALLING ANY PARTS.  
b. USE THIS PRODUCT FOR ITS INTENDED PURPOSE AS DESCRIBED IN THESE INSTRUCTIONS. DO NOT USE ANY ATTACHMENTS NOT RECOMMENDED BY THE MANUFACTURER.  
c. DO NOT CLEAN BY SPRAYING CLEANERS DIRECTLY ON OR NEAR THE LAMPS OF ITS ELECTRICAL CONNECTIONS NEAR THE REAR OF THE PRODUCT  
d. DO NOT ALLOW SPILLED LIQUID TO FALL INTO THE LAMP AREA OR THE CONNECTION BOX AT THE REAR OF THE PRODUCT  
e. DO NOT USE OUTDOORS  
f. ALWAYS DISABLE POWER TO THIS PRODUCT PRIOR TO SERVICING.

D) **RISK OF INJURY** – KEEP CHILDREN FROM CLIMBING ON THIS DISPLAY

E) **GROUNDING INSTRUCTIONS** - THIS PRODUCT MUST BE CONNECTED TO A GROUNDED METAL, PERMANENT WIRING SYSTEM.

F) **DANGER** - IMPROPER CONNECTION OF THE EQUIPMENT GROUNDING CONDUCTOR CAN RESULT IN RISK OF ELECTRICAL SHOCK. CHECK WITH QUALIFIED ELECTRICIAN OR SERVICEMAN IF YOU ARE IN DOUBT WHETHER PRODUCT IS CORRECTLY GROUNDED.

## **Step-by-Step Instructions – Cleaning:**

1. Turn off power to mirror.
2. Clean mirror with appropriate cleaners before restoring power.
3. Turn on power to mirror.

Sheet# 971826  
Revision C (1/17)