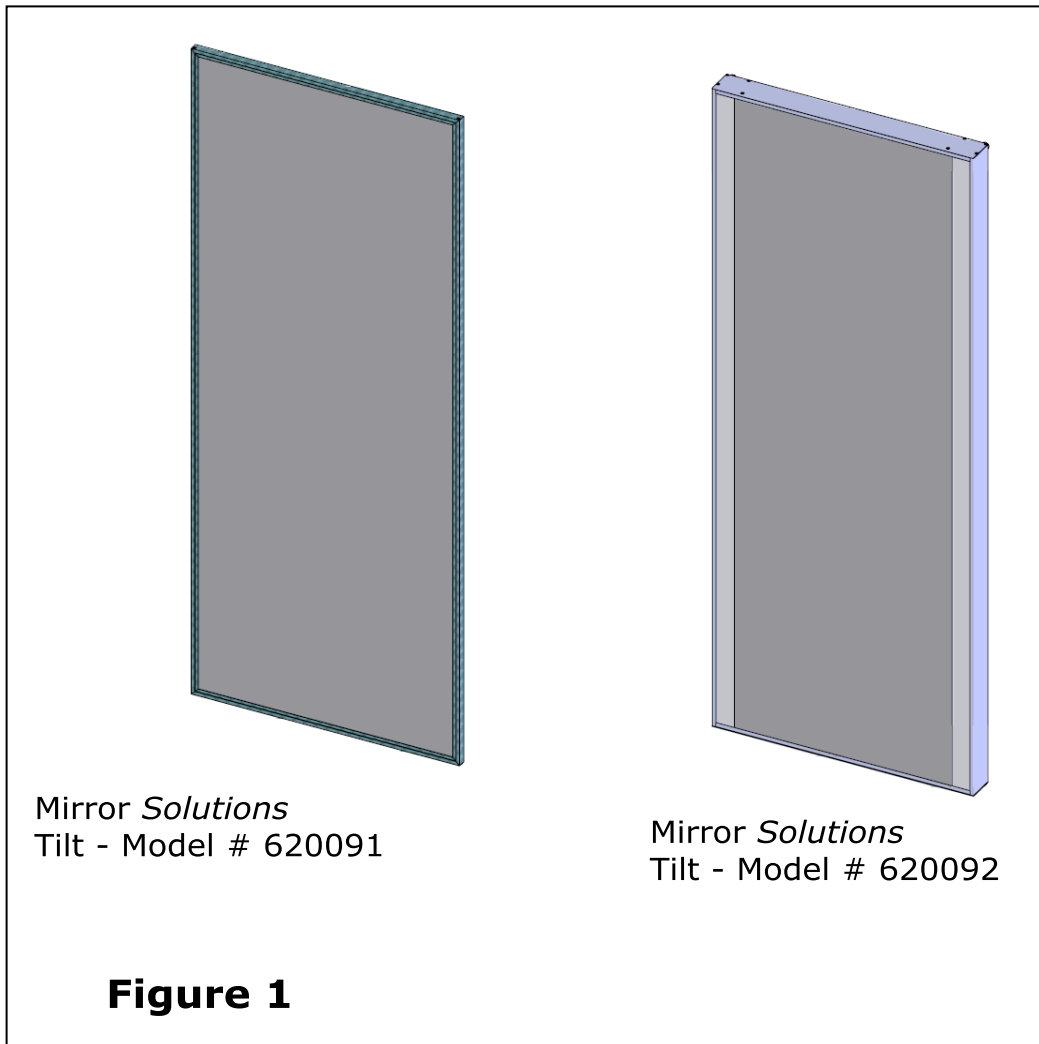




Installation Instructions

Mirror *Solutions* **Tilt** Models 620091 & 960092



INSTALLATION INSTRUCTIONS

Before you begin

These instructions illustrate the Stylmark® Mirror *Solutions* - Tilt. If you have questions during assembly, call 800-328-2495 to request technical assistance. This installation requires a minimum of two people to assemble.

Tools you'll need

- Level
- Tape Measure
- #2 Phillips screw driver
- Drill & bits
- 75 lbs. pullout rated fasteners

Please read these instructions carefully before beginning installation.

Getting Started:

Please review important safety instructions before starting.

Determine the location for installing the mirror assembly.

Installation should be performed by authorized personnel only. The Mirror Solutions – Tilt - Model 620091 and 960092 are for commercial use only, intended as a viewing mirror.

Step-by-Step Instructions:

1. Before installing Tilt Model #620092, please verify there is an electrical outlet directly behind the mounting location. **(See Figure 2)**
2. Determine mounting location. The wall mount bracket includes slotted mounting holes to ensure a level and stable attachment. **(See Figure 3)**
3. Depending on the mirror size height being installed, position the mirror at approximately 8 degrees from the mirror to the wall. Stylmark recommends between 8" to 11" from the wall to the mirror at the floor. **(See Figure 4)**
4. With the mirror in the correct position at the floor and tilted to the wall at the top. Mark a horizontal line 3 inches down from the top of the mirror to mark the location of the wall mount bracket. Slide the mirror to the side and fasten wall mount bracket at marked location using fastening screws with a minimal pull out rating of 75 lbs. per fastener (obtain locally). **(See Figure 5)**
5. With the wall mount bracket in place, lift the mirror up and lower down at an angle to join on to the wall mount bracket. **(See Figure 6)**
6. With the mirror joined at the top to the wall, check position of the mirror to the wall and adjust if needed. Now fasten the floor bracket to the floor using the correct floor anchors (obtain locally). **(See Figure 7)**
7. Plug unit into the switch electrical outlet.

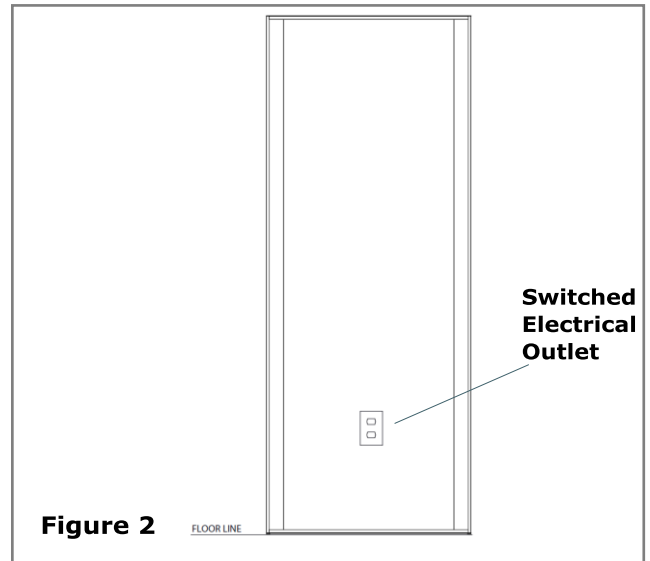


Figure 2

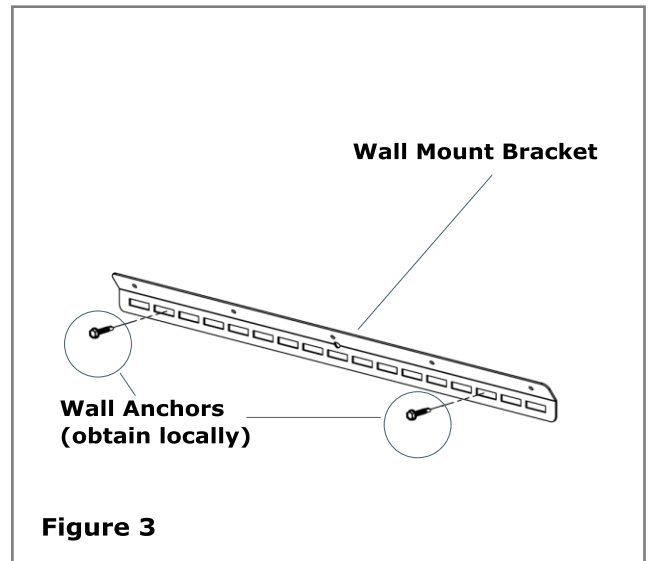


Figure 3

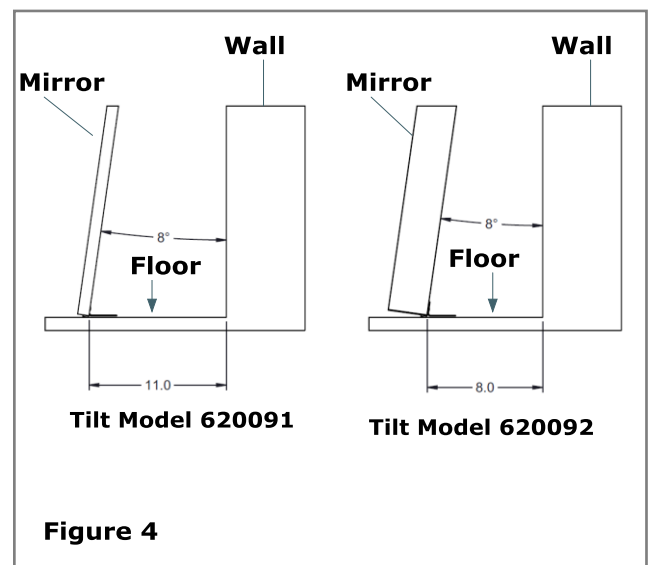


Figure 4

IMPORTANT SAFETY INSTRUCTIONS
SAVE THESE INSTRUCTIONS

A) READ ALL INSTRUCTIONS BEFORE USING THIS PRODUCT

B) **DANGER** - TO REDUCE THE RISK OF ELECTRICAL SHOCK: CONNECT THIS FURNISHING TO A PROPERLY GROUNDED CIRCUIT

C) **WARNING** - TO REDUCE THE RISK OF BURNS, FIRE, ELECTRICAL SHOCK OR INJURY TO PERSON:

- a. UNPLUG OR SWITCH OFF POWER BEFORE REMOVING OR REINSTALLING ANY PARTS.
- b. USE THIS PRODUCT FOR ITS INTENDED PURPOSE AS DESCRIBED IN THESE INSTRUCTIONS. DO NOT USE ANY ATTACHEMENTS NOT RECOMMENDED BY THE MANUFACTURER.
- c. DO NOT CLEAN BY SPRAYING CLEANERS DIRECTLY ON OR NEAR THE LAMPS OR ITS ELECTRICAL CONNECTIONS NEAR THE REAR OF THE PRODUCT
- d. DO NOT ALLOW SPILLED LIQUID TO FALL INTO THE LAMP AREA OR THE CONNECTION BOX AT THE REAR OF THE PRODUCT
- e. DO NOT USE OUTDOORS
- f. ALWAYS DISABLE POWER TO THIS PRODUCT PRIOR TO SERVICING.

D) RISK OF INJURY - KEEP CHILDREN FROM CLIMBING ON THIS DISPLAY

E) **GROUNDING INSTRUCTIONS** - THIS PRODUCT MUST BE CONNECTED TO A GROUNDED METAL, PERMANENT WIRING SYSTEM.

F) **DANGER** - IMPROPER CONNECTION OF THE EQUIPMENT GROUNDING CONDUCTOR CAN RESULT IN RISK OF ELECTRICAL SHOCK. CHECK WITH QUALIFIED ELECTRICIAN OR SERVICEMAN IF YOU ARE IN DOUBT WHETHER PRODUCT IS CORRECTLY GROUNDED.

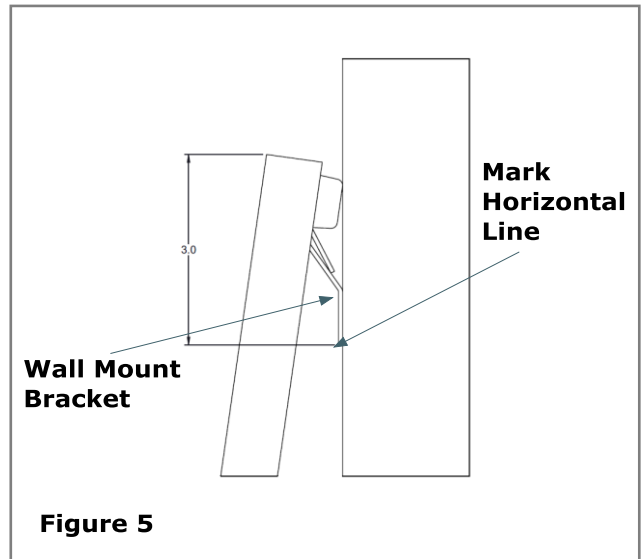


Figure 5

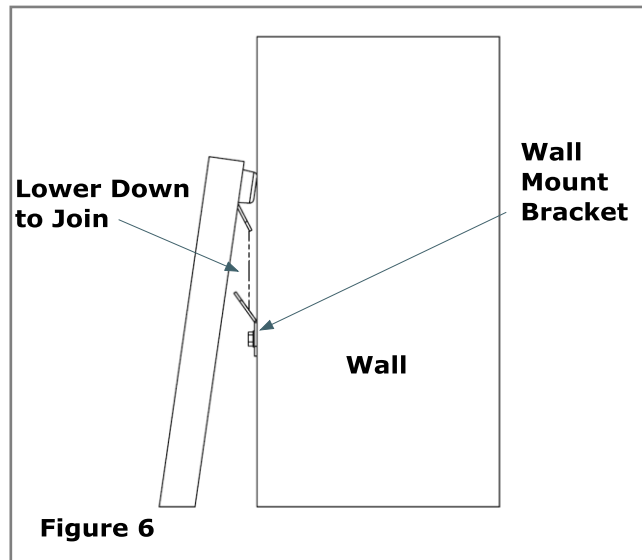


Figure 6

Step-by-Step Instructions – Cleaning:

1. Turn off power to mirror from switched electrical outlet.
2. Clean mirror with appropriate cleaners before restoring power.
3. Turn on power to mirror from switched electrical outlet.

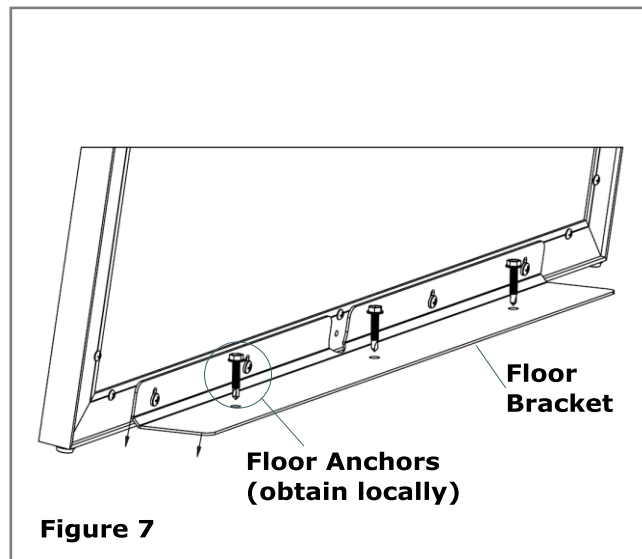


Figure 7

Step-by-Step Instructions – Power Supply Replacement:

1. Turn off power to mirror by removing plug from receptacle.
2. Remove floor anchors from floor bracket.
See Figure 7.
3. Clear and prepare protected floor space to lay mirror face down prior to removing the mirror from the wall.
4. Carefully lift mirror from wall mount bracket and lay face down on prepared floor space. **See Figure 6.**
5. To replace the power supply, proceed by removing the top cover screws, top cover, floor bracket screws, floor bracket, wall mount screws and wall mount from mirror back frame and slide back panel out towards the top opening exposing the power tray cover. **See Figure 8.**
6. Remove the power tray screw and power tray cover to expose the power supply. Then remove and replace with new power supply. **See Figure 9.** Re-assemble mirror in reverse order with the final step of plugging the mirror into the power receptacle.

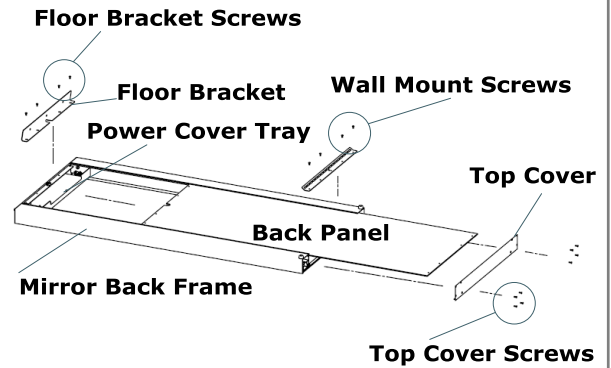


Figure 8

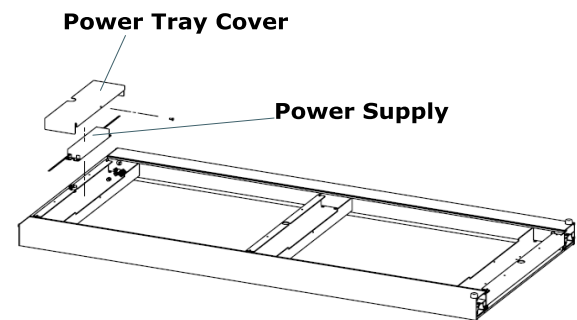


Figure 9

Step-by-Step Instructions – LED Replacement:

1. Turn off power to mirror by removing plug from receptacle
2. Remove floor anchors from floor bracket.
See Figure 7.
3. Clear and prepare protected floor space to lay mirror face down prior to removing the mirror from the wall.
4. Carefully lift mirror from wall mount bracket and lay face down on prepared floor space.
See Figure 6.
5. To replace LED's, proceed by removing the bottom cover screws, bottom cover, floor bracket screws, floor bracket, wall mount screws and wall mount from the mirror back frame and slide back panel completely out towards the bottom opening and set aside. **See Figure 10.** Now disconnect the LED wire leads off the defective LED assembly by pulling it out toward the bottom.
6. Install new LED assembly by sliding back into position of old LED assembly and reconnect LED wire leads. Re-assembly mirror in reverse order with the final step of plugging the mirror into the power receptacle.

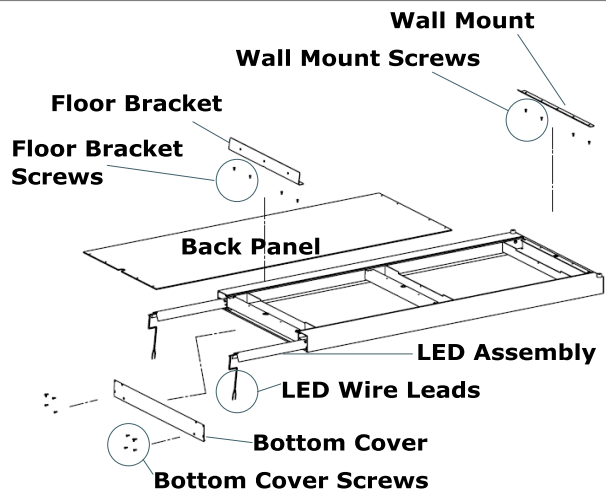


Figure 10