



stylmark®

Installation Instructions

Models 610190, 610191, & 610192 Rolling Door Assembly – Wood End

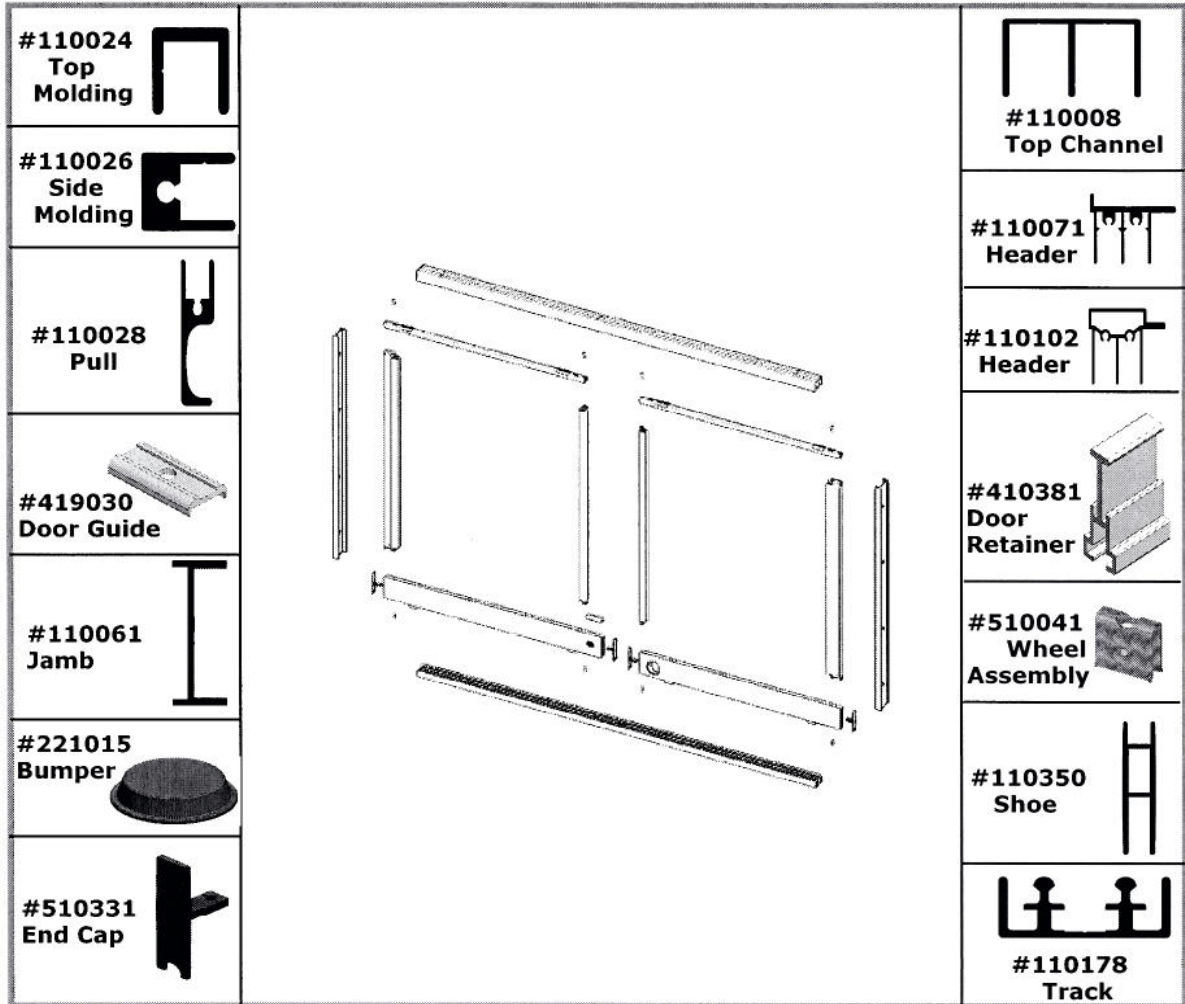


Figure 1

INSTALLATION INSTRUCTIONS

Before you begin

These instructions illustrate the Stylmark® Rolling Door Assembly for Wood End Application (Models 610190, 610191 & 610192). If you have questions during assembly, call 800-328-2495 to reach technical assistance. This package does not include glass, wood screws or other door panels, which are necessary for complete assembly.

Tools you'll need

- #2 Phillips screwdriver
- #6 and #8 Wood screws
- (2) Regular screwdrivers
- Scissors
- Rubber mallet
- Drill & bits
- #8 Wood screws (obtain locally)
- RTV Silicone (obtain locally if needed)

Please read these instructions carefully before beginning installation.

Stylmark Installation Instructions: Models 610190, 610191 & 610192

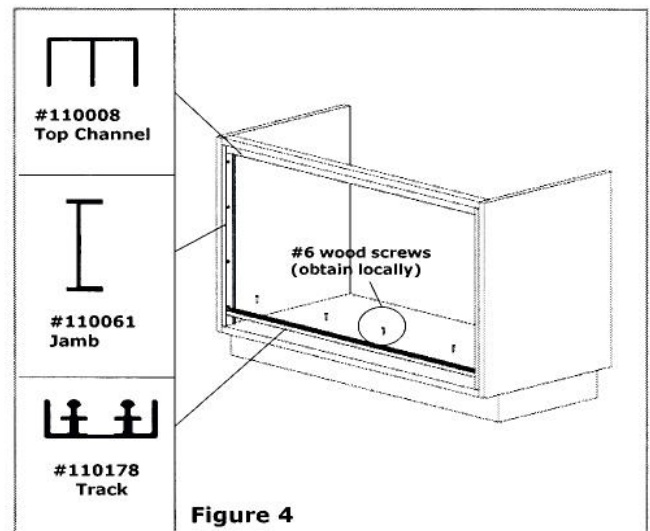
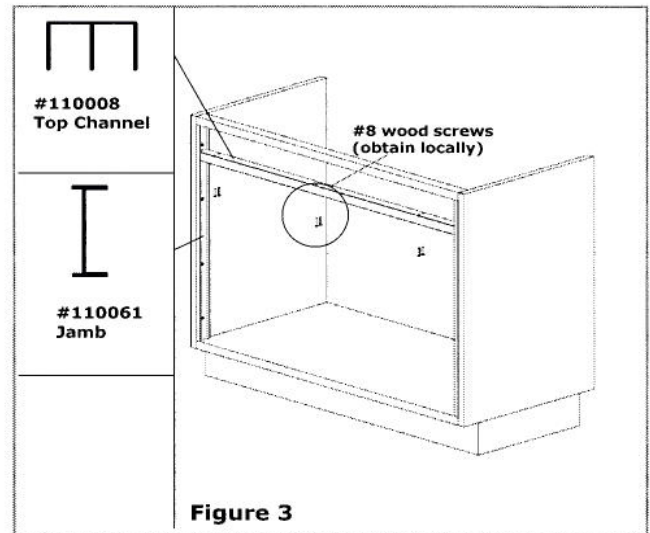
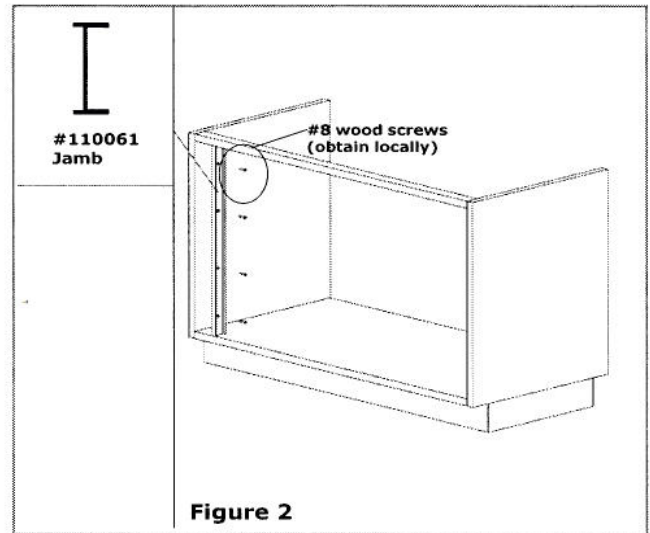
Rolling Door Assembly – Wood End

Getting Started:

These instructions are for pre-fabricated rolling door assemblies. If assembly was not ordered pre-fabricated, the stock length extrusions will need to be fabricated by the installer to meet the required dimensions of the project.

Step-by-Step Instructions – Jamb Option:

1. Attach jamb to side of case with #8 wood screws (obtain locally). **See Figure 2.** For models #610188 or 610189, attach jamb to header then attach jamb to side of case with #8 wood screws (obtain locally).
2. Attach rolling door top channel to the underside of the wood case with #8 wood screws (obtain locally). **See Figure 3.**
3. Attach track to the bottom of the wood case with #6 wood screws (obtain locally). **See Figure 4.**
4. Remove the adhesive backing from the rubber bumpers (part #221015) and attach them to side jamb uprights and / or onto the center mullion (#110106 installed if over 62"). **See Figure 5.**
5. Assemble the doorframe pieces. **See Figure 6.** Mark each piece for left or right door panel.
6. Cut lengths of black vinyl glazing tape to fit along all four edges of the door panel. **See Figure 6.**
7. Fit the shoe onto the door panel and tap into place with a rubber mallet. **See Figure 7.**
Caution: If door height is taller than 36", RTV Silicone to the glass instead of glazing tape for extra stability.
8. Make sure the glazing materials fit evenly. Trim if necessary.
9. Repeat steps 5 through 8 for the other door panel.



Stylmark Installation Instructions: Models 610190, 610191 & 610192 Rolling Door Assembly – Wood End

Step-by-Step Instructions – No Jamb Option:

1. If no jambs were ordered, attach rolling door top channel to the underside of the wood case with #8 wood screws (obtain locally). **See Figure 3.**
2. Attach channel to bottom of wood case with #6 wood screws (obtain locally). **See Figure 4.**
3. Assemble the doorframe pieces. **See Figure 6.** Mark each piece for left or right door panel.
4. Cut lengths of black vinyl glazing tape to fit along all four edges of the door panel. **See Figure 6.**
5. Fit the shoe onto the door panel and tap into place with a rubber mallet. **See Figure 7.**
Caution: If glass height is taller than 36", RTV Silicone to the glass instead of glazing tape for extra stability.
6. Make sure the glazing materials fit evenly. Trim if necessary.
7. Repeat steps 3 through 6 for the other door panel.

