



# Installation Instructions

Model 610165  
Rolling Door Assembly

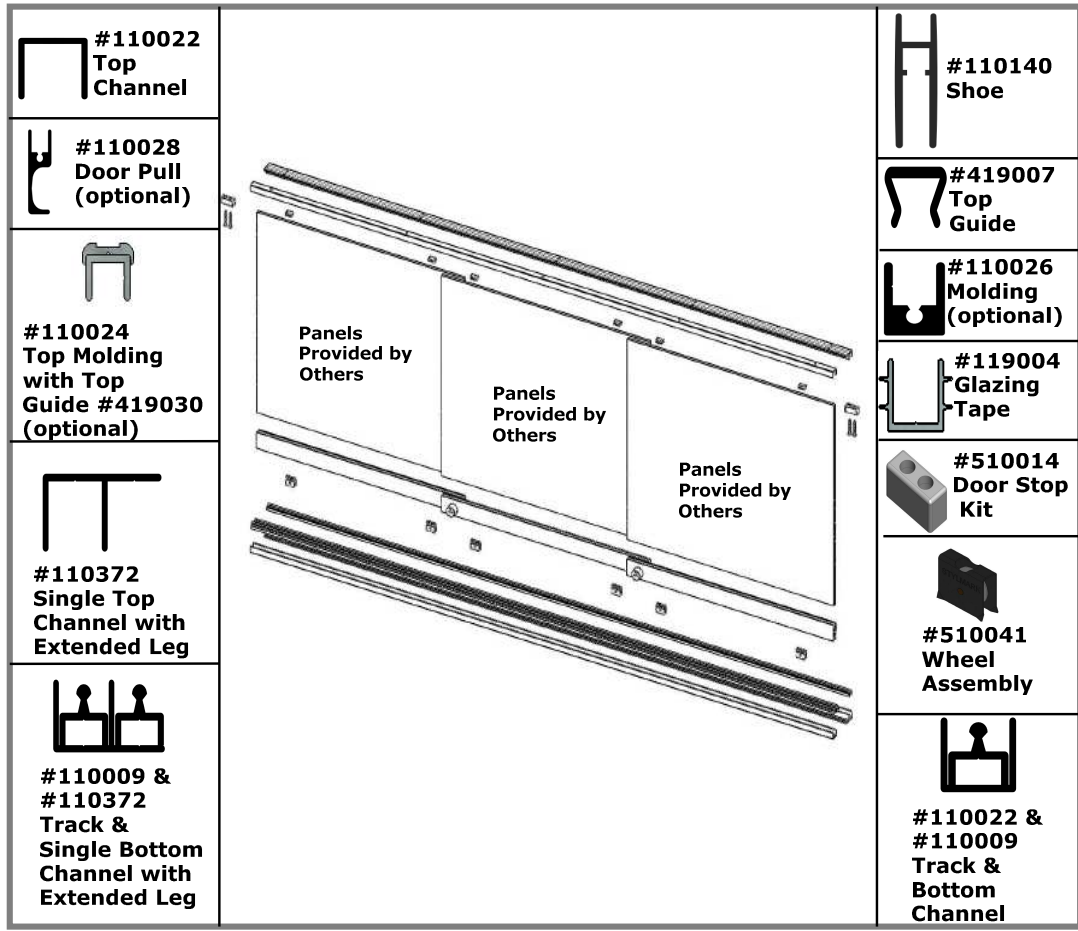


Figure 1

## INSTALLATION INSTRUCTIONS

### Before you begin

These instructions illustrate the Stylmark® Rolling Door Assembly for Wood End Application (Model 610165). If you have questions during assembly, call 800-328-2495 to reach technical assistance. This package does not include glass, wood screws or other door panels, which are necessary for complete assembly.

### Tools you'll need

- #2 Phillips screwdriver
- Regular screwdriver
- Drill & bits
- #8 Wood screws (obtain locally)

**Please read these instructions carefully before beginning installation.**

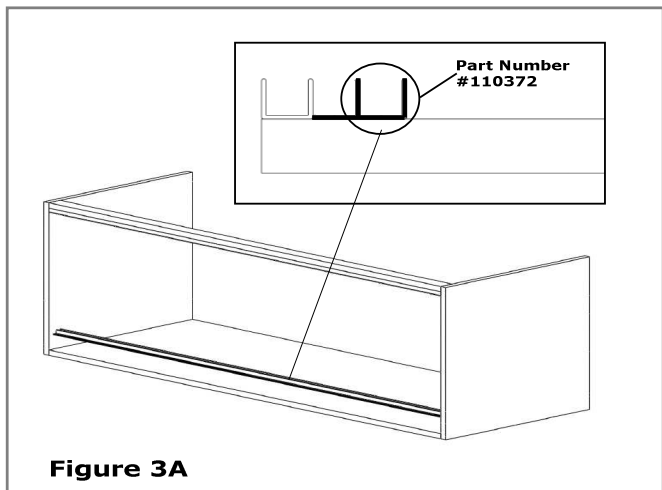
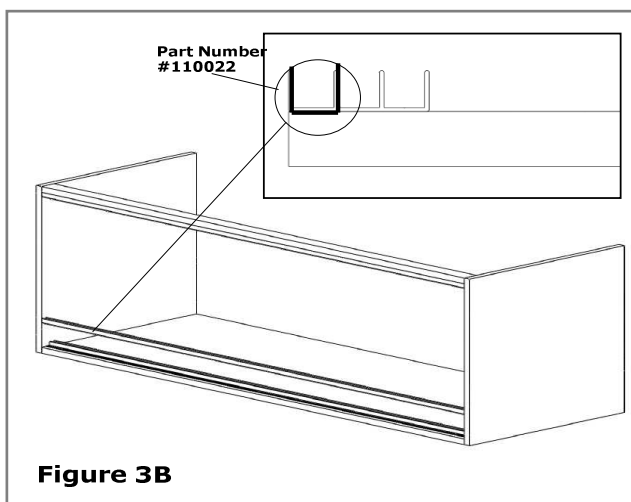
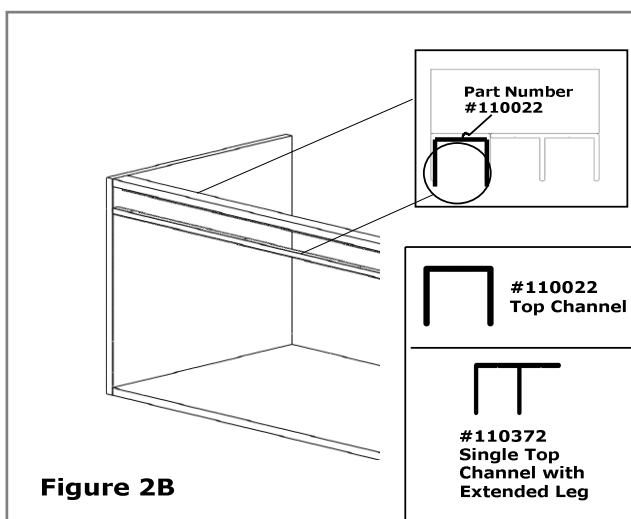
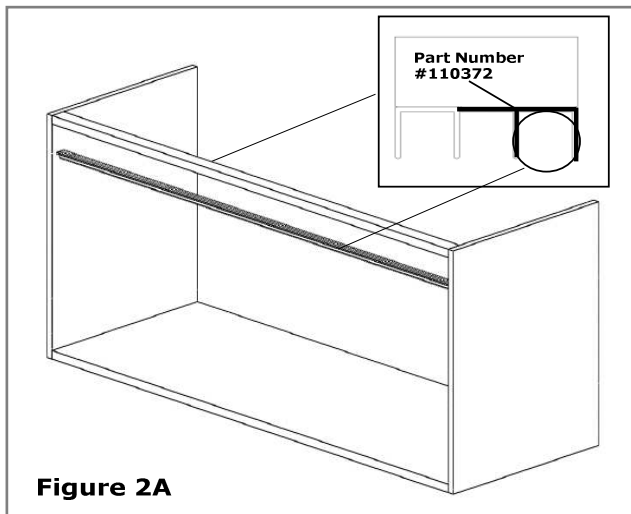
# Stylmark Installation Instructions: Model 610165 Rolling Door Assembly

## Getting Started:

These instructions are for pre-fabricated rolling door assemblies. If assembly was not ordered pre-fabricated, the stock length extrusions will need to be fabricated by the installer to meet the required dimensions of the project. Please note that part #110372 & 110022 will be used as a top channel or bottom channel. These parts may also be used as the side jambs depending on the configuration ordered.

## Step-by-Step Instructions

1. Install top channel (part #110372 & 110022) using #8 wood screws (obtain locally). **See Figure 2A & 2B.** **Note:** Top channel consists of two separate pieces as shown.
2. Set bottom channel (part #110372 & 110022) into place and secure it using #8 wood screws (obtain locally). **See Figure 3A and 3B.** **Note:** Bottom channel assembly consists of two separate pieces as shown.
3. Place tracks (part #110009) into channel as shown. **See Figure 4.** **Note:** If unit was ordered with side jambs, install per **Figure 5.**
4. Place top guides onto panel (part #419007). **See Figure 6A.** Then insert panel into the shoe using glazing tape (part #119004). Attach top and side molding pieces with glazing tape as shown if ordered with verticals and top molding. **See Figure 6B.** **Note:** If using top and side molding, the top guide (part # 419030) will be attached to the top molding (part #110024) with rivets (part #222012).
5. Place the three panels into the case, starting with the left rear panel. **See Figure 7.**
6. Determine location for door stops and install using the provided hardware in the door stop kit (part # 510014). **See Figure 8.**



# Stylmark Installation Instructions: Model 610165 Rolling Door Assembly

