



Installation Instructions

LED Power Track Shelving System 682808 & 685808

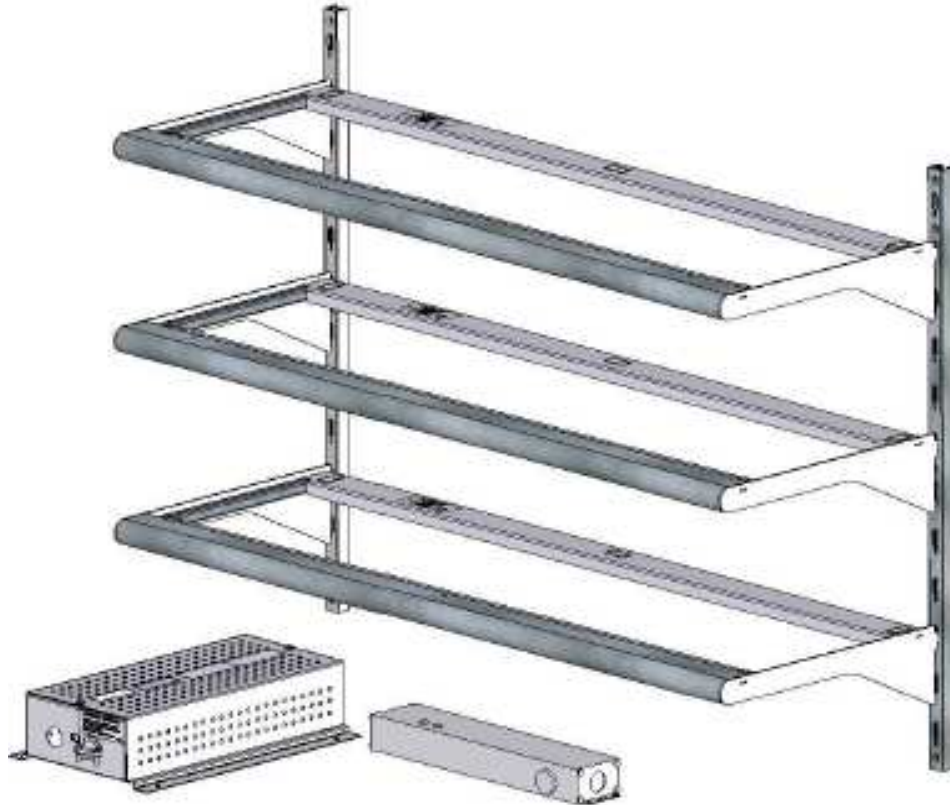


Figure 1

INSTALLATION INSTRUCTIONS

Before you begin

These instructions illustrate the Stylmark® LED Power Track Shelving System. If you have questions during assembly, call 800-328-2495 to request technical assistance. This package does not include glass shelving or standard fasteners, which are necessary for complete assembly.

Tools you'll need

- Level
- Tape Measure
- #2 Phillips screw driver

Please read these instructions carefully before beginning installation.

Step-by-Step Instructions

NOTE: Review Important Safety Instructions before starting.

OFFSET STANDARD MOUNTING (Figure 2)

1. Ensure that mounting location is flat and with out obstructions that would prohibit standards from attaching to mounting location uniformly.
2. Mark the centerline location of the left-hand powered standard.
3. Mark the top of the left-hand powered standard on the mounting location.
4. Mark the location [approximately 1-1/8 in. (28mm) from the bottom of the powered standard] and create an opening [Ø9/16" (14mm) to Ø11/16" (17mm)] for the power cable at the bottom of the left-hand powered standard. (See Figure 3)
5. Route the wire into the opening.
6. Hold the left-hand powered standard in position. Make sure that the standard is orientated properly. (See Figure 4)
7. Using a level to ensure that the standard is plumb, fasten in place using #8 flat-head, threaded fasteners. (Note: individual #8 threaded fasteners must be mounted to provide 60 pounds of pull out strength)
8. Mark the top of the right-hand non-powered standard such that it is on level with the left-hand powered standard.
9. Hold the right-hand non-powered standard in position.
10. Carefully measure and mark the center-to-center dimension to ensure proper standard-to-standard spacing. (See Figure 5)
11. Using a level to ensure the right-hand non-powered standard is plumb; fasten in place using #8 flat-head threaded fasteners. (Note: individual #8 threaded fasteners must be mounted to provide 60 pounds of pull out strength)
12. Mount LED Power Supply local to powered standard. (Note: LED lighting uses low voltage. In order to minimize voltage drop, the powered standard includes a 120 in (305 cm) wiring cable.)
13. Connect low voltage cable from powered standard to low voltage output side of power supply. (See Figures 7)
14. Connect line voltage wiring to line voltage input side of power supply. (See Figure 8)

Figure 2

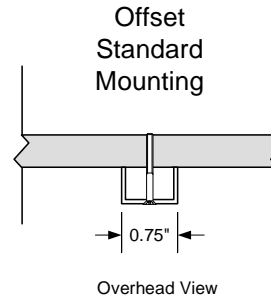


Figure 3

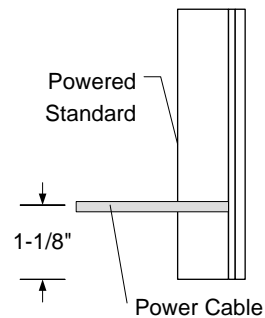


Figure 4

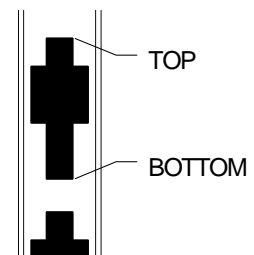
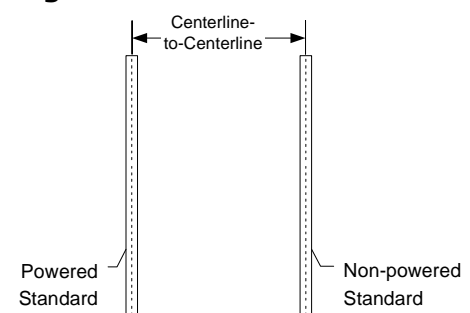


Figure 5



Step-by-Step Instructions

SHELF INSTALLATION

1. Holding the shelf at an angle (See Figure 9) hook the safety tab into a slot in standard, taking care not to damage the power contacts at the back of the left-hand side of the shelf.
2. If necessary, lightly pinch the contacts together as they are inserted into the powered standard. (See Figure 11)
3. Rotate the front of the shelf down to a horizontal position. (See Figure 12.1)
4. Push the shelf down to lock into place. (See Figure 12.2)

NOTE: MAXIMUM RATED LOAD 35 LBS. PER SHELF

NOTE: TURN OFF ELECTRICAL POWER BEFORE MODIFYING THE LIGHTING SYSTEM IN ANY WAY.

If the shelf does not light upon installing in the standard, check the following:

- Verify that the shelf is fully and properly inserted in the standard.
- Visually verify that the shelf contacts are touching the conductors inside the powered standard. If not, remove the shelf and carefully bend/spread the contact assemblies to ensure good contact to the conductor. Reinstall shelf.
- Using a multimeter, verify proper polarity at the conductors in the powered standard. Left conductor = negative, Right conductor = positive.
- Using a multimeter, verify that is a 24 Vdc potential between the conductors in the powered standard.

Call 800-328-2495 to request technical assistance.

Figure 9

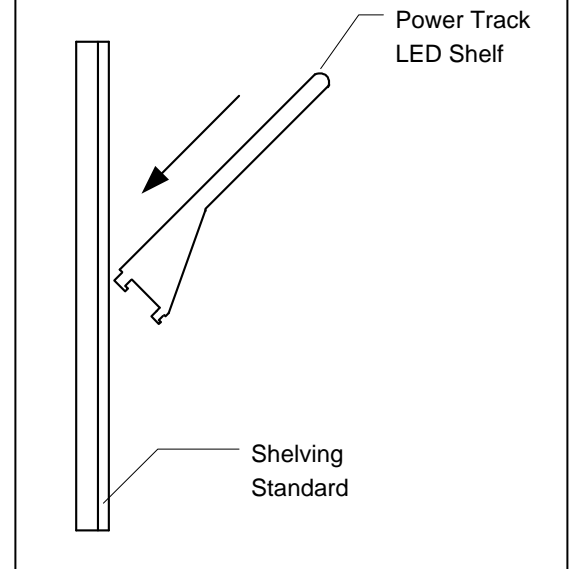


Figure 11

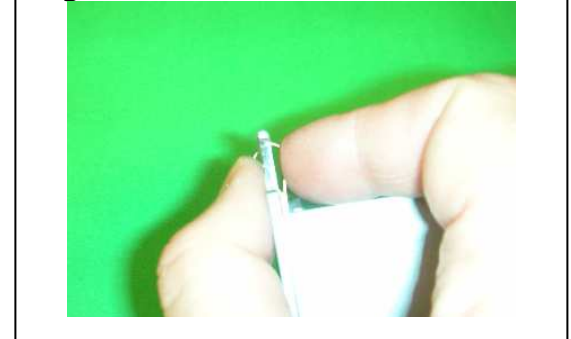


Figure 12

