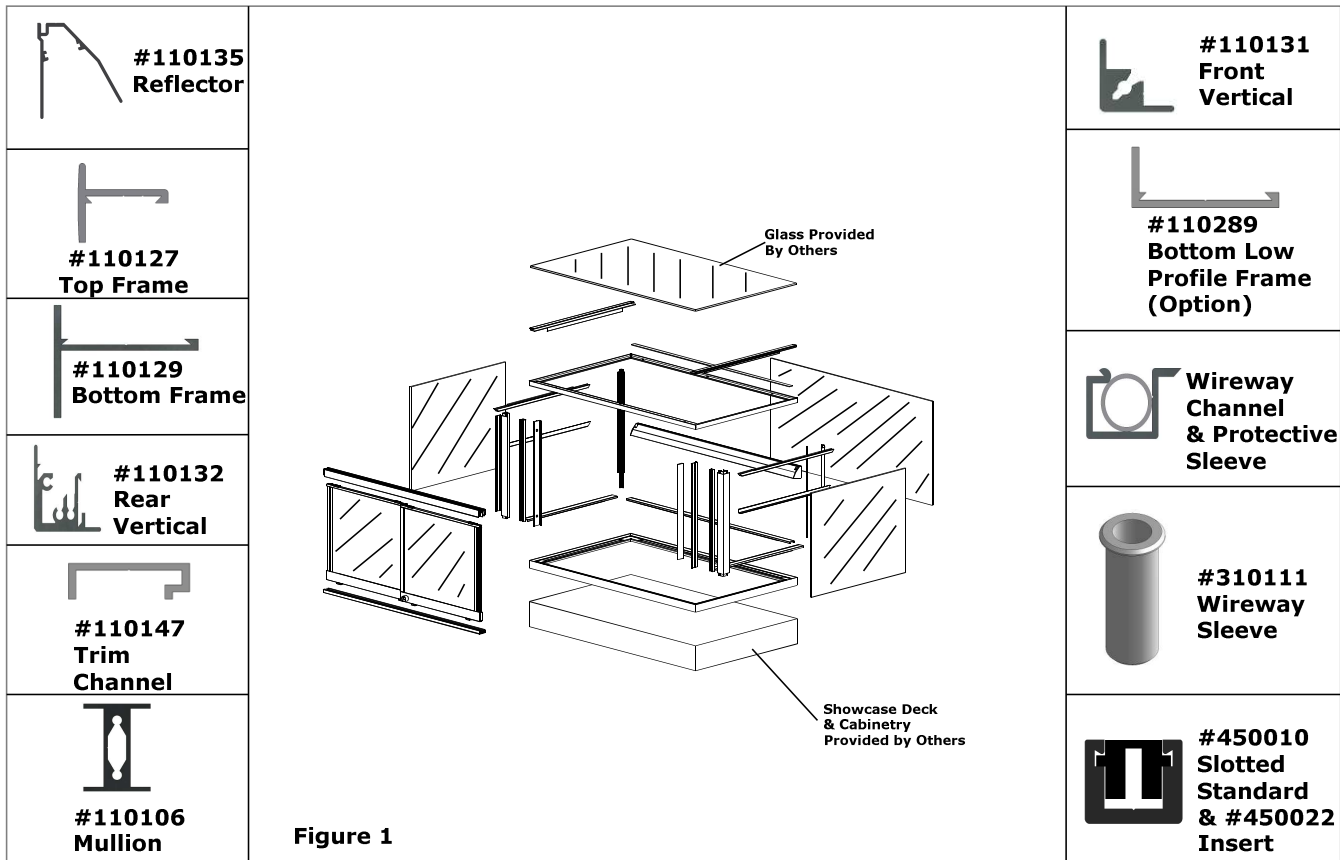




Installation Instructions

Model 71011X Rectangular Aluminum Showcase Assembly



INSTALLATION INSTRUCTIONS

Before you begin

These instructions illustrate the Stylmark® Aluminum Showcase Assembly. If you have questions during assembly, call 800-328-2495 to request technical assistance. This package does not include glass, showcase pad, deck, millwork or lamps for light fixtures, which are necessary for complete assembly.

Tools you'll need

- Masking tape
- 2 Phillips screwdrivers (medium sized heads)
- 2 standard screwdrivers (medium & large sized heads)
- Scissors
- Hand-held drill (variable speed preferred)
- Drill bits
 - 9/16" drill bit
 - 11/16" counterbore bit
 - 3/32" hardened bit for wood/aluminum
- Rubber mallet
- Metal shears or a large wire cutter
- Glass cleaner and cleaning cloth

Please read these instructions carefully before beginning installation.

Sheet# 971151
Rev C (7/08)

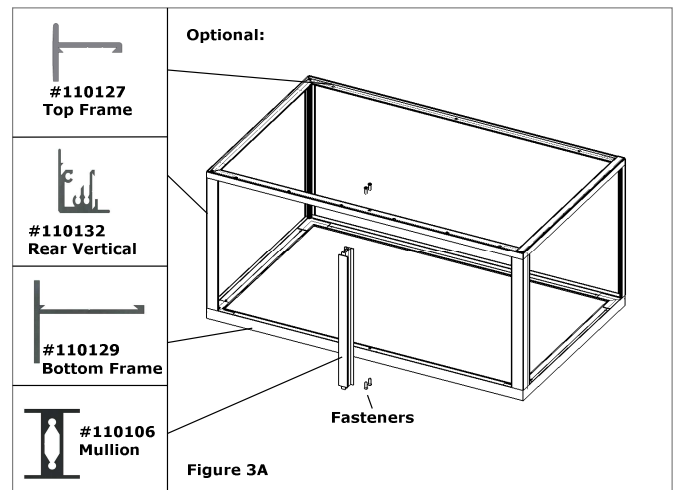
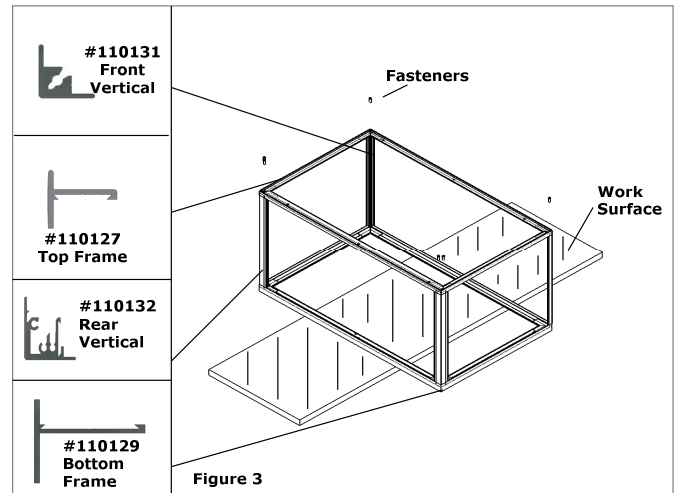
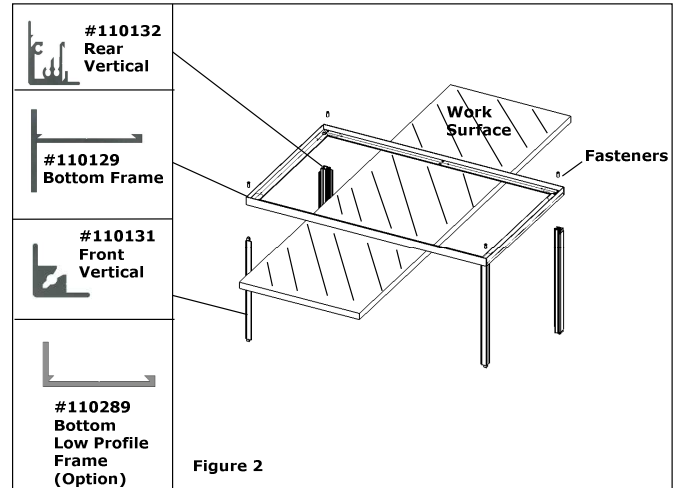
Stylmark Installation Instructions: Rectangular Aluminum Showcase Assembly

Getting Started Tips

- Assembly requires two people.
- Assemble near a power source.
- Smaller box inside the package contains electrical parts, glazing materials and the accessory package.
- Arrange accessory packages in numerical order for easy use. Accessory packages are referred to by number throughout the instructions.

Step-by-Step Instructions – Framework Assembly

1. Remove the preassembled top and bottom frames from the packaging. **Caution: Handle carefully to prevent bending and twisting of frame.**
2. Place the bottom frame on the deck (customer supplied) to test it for fit. Then place the bottom frame on the work surface with the bottom side up (corner brackets facing down), and the corners overhanging the surface. **See Figure 2.**
3. Find the two front and two rear vertical post in the slotted foam container in the lower section of the package. Using the pre-drilled holes as guides, attach the vertical post to the frame with #8 flat head screws (accessory #510134). **See Figure 2.**
4. Two people should grip the post and frame then invert the whole assembly so that the vertical posts are in an upward position. **See Figure 3.**
5. Place the preassembled top frame over the vertical posts and attach with #8 flat head screws (accessory #510134) through the pre-drilled holes in the top frame. Holes align with vertical screw post. **See Figure 3.**
6. **OPTION:** A center mullion for added support will be needed if the showcase is 63 or more inches wide. If the showcase requires a central mullion, pre-drilled holes will be located at the rear center of the top and bottom frames. Center the mullion between the rear vertical post and attach with #8 flat head screws (accessory #510134) through the pre-drilled holes in the top and bottom frames. **See Figure 3A.**



Stylmark Installation Instructions: Rectangular Aluminum Showcase Assembly

7. In order to install the wireway connector (accessory # 510159) for the showcase lighting, drill a hole in the showcase deck. Use the pre-drilled hole on the bottom frame as a guide for the location of the new hole. **See Figure 4.**
8. Using an 11/16" counterbore bit, drill approximately 1/16" below the deck surface. **See Figure 4.**
9. Drill through the deck with the 9/16" bit. Insert the wireway connector (accessory # 510159), making sure that it fits flush with the deck surface. **See Figure 4.**
10. Drill pilot holes suitable for #6 screws to fasten bottom to deck.
11. Mount the showcase to the millwork deck using #6 flat head screws (accessory #510202) through the pre-drilled holes in the bottom frame.

Step-by-Step Instructions – Glass Installation

12. Tape the edges of the glass with masking tape unless the glass ordered has polished edges. The tape should not cover more than 1/4" of the front and back surface of the glass
13. Insert the front and side glass panels. Tape the glass panels to the frame to temporarily hold them in place, but remove this tape before installing the reflector and wireway channels.
14. To ensure the case is rigid, use rubber shims (Included in showcase shim kit accessory #510330) in the frame as necessary for undersized glass. The glass should fit as tightly as possible to increase the strength of the showcase.
15. Small felt pads also in the showcase shim kit are provided so the glass can be rested against them.
16. Insert trim channels onto the bottom frame to secure the glass. No screws are needed, channels lay into place. **See Figure 5.**
17. Glazing strips hold the glass to the front vertical posts. Attach the aluminum glazing strips to the post using #6 flat head screws (accessory #510204). Attach to post so the felt side is facing in, if attached so the metal side faces in, it might cause the glass to crack. **See Figure 6.**
18. If the showcase includes a reflector, see step 20.
19. If the showcase does not need a reflector, snap the empty horizontal wireway channels into place on the underside of the top frame on the side and front. Refer to Figure 9 for the wireway channel.

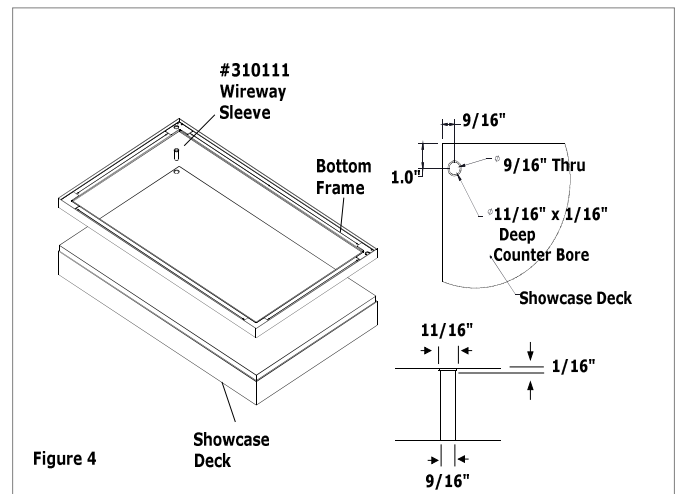


Figure 4

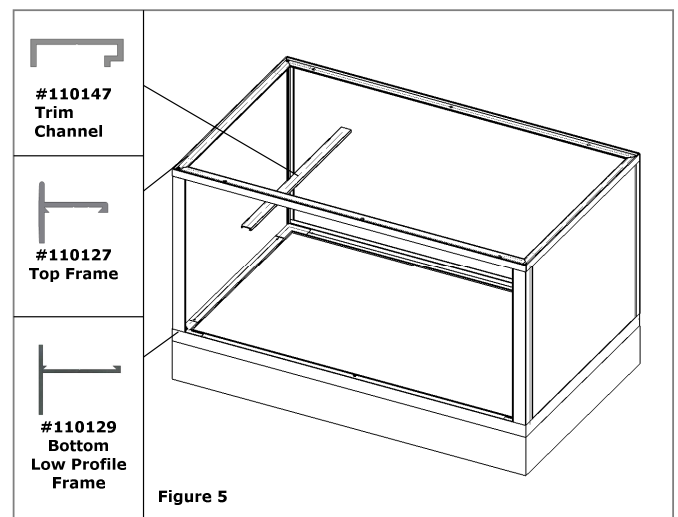


Figure 5

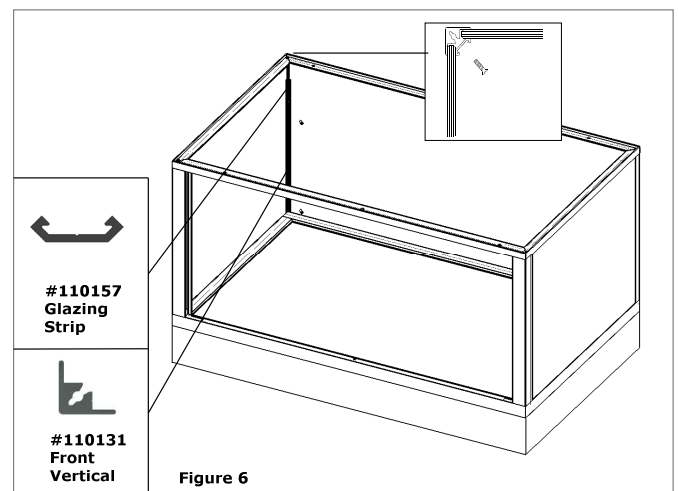


Figure 6

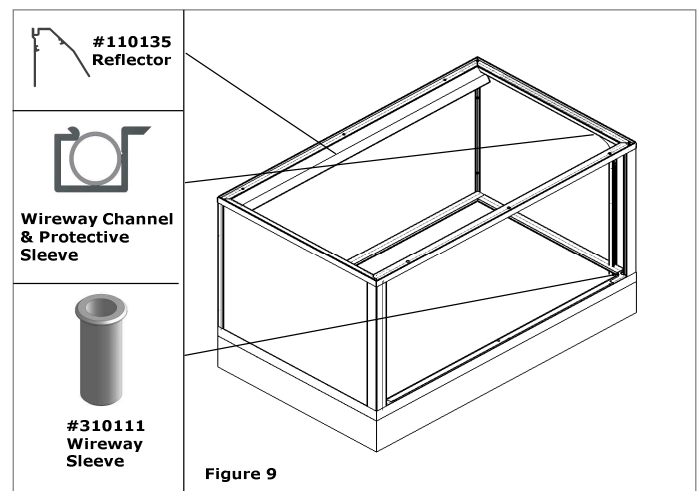
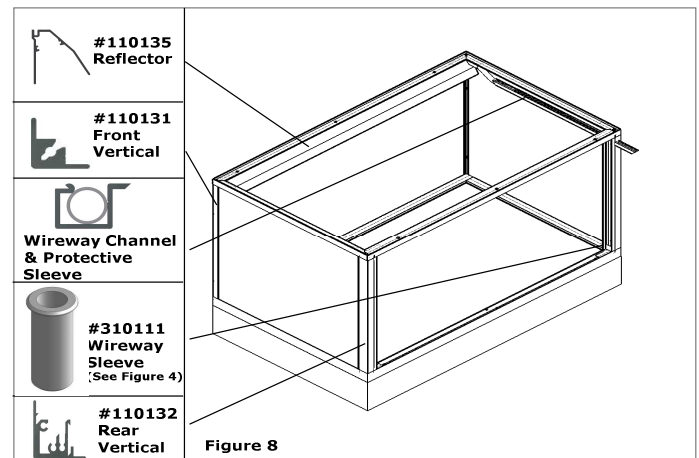
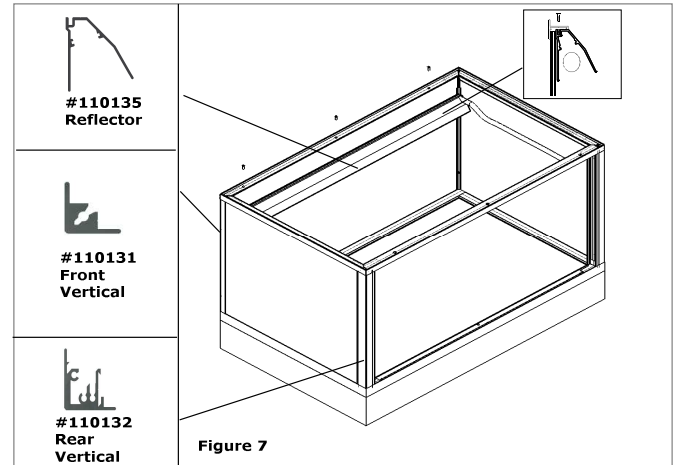
Stylmark Installation Instructions: Rectangular Aluminum Showcase Assembly

Electrical Wiring

CAUTION: Adhere to all national, state and local electrical codes when connecting power to fixtures. All wiring for this showcase should be completed only by qualified personnel.

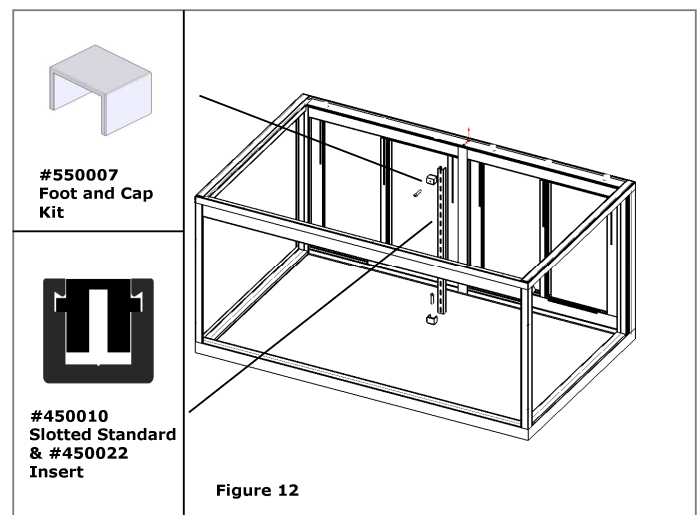
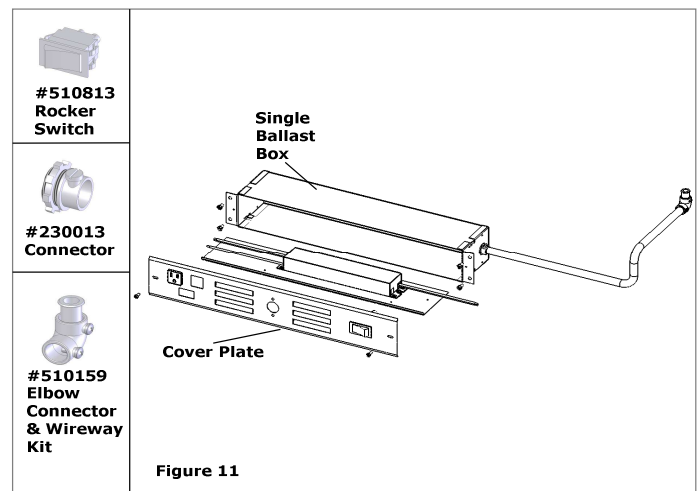
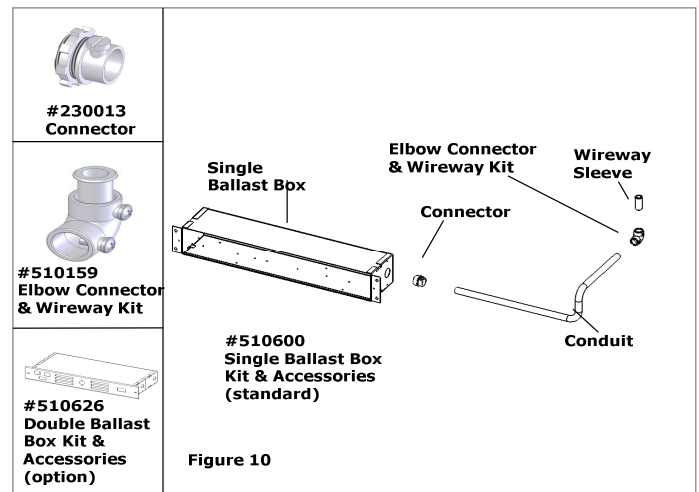
Step-by-Step Instructions – Electrical Wiring

20. Clean the front glass surface and the front face of the reflector before you install the reflector
21. Determine where the reflector(s) should be mounted. Attach the reflector to the front and/or rear of the top frame with #6 flat head screw (accessory #510135) through the pre-drilled holes in the top frame. **See Figure 7.**
22. The wiring will run along the underside of the top frame on the side where the wireway connector was mounted in the deck
23. Find the horizontal wireway channel in the package and place the wiring in the wireway channel. **See Figure 8. CAUTION: Do not remove the protective sleeve from the wiring.**
24. Snap the wireway channel into the underside of the top frame. **See Figure 8.**
25. Feed the wiring in its protective sleeve down along the rear vertical post through the wireway connector hole in the deck. **See Figure 9.**
26. Snap the vertical wireway channel into the rear vertical post. **See Figure 9.**
27. Repeat step 23 without the wiring for the other side of the showcase.
28. Attach door jamb uprights to the rear vertical post with #8 flat head screws (accessory # 510134) through the pre-drilled holes in the jambs. **See Figure 2 on the Door Assembly Instruction Bulletin.**



Stylmark Installation Instructions: Rectangular Aluminum Showcase Assembly

29. Feed the wire through the 90° elbow and attach it to the underside of the wireway connector. Tighten the preset screw to the wireway connector. **See Figure 10.**
30. Estimate the length of wire needed from the elbow to the ballast box. Cut the excess wiring and the sleeve, then tape the ends of the wire assembly together. The excess wire can be used for step 36A. Determine the length of the conduit needed based on the just trimmed wiring. Trim the conduit using metal shears or a large wire cutter. **See Figure 10.**
31. Feed the wiring through the conduit. Route the conduit through to the ballast box
32. Insert the conduit into the 90° elbow and tighten the pre-set screw on the elbow to the conduit.
33. Remove any knockouts on the ballast box that will be necessary for final wiring connections. Install all knockout connectors, receptacles, etc., necessary for final wiring. Mount the ballast box in the desired location using #8 round head screws (**Ballast box accessory # 510598.**)
34. Install switches onto the ballast box cover plate, removing knockouts as necessary. The switches are designed to snap-lock into the knockouts. **See Figure 11.**
35. Closely following the wiring diagram included in the ballast, connect the reflector wires to the ballast and attach the conduit to the ballast box. Attach the switch on the cover plate and power supply using wirenuts supplied. **See Figure 11.**
36. Slide the ballast tray into the ballast box and properly ground it in one of the following way:
 - a. Secure one end of the 12 inch long section of 18 ga. min. wire to the tray, and secure the other end to the ballast box using bolt, starwasher and nut.
 - b. Secure the tray directly to the ballast box using bolt, starwasher and nut.
37. Fasten the cover plate to the ballast box with #6 screws (**Ballast box accessory # 510598.**)



Sheet# 971151
Rev C (7/08)

Stylmark Installation Instructions: Rectangular Aluminum Showcase Assembly

Step-by-Step Instructions – Final Assembly

38. Clean the showcase deck and install the showcase pad
39. If the showcase requires a slotted standard at the center, attach the gray foot and cap assembly to the deck behind the door track in the center of the door opening.
See Figure 12.
40. Place the slotted standard into the bottom cap and place the top cap onto the standard. Using a 3/32" hardened bit, drill through the top cap and the slotted upright into the top header. **See Figure 12.**
41. Insert shelving brackets where needed for shelves.
42. Install doors. See separate instructions for Rolling Door Assembly.
43. Apply felt tape on the front and rear lengths of the top frame. Trim the felt away from the sides of the top frame, this is where the glass security channels will fit. **See Figure 13.**
44. Clean the edges of top glass and the inside of the glass security channels. Fit the security channels over each end of the top glass and lower the glass into the top frame. **See Figure 14. CAUTION: Remove all debris from where the glass will rest and make sure that the glass fits properly into the top frame.**
45. Place the security angles against the inside of the glass security channels. When you are confident of the placement, remove the adhesive backing from the security angles and attach them to the security channels. **See Figure 15.**
46. Clean the showcase with glass cleaner.

