

Installation Instructions

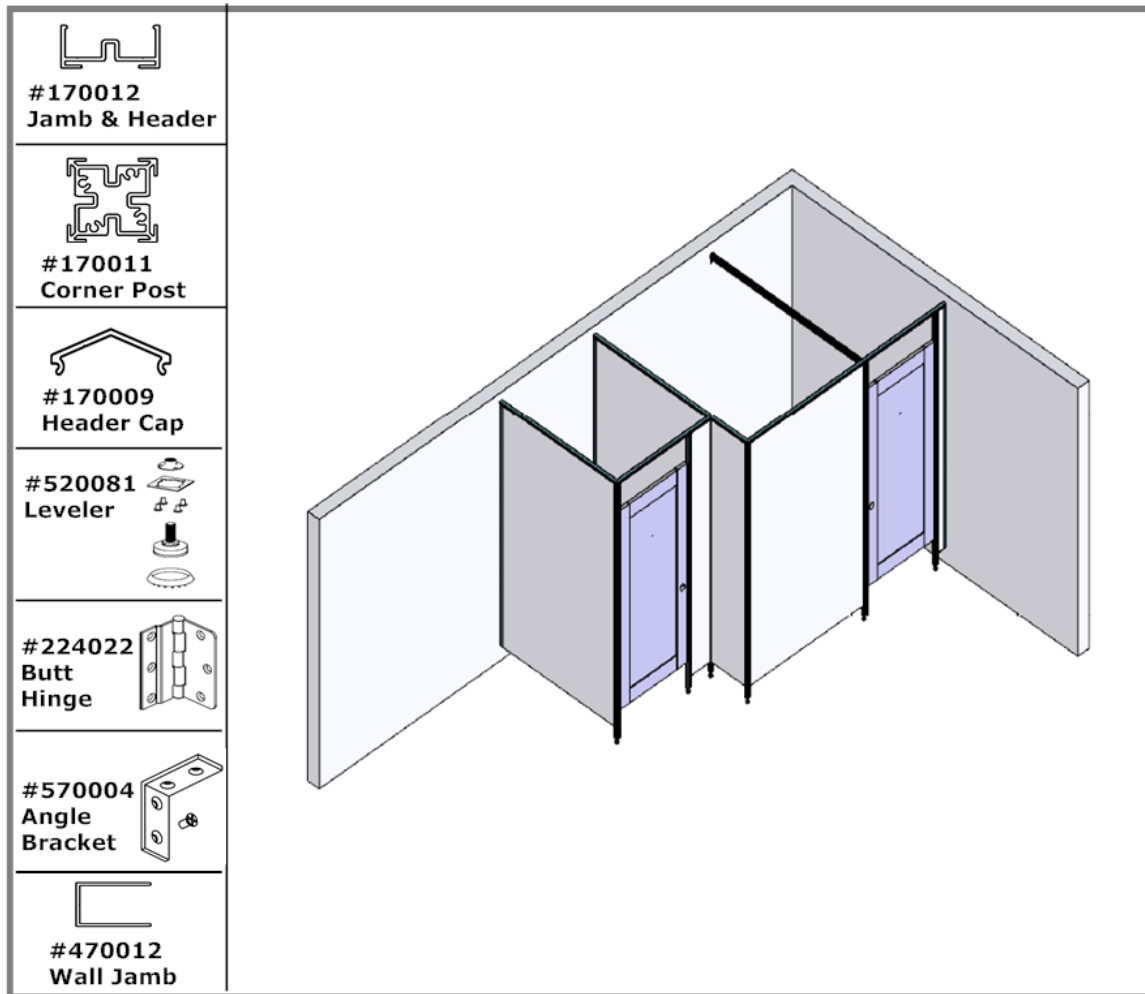


Figure 1

INSTALLATION INSTRUCTIONS

Before you begin

These instructions illustrate the assembly and installation of the Stylmark Fitting Room. If you have questions during assembly, call 800-328-2495 to request technical assistance. See Stylmark Fitting Rooms Catalog for optional components and illustrations.

Tools you'll need

- Phillips and regular screwdriver
- Hand drill (variable speed preferred with Phillips bit)
- Wood screws
- Chalk line
- Level
- Wall jumps (obtain locally)
- Anchors (obtain locally)
- Drill Block (Part #570546)

Please read these instructions carefully before beginning installation.

Stylmark Installation Instructions: Fitting Rooms

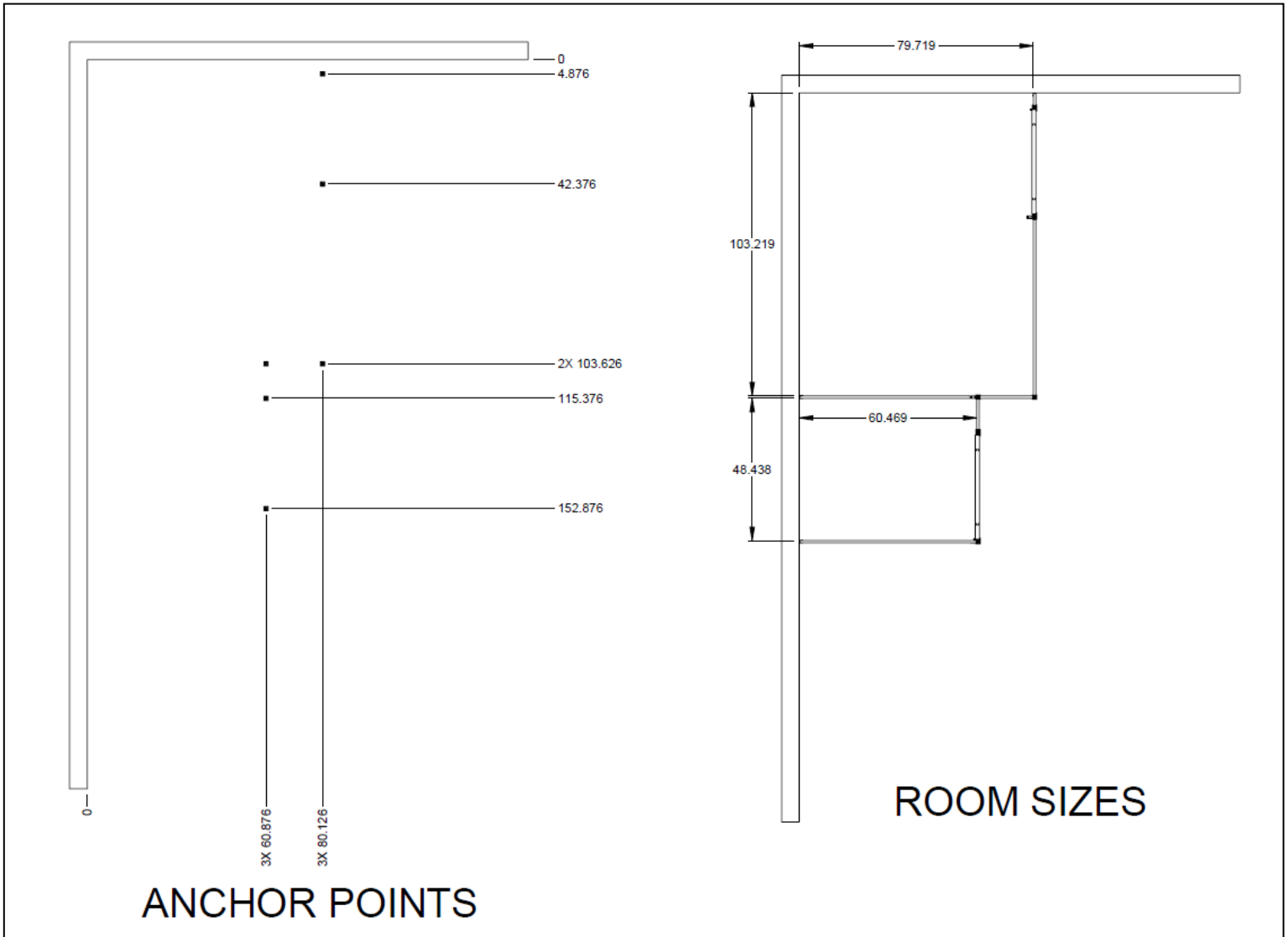


Figure 2

NOTE: Fitting room sizes above are for reference only.

Stylmark Installation Instructions: Fitting Rooms

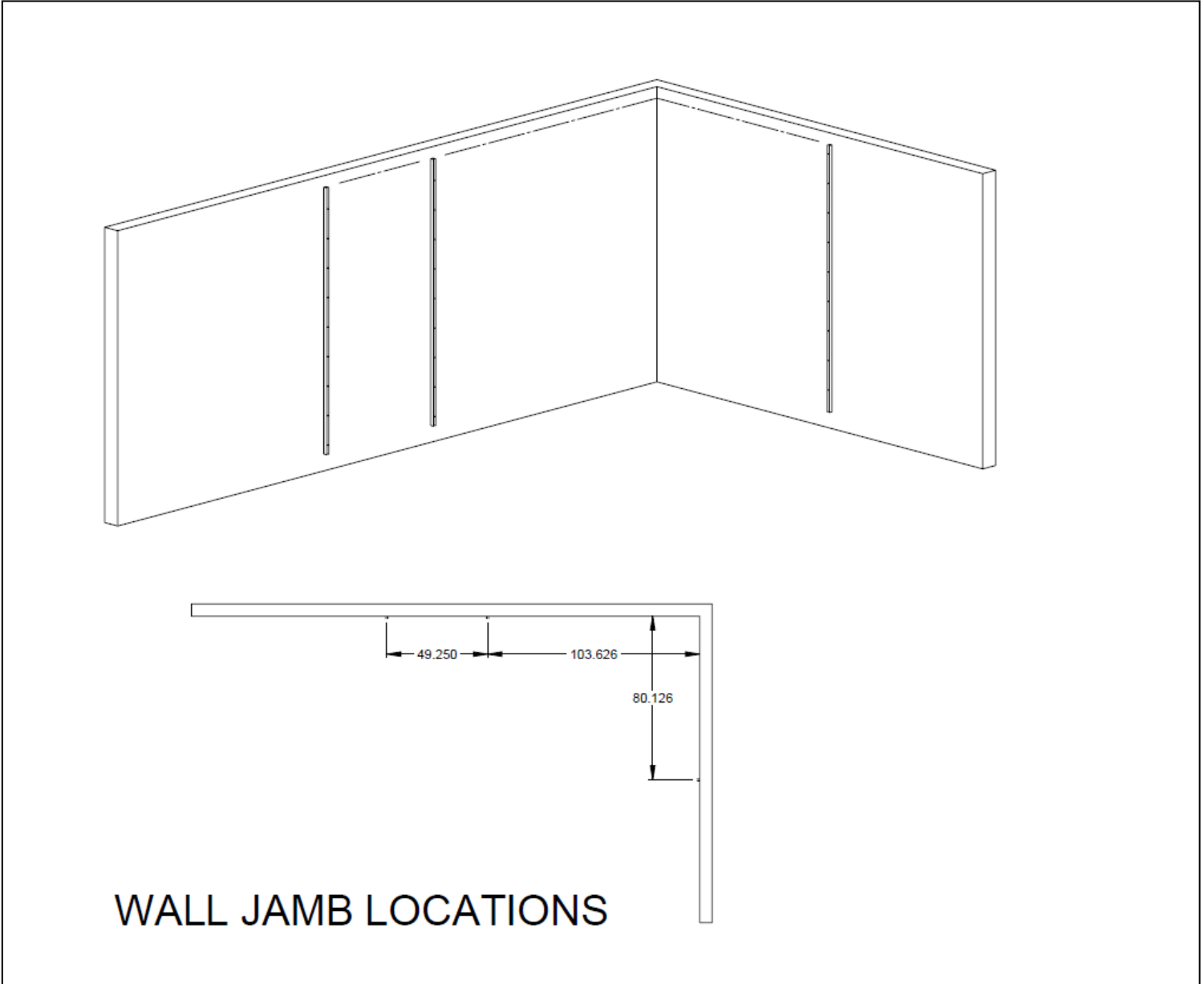


Figure 3

NOTE: Wall jamb locations above are for reference only.

Stylmark Installation Instructions: Fitting Rooms

Getting Started:

These instructions are for the assembly and installation of the Stylmark Fitting Room. A typical one-row layout is shown (**See Figure 1**); however, installation procedures can be adapted to any space or fitting room configuration.

Step-by-Step Instructions – Installation:

1. Determine the placement of the posts in the space available based on the layout drawing.
See Figure 2. Mark the positions on the floor for the locations of the posts. Secure anchors to the floor in these locations if applicable (fasteners are to be obtained locally). You will want to check to verify that room is level, plum, and square. The wall jamb connections will be used to square anything up.
2. From this layout, locate and attach the wall jambs to the walls. **See Figure 3** (fasteners are to be obtained locally). To do this you will want to find the high point in the floor where your fitting rooms will be placed. Once located, take a post with a leveler attached at a half way point, and place against the wall. The top of the post will mark the top of your wall jambs. From this mark, you will then locate the remaining jamb locations. A laser level would work best for this application.
3. Prepare your posts. All posts have countersunk holes on 2 sides. These are there to snug in the panels to the posts. You may not need to attach on both sides of the posts. Posts will have several parts to attach to them, depending on the location. If the post is at a door opening, it will have either a door stop angle bracket, or the privacy angle and hinges attached to it, in addition to the filler strips and angle brackets.
Review Figures 4 – 6 to identify the parts needed for each post. Complete one at a time and set aside.

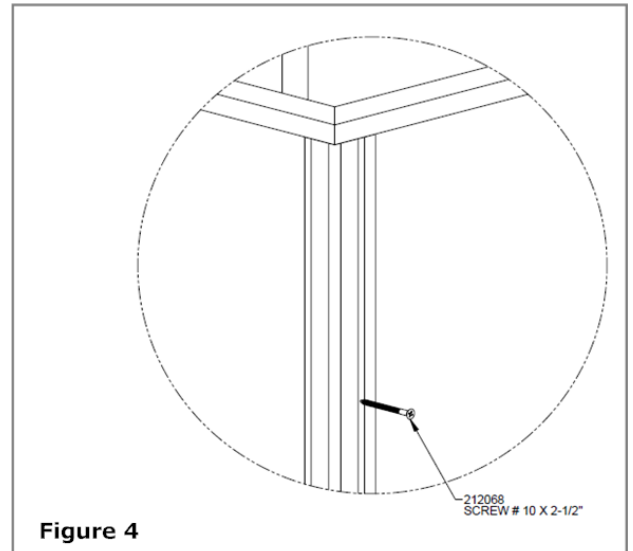


Figure 4

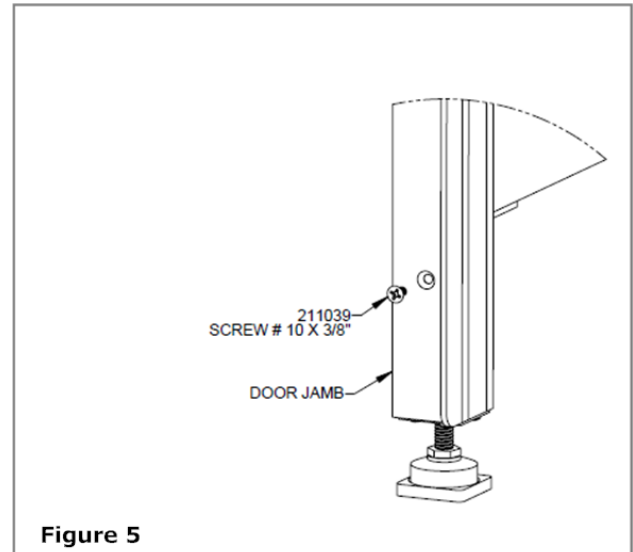


Figure 5

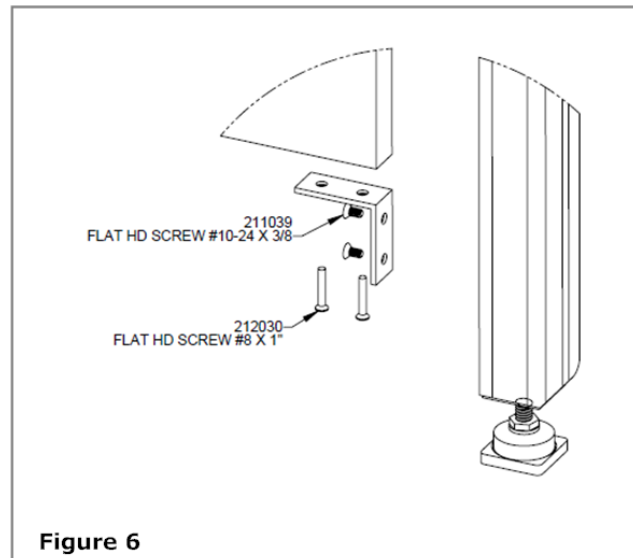


Figure 6

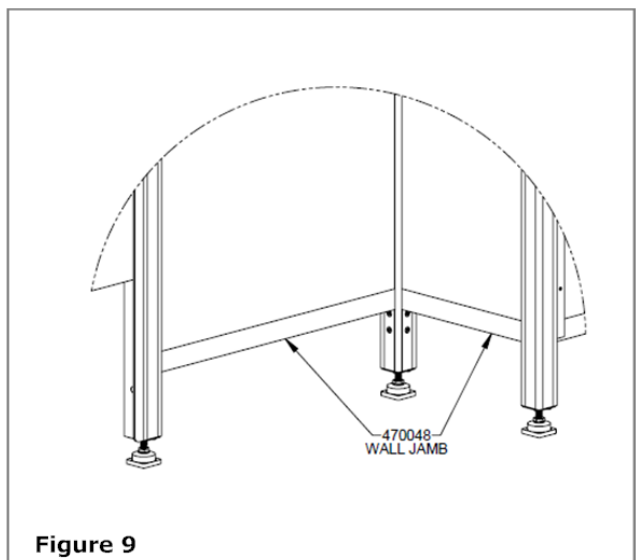
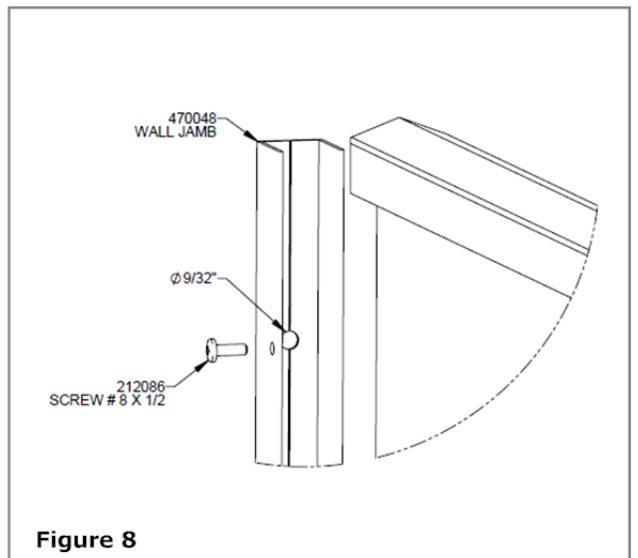
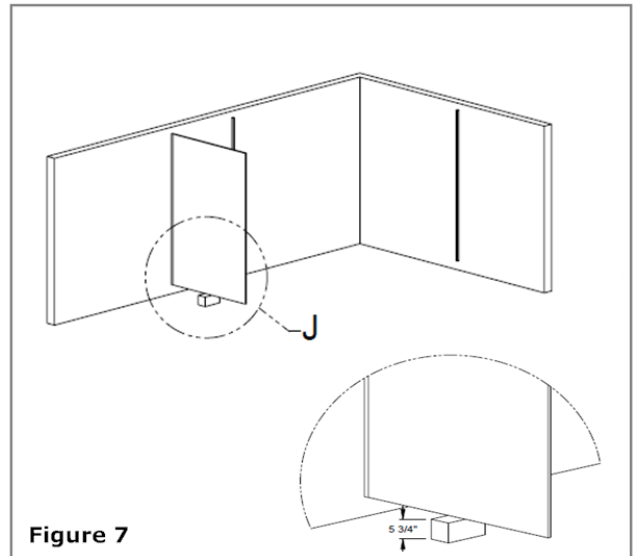
Part Number# 971140
Rev H (10/18)

Stylmark Installation Instructions: Fitting Rooms

Step-by-Step Instructions – Installation Cont.:

- Short filler strips are included in your shipment. These short pieces are for below the angle bracket that supports the panel. **See Figure 6.** Slide the small filler strip in from the top first, and then attach the angle bracket to the post with the fasteners included. Attach the correct panel to the post using the fasteners shown in **Figure 6**, and the fasteners shown in **Figure 4**. Now that your panel is attached, identify if any other parts are needed to attach to the post.
- Door stops and privacy angles are also included in your list of materials. The door stop will have holes for attaching to the post and a pocket fabricated for the door plunger. **See Figure 5.** The privacy angles have notches cut out of them for location of the hinges. Both angles are made to be the same height as the post. This makes it look cleaner and is easier to locate for attachment.
- Once all the parts are attached to the post, fill in the remaining, exposed, sides of the posts with the long filler strips. This is done by sliding them in from the top of the post. The leveler at the bottom will stop the filler strip at the bottom of the post. This is important to have this done prior to installing the posts as it will be difficult to add these strips in after the fact. **See Figure 4.**
- Now that you have the panels and posts put together, you are ready to attach them to the wall jambs. You will need to use some sort of support device to set the panel on as you prepare to attach the panels to the jambs. The support device should be just slightly shorter than the bottom of the wall jamb. This will allow you to level everything prior to attachment. Insert the post into the anchor point and rest the panel on top of the support device as you insert the panel into the wall jamb. **See Figure 7.** Check to see if you need to adjust how far the panel goes into the jamb so the post and panel are level. Once the post is level, lift the panel slightly so the bottom of the panel is flush with the bottom of the wall jamb and secure with the fasteners provided. **See Figure 8.** The panels should stick up 1/8" above the wall jambs.

Note: Wall jamb can be an optional trim piece for the bottom of the panel. **See Figure 9.**



Part Number# 971140
Rev H (10/18)

Stylmark Installation Instructions: Fitting Rooms

Step-by-Step Instructions – Installation Cont.:

- The header pieces will attach to the posts and panels with the fasteners provided. **See Figure 10.** Find each header by size according to the breakdown drawing of the parts. Where a header comes off the wall and does not attach to a post, use the tee bracket to connect the headers together. **See Figure 11.** Once headers are attached, cover them with the header caps by snapping them into place.
- Now that you have the rooms in place, attach the doors to the hinges. Attach the door handles to the doors and the fitting room is complete.
- If new holes are needed in the headers to attach to post, use the drill block part # 570546 (order separately). **See Figure 12.**

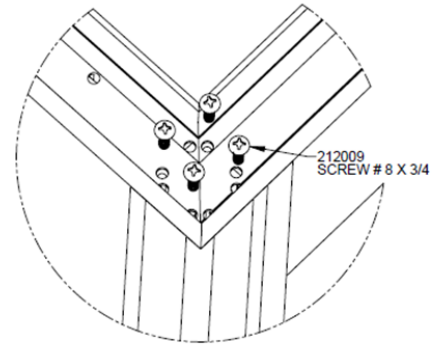


Figure 10

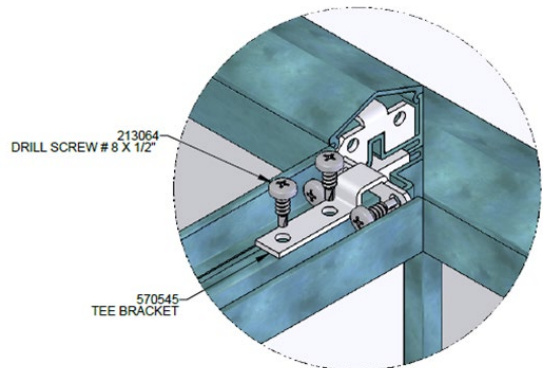


Figure 11

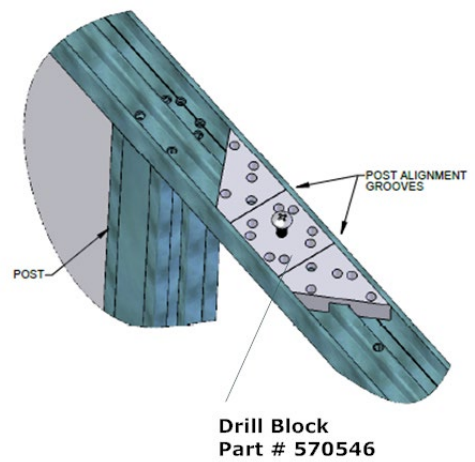


Figure 12

Part Number# 971140
Rev H (10/18)