



# Fitting Room Extrusions & Hardware

Stylmark offers sturdy, high-quality fitting room systems designed to fit together easily and quickly allowing for rapid field installation. With the flexibility of our post-and-panel system, you can create unique, cost-effective and modular designs in numerous store areas.

# Mirror Kits and Assemblies

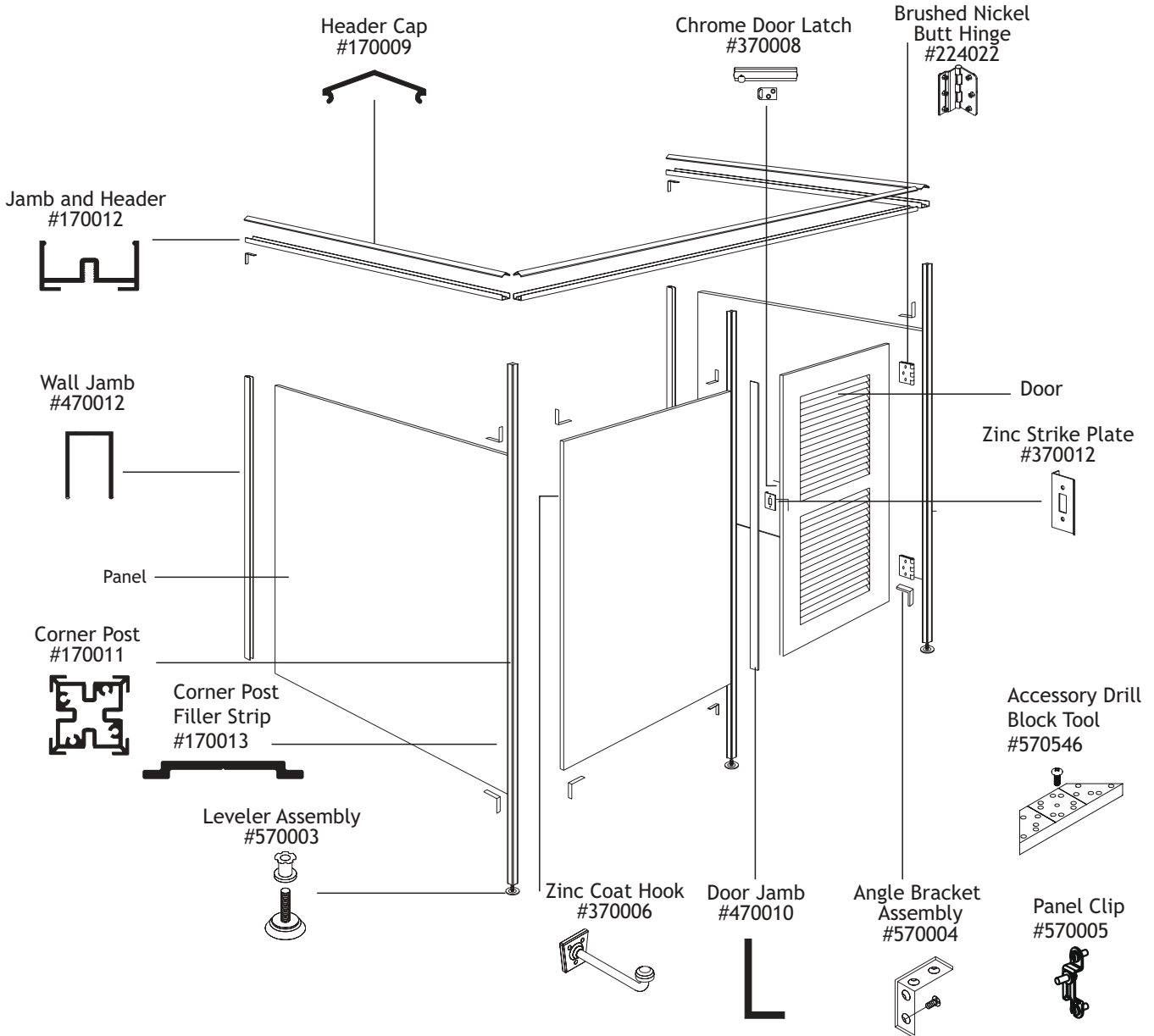
Proper fitting room lighting is key and helps the shopper to see clothing the same way they would at home. Lighted Mirror Solutions from Stylmark are designed to soften the light directed on the body. Choose from stylish options for every design budget.

Fitting Rooms	<a href="#">2</a>
Mirror Solutions	<a href="#">5</a>
Admire LED Mirror	<a href="#">8</a>
Mirror Kits	<a href="#">10</a>
Tri-View Mirror Frames	<a href="#">11</a>
Mirror Frames	<a href="#">13</a>
Mirror Trims	<a href="#">15</a>

---

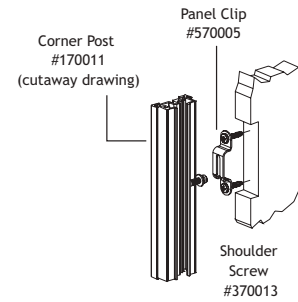
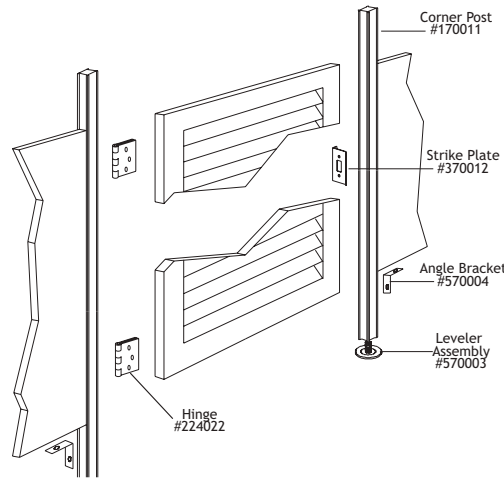
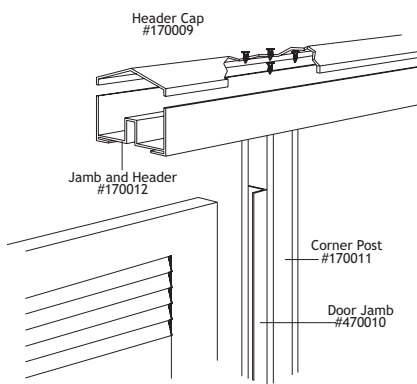
# Fitting Rooms

Stylmark offers components and hardware that can be used to create a variety of custom fitting room configurations. Fitting room extrusions are sold in stock length material or material may be fabricated to meet your specific requirements.



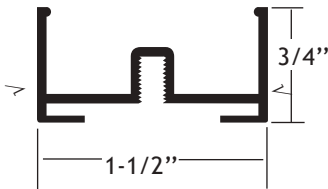
- Notes:**
- Panel and door provided by other
  - Accessory Drill Block Tool Part #570546

# Fitting Rooms

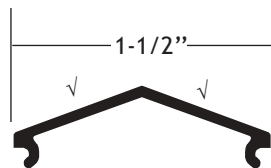


Alternate method to angle brackets #570004 to conceal hardware from view

**Part #170012**  
Jamb and Header  
Stock Length = 144"

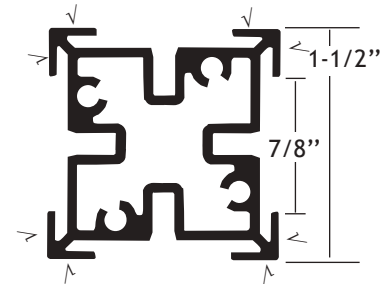


**Part #170009**  
Header Cap  
Stock Length = 144"

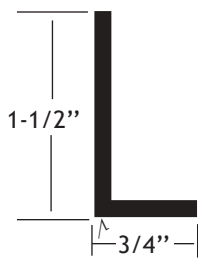


**Part #170011**  
Corner Post  
Stock Length = 84"

**Part #170014**  
Corner Post  
Stock Length = 146"

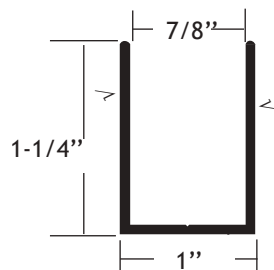


**Part #470010**  
Door Jamb with Slots  
Stock Length = 84"

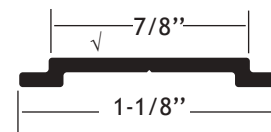


**Part #470012**  
Wall Jamb with Holes  
Stock Length = 144"

**Part #170008**  
Wall Jamb without Holes  
Stock Length = 144"



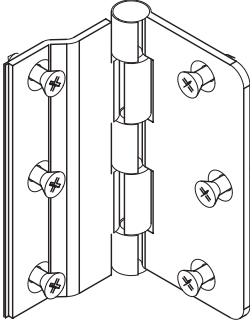
**Part #170013**  
Corner Post  
Filler Strip  
Stock Length = 84"



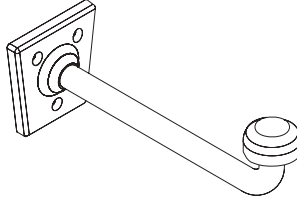
√ = finished surface  
Drawings are not to scale

# Fitting Rooms

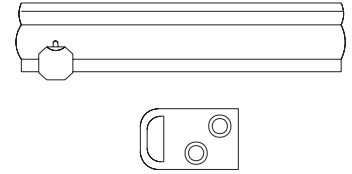
**Part #224022**  
Brushed Nickel Butt Hinge  
Use for heavier doors.



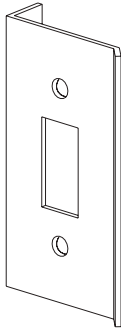
**Part #370006**  
Zinc Coat Hook



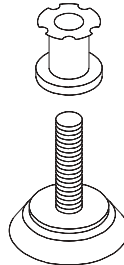
**Part #370008**  
Chrome Door Latch



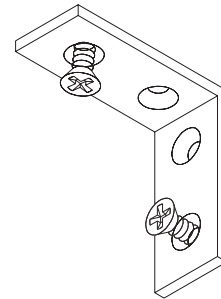
**Part #370012**  
Zinc Strike Plate  
Latches are designed for easy, secure installations (Includes screws).  
Zinc plated.



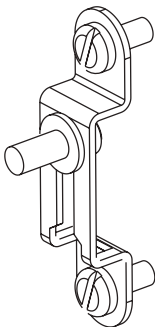
**Part #570003**  
Leveler Assembly  
Used to assure easy adjustability.



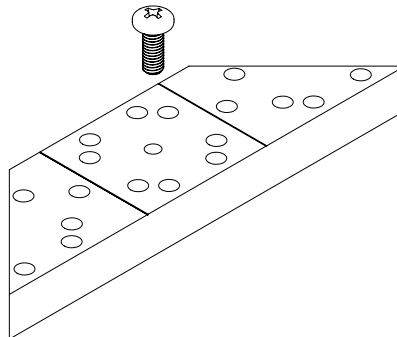
**Part #570004**  
Angle Bracket  
Bracket supports can be used to attach panels to posts. Anodized to match.  
(includes bracket and two screws)



**Part #570005**  
Panel Clip Kit  
Used as an alternative method of attaching panels to posts.  
Includes hardware and 4 clips.



**Part #570546**  
Accessory Drill Block Tool

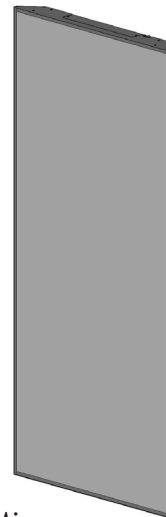


# Mirror Solutions - BEVEL

Featuring a frame which tapers back towards the wall, BEVEL presents a unique appearance. The LED-lit BEVEL Mirror also features flush, etched lights on each side of the mirror face. The LED-lit BEVEL Mirror is selectable with hard-wire (wire per NEC and applicable local codes) or plug-in option.



BEVEL Mirror: LED-Lit  
Model 620096



BEVEL Mirror  
Model 620095

Model #	Description	Mirror Size (O.D)
620095-01	BEVEL : Single Pane Mirror with Mounting Hardware	28" x 60" (28-3/4" x 60-1/4")
620095-03	BEVEL : Single Pane Mirror with Mounting Hardware	36" x 72" (36-3/4" x 72-1/4")
620096-01	BEVEL : LED-Lit, Single Pane Mirror with Mounting Hardware	28" x 60" (28-3/4" x 60-1/4")
620096-03	BEVEL : LED-Lit, Single Pane Mirror with Mounting Hardware	36" x 72" (36-3/4" x 72-1/4")

## Construction Specifications:

### Nominal Length

- 60" or 72"

### Frame Material

- Anodized Aluminum

### Frame Finish

- See Stylmark Color Library

### Mirror

- 1/4" Clear Mirror with Pencil Ground Edges & Category 1 Safety Backing

## LED Lighting Specifications (Model 620096):

### Color Temperature

- 3000K, 3700K, 4200K

### Nominal Wattage

- 32.5W or 39W

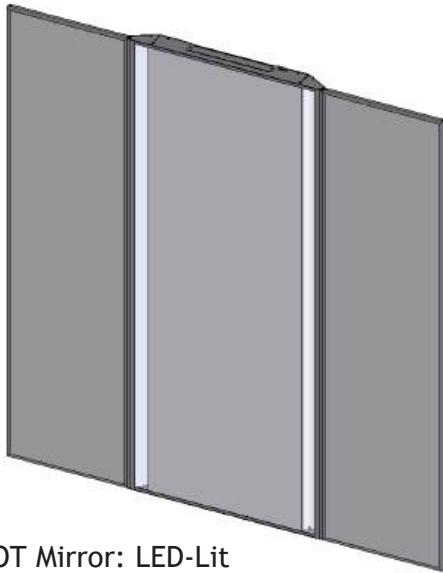
### Color Rendering Index

- 85

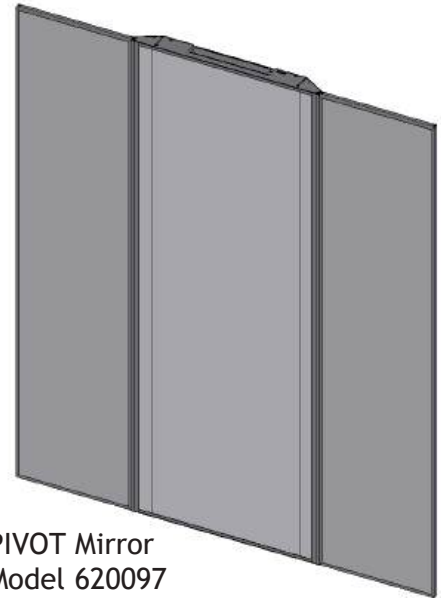
MIRRK

# Mirror Solutions - PIVOT

PIVOT features adjustable wing mirrors to allow viewing from multiple angles. The wing mirrors attach with seamless hinges which eliminate pinch points. The LED-lit PIVOT Mirror also features flush, etched lights on each side of the center mirror face. The LED-lit PIVOT Mirror is selectable with hard-wire (wire per NEC and applicable local codes) or plug-in option.



PIVOT Mirror: LED-Lit  
Model 620098



PIVOT Mirror  
Model 620097

Model #	Description	Mirror Size (O.D)
620097-02	PIVOT : Triple Pane Mirror with Mounting Hardware	18" (wing) x 28" x 72" (66-1/4" x 72-1/4")
620098-02	PIVOT : LED-Lit, Triple Pane Mirror with Mounting Hardware	18" (wing) x 28" x 72" (66-1/4" x 72-1/4")

## Construction Specifications:

**Nominal Length**  
• 72"

**Frame Material**  
• Anodized Aluminum

**Frame Finish**  
• See Stylmark Color Library

**Mirror**  
• 1/4" Clear Mirror with Pencil Ground Edges & Category 1 Safety Backing

## LED Lighting Specifications (Model 620098):

**Color Temperature**  
• 3000K, 3700K, 4200K

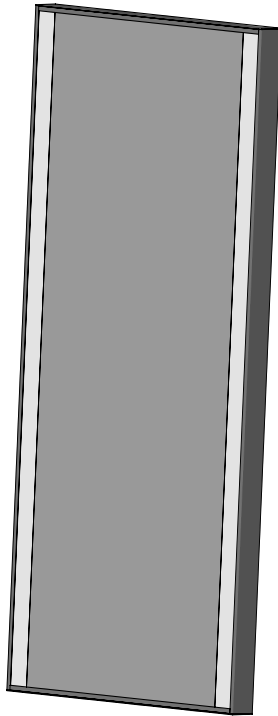
**Nominal Wattage**  
• 32.5W or 39W

**Color Rendering Index**  
• 85

MIRRK1

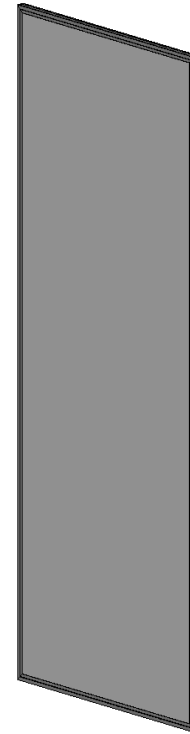
# Mirror Solutions - TILT

The LED Tilt Mirror is designed to be a full-view, framed mirror that can be installed in a leaning fashion. Like all Mirror Solutions by Stylmark, the LED Tilt mirror is available in Stylmark's wide variety of anodized finishes and color temperatures.



TILT Mirror  
Model 620091

TILT Mirror: LED-Lit  
Model 620092



Model #	Description	Mirror Size (O.D)
620091-01	TILT : Single Pane Mirror with Mounting Hardware	28" x 60" (29" x 61")
620091-02	TILT : Single Pane Mirror with Mounting Hardware	28" x 72" (29" x 73")
620091-03	TILT : Single Pane Mirror with Mounting Hardware	36" x 72" (37" x 73")
620092-01	TILT : LED-Lit, Single Pane Mirror with Mounting Hardware	28" x 60" (28-1/4" x 60-1/4")
620092-02	TILT : LED-Lit, Single Pane Mirror with Mounting Hardware	28" x 72" (28-1/4" x 72-1/4")
620092-03	TILT : LED-Lit, Single Pane Mirror with Mounting Hardware	36" x 72" (36-1/4" x 72-1/4")

## Construction Specifications:

### Nominal Length

- 60" or 72"

### Frame Material

- Anodized Aluminum

### Frame Finish

- See Stylmark Color Library

### Mirror

- 1/4" Clear Mirror with Pencil Ground Edges & Category 1 Safety Backing

## LED Lighting Specifications (Model 620092):

### Color Temperature

- 3000K, 3700K, 4200K

### Nominal Wattage

- 32.5W or 39W

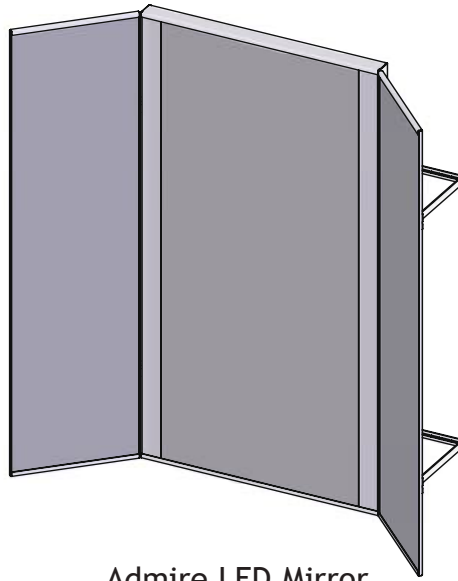
### Color Rendering Index

- 85

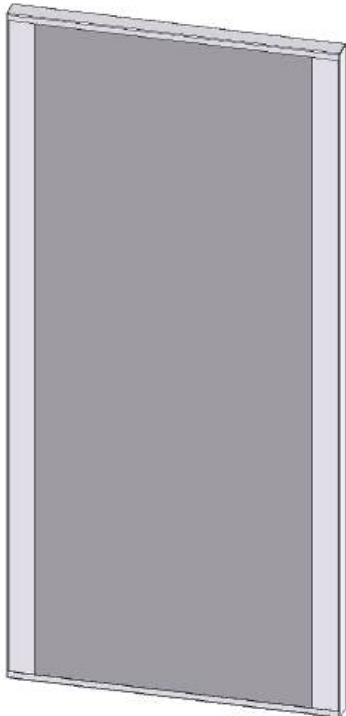
MIRRK7

# Admire LED Mirror

The ADMIRE LED Mirror from Stylmark combines budget-friendly design with flattering soft white LED lighting to a full length mirror perfect for fitting rooms. The simple styling will fit almost any decor. With the compact depth of the ADMIRE LED Mirror, fitting into your smaller rooms won't be a concern. Complement the fitting room experience and ease the buying decision with Stylmark's ADMIRE LED Mirror.



Admire LED Mirror  
(shown with wings)



Admire LED Mirror  
Model 620105-01-0BWHT40111



Admire Wing  
Model 620106-01-0BWHT40111



# Admire LED Mirror

Model #	Description	Mirror Size (O.D)
620105-01-0BWHT40111	Admire LED Mirror- White (Hardwired)	28" x 60" glass size (28.38" x 60.75" x 2.00")
620105-02-0BWHT40111	Admire LED Mirror- White (Hardwired, On/Off Switch)	
620105-03-0BWHT40111	Admire LED Mirror- White (Plug-in Cord)	
620105-04-0BWHT40111	Admire LED Mirror- White (Plug-in Cord, On/Off Switch)	
620105-05-0BWHT40111	Admire LED Mirror- White (Low Light, On/Off Switch)	
620105-06-0BWHT40111	Admire LED Mirror- White (Low Light, Plug-in Cord, On/Off Switch)	
620105-07-0BWHT40111	Admire LED Mirror- White (Plug-in Cord, On/Off Switch)	28" x 72" glass size (28.38" x 72.75" x 2.00")
620106-01-0BWHT40111	Admire Wing	14" x 60" glass size (14.28" x 60.78" x .500")
620106-02-0BWHT40111	Admire Wing	14" x 72" glass size (14.28" x 72.78" x .500")
520078-0BWHT40111	Admire 45° Wing Bracket Kit (one kit required per wing, contains two brackets)	11.50" x 9.00" x 3.00"
520079-0BWHT40111	Admire 60° Wing Bracket Kit (one kit required per wing, contains two brackets)	13.87" x 6.50" x 3.00"

## Construction Specifications:

### Nominal Length

- 60" or 72"

### Frame Material

- Steel

### Frame Finish

- White powder-coated

### Mirror

- 1/4" Clear Mirror with Pencil Ground Edges & Category 1 Safety Backing

## LED Lighting Specifications:

### Color Temperature

- 3000K (soft white)

### Brightness

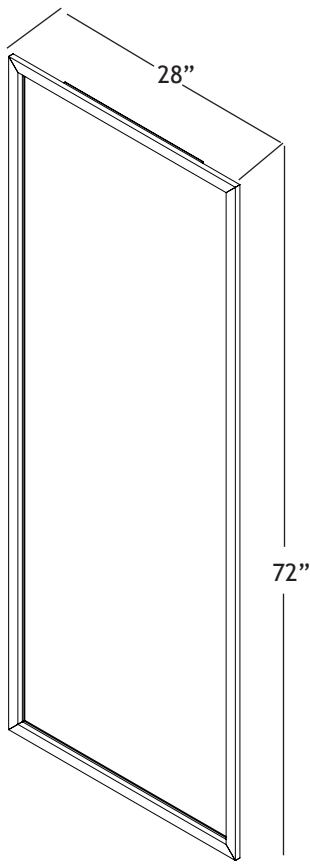
- 900 lumens  
(Models with low light option are 400 lumens)

### Color Rendering Index

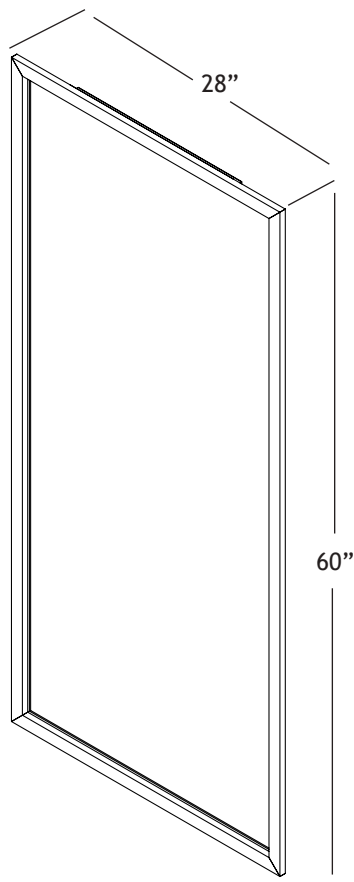
- 85+

# Fitting Room Mirror Kits

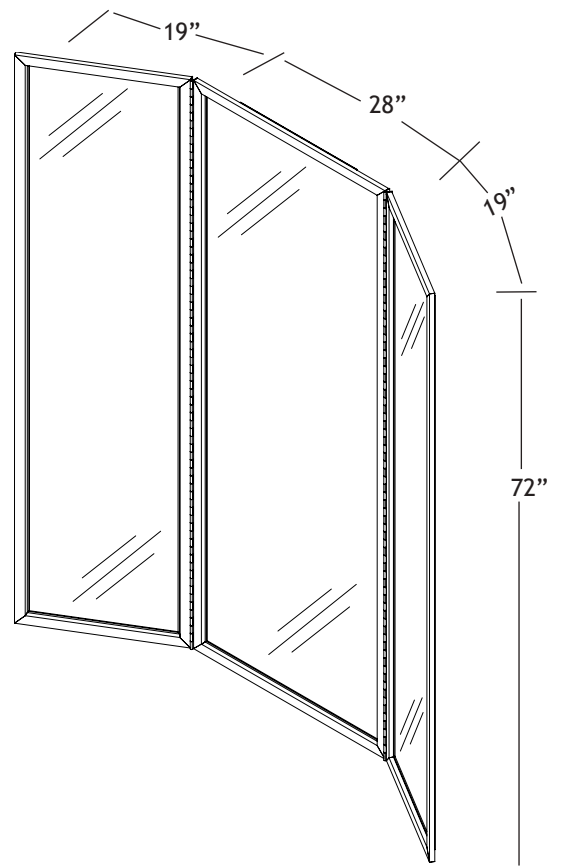
Model #	Description	Pane Dimensions
620083	Single Pane Mirror Kit	28" x 72"
620084	Single Pane Mirror Kit	28" x 60"
620085	Triple Pane Mirror Kit	19" (wing) x 28" x 72"



**Model #620083**  
Single Pane Mirror Kit  
28"x72"



**Model #620084**  
Single Pane Mirror Kit  
28"x60"



**Model #620085**  
Triple Pane Mirror Kit  
19"(wing)x28"x72"

MIRRKIT

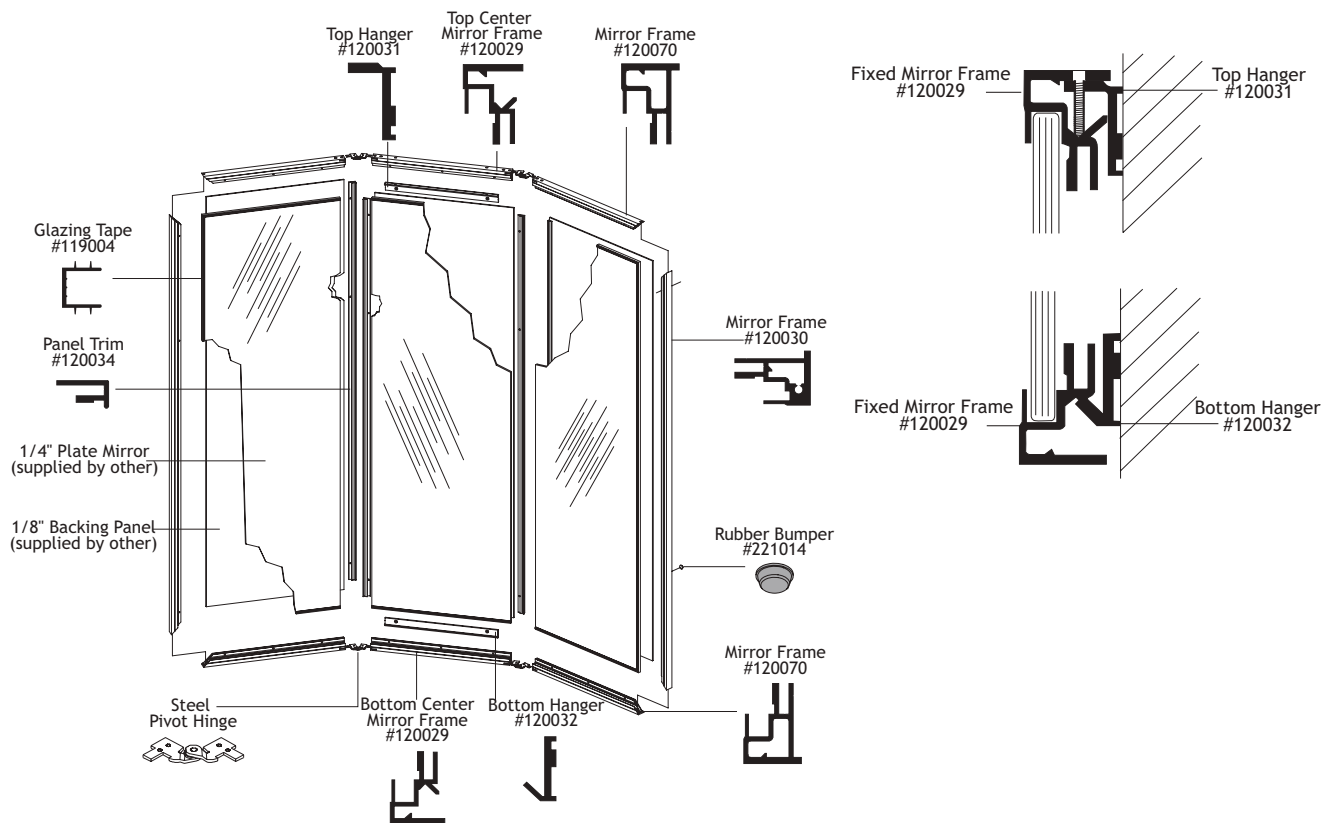
# Tri-View Mirror Frames

Stylmark designed our Tri-View Mirror Frames to maximize mirror space without metal mullions to obstruct the view. Each wing opens silently at the touch of the finger and a discreet steel pivot hinge provides increased stability. Frames components can be fabricated to meet custom size requirements.

## Ordering Tri-View Mirror

Model #	Description	Pane Dimensions
620033	Tri-View Mirror	Left Wing Width
		Right Wing Width
		Center Panel Width
		Overall Height


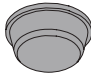
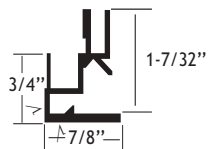
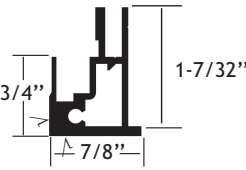
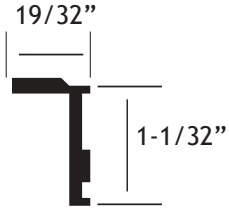
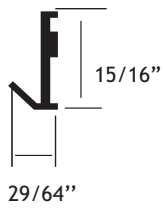
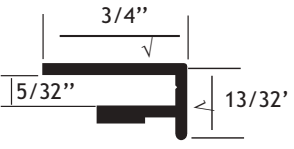
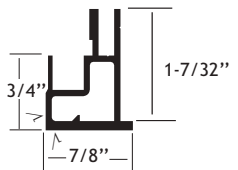
### Part #620033 Tri-View Mirror Assembly



- Notes:**
- Wings should not exceed 22" in width or 45 pounds in weight (equivalent to a 22" x 84" wing panel glazed with a 1/4" mirror).
  - Extra lead time may be required for mirrors with wings exceeding 22" x 66".
  - Mirror wings should not exceed 45 lbs.
  - Contact Stylmark Customer Care for assistance with glass sizes.

TV01

# Tri-View Mirror

<p>Part # 119004</p>  <p>1/4" Black Vinyl Glazing Tape</p>	<p>Part # 221014</p>  <p>Grey Bumper</p>	<p>Part # 120029</p>  <p>Fixed Mirror Frame</p>
<p>Part # 120030**</p>  <p>Tri-View Frame</p>	<p>Part # 120031*</p>  <p>Top Hanger</p>	<p>Part # 120032*</p>  <p>Bottom Hanger</p>
<p>Part # 120034</p>  <p>Panel Trim</p>	<p>Part # 120070**</p>  <p>Tri-View Wing Horizontal</p>	

- Notes:**
- \* Stock Length is 124"
  - \*\* Stock Length is 137"

√ = finished surface  
 Drawings are not to scale

TV01

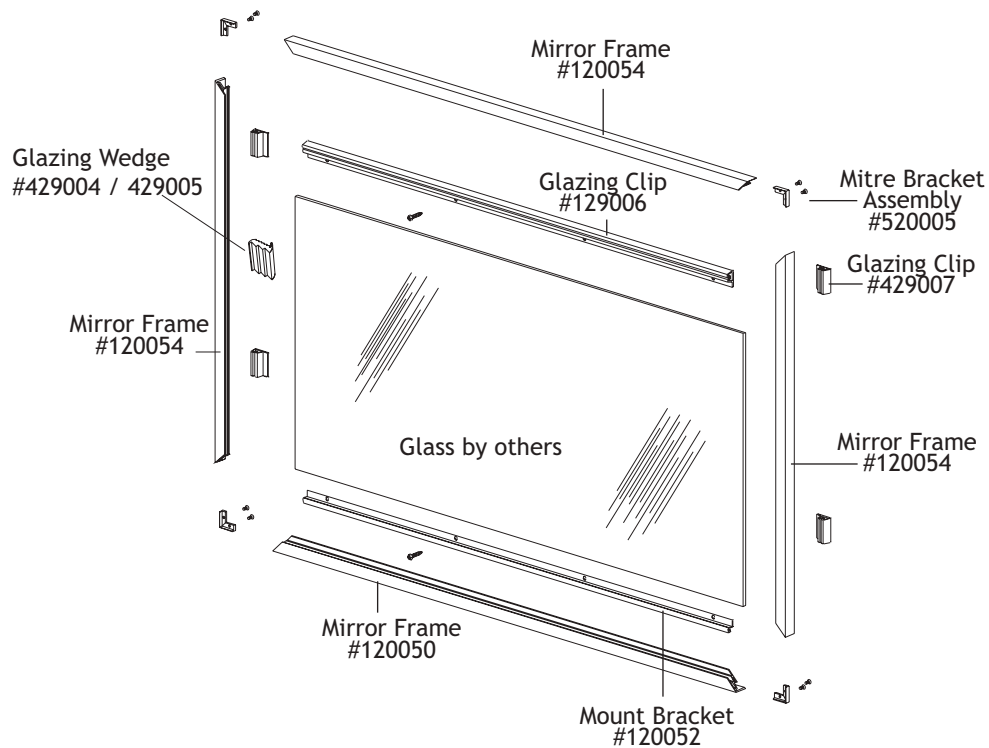
# Mirror Frames

Stylmark’s mirror frames allow for easy assembly, glazing and installation on-site. When placed in the mounting bracket, the installed mirrors are theft-proof. Mirror frame components are sold in 12’ stock lengths or material may be fabricated to meet your specific requirements.

## Ordering Mirror Frames

Model #	Description	Dimension: Width x Height
620062	Mirror Frame	Provide Mirror or Frame Dimensions

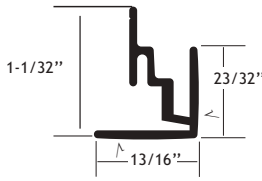
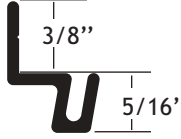
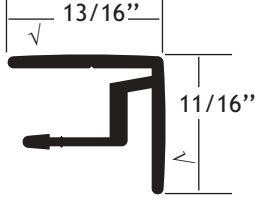


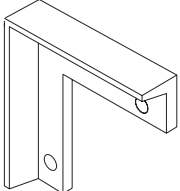
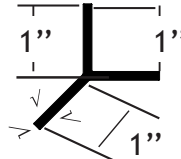
### Part #620062 Mirror Frame Assembly



- Notes:**
- Frame size min / max dimensions are 10” x 144”
  - Mirror sizes will be provided on order acknowledgement from Stylmark
  - Mirror frame materials can be ordered in 12 foot lengths for customer fabrication

MIRR01

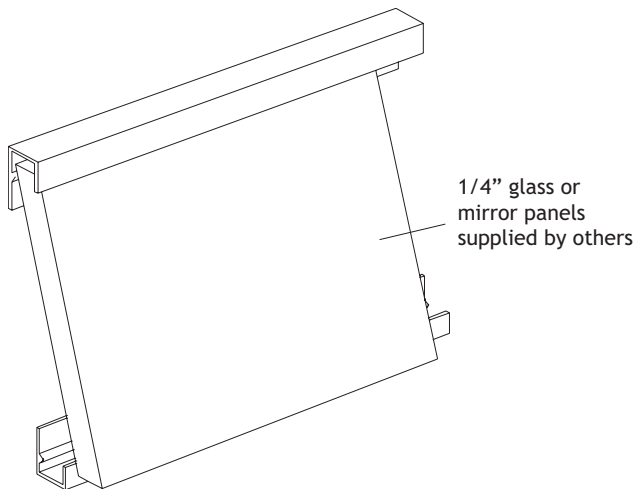
# Mirror Frames

<p><b>Part # 120050</b></p>	<p><b>Part # 120052</b></p>	<p><b>Part # 120054</b></p>
 <p>Mirror Frame - Bottom</p>	 <p>Mount Bracket</p>	 <p>Mirror Frame</p>
<p><b>Part # 129006 (12")</b> <b>Part # 429007 (1-1/2")</b></p>	<p><b>Part # 429004 (1/4")</b></p>	<p><b>Part # 520005</b></p>
 <p>Plastic Glazing Clip</p>	 <p>Glazing Wedge</p>	 <p>Mitre Bracket Assembly</p>
<p><b>Part # 111068</b></p>		
 <p>Y Molding</p>		

√ = finished surface  
Drawings are not to scale

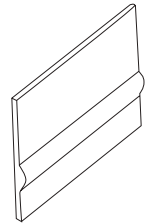
# Mirror Trims

Stylmark's Mirror Trims offer beautiful options for protecting and trimming mirrors and mirrored walls. Our J-Molding may be used at the top and bottom of a floor to ceiling mirror application. When a horizontal or vertical accent is required, use one of our two Divider Trims. Mirror Trim products may be ordered in 12 foot stock lengths or pre-cut to your desired length.

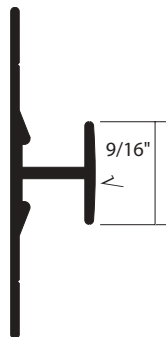


To install, simply position the mirror into the top channel, and then lower it into the bottom channel.

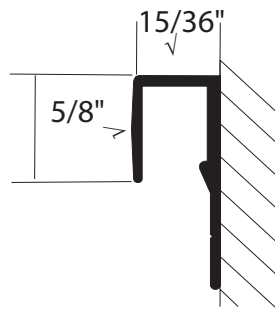
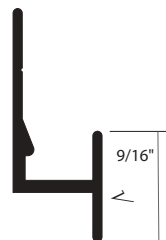
Stylmark's J-Molding and Divider Trims feature a raised ridge to protect the mirror backing.



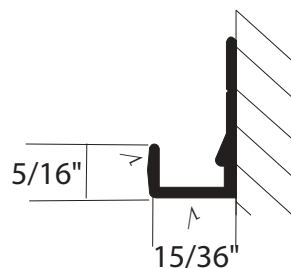
Mirror Divider Trim  
**Part #420109:**  
 with holes  
**Part #120061:**  
 without holes



Mirror Divider Trim  
**Part #420108:**  
 with holes  
**Part #120057:**  
 without holes



J-Molding  
**Part #420107:** with holes  
**Part #120055:** without holes



J-Molding  
**Part #420068:** with holes  
**Part #120041:** without holes

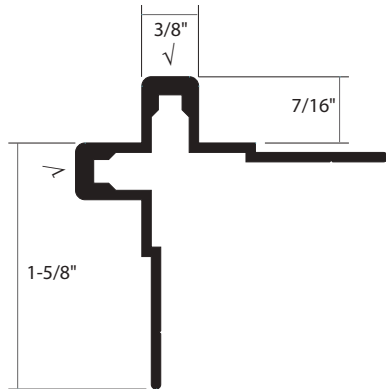
√ = finished surface  
 Drawings are not to scale

# Mirror Trims

**Part #420110:** Corner Column Trim with slots

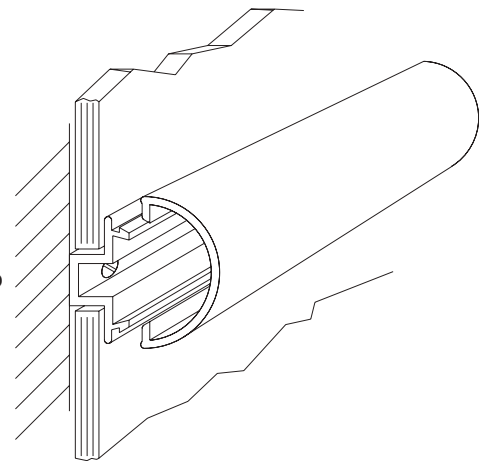
**Part #120063:** Corner Column Trim without slots

This Mirror Trim features slotting measuring  $9/64'' \times 39/64''$ . Slots are set  $1''$  on center, beginning  $18''$  from one end and continuing for another  $66''$ . It accepts Capital B-line (2300 series) and Crown Le-Mans series brackets (by others). This molding will not accept K.V. Bracket 160 or 161.



**Part #410466:** Recessed Trim Base

Design a mirrored wall with your favorite Stylmark Trim Maker shapes. By using this recessed trim base, a  $1/4''$  mirror fits perfectly between your wall and our trim. See our Architectural Trim and Moldings brochure for choices of trims.

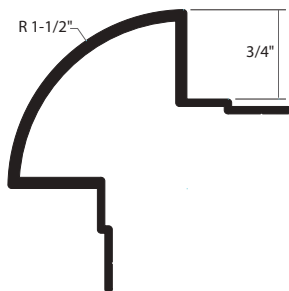


Part #410466

**Part #120064**

**1-1/2" Radius Column Corner Trim**

This Mirror Trim provides a radiused corner with stepped reveal and has been developed especially for  $3/4''$  panels.



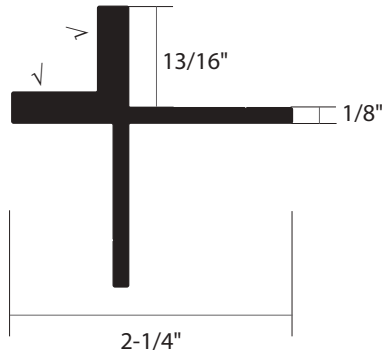
√ = finished surface  
Drawings are not to scale

TV01

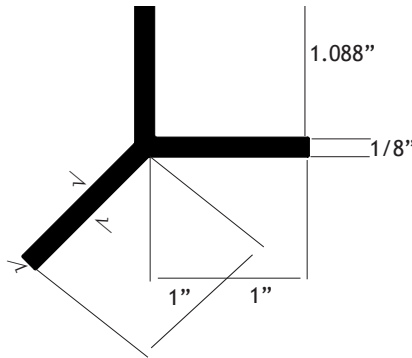


# Mirror Trims

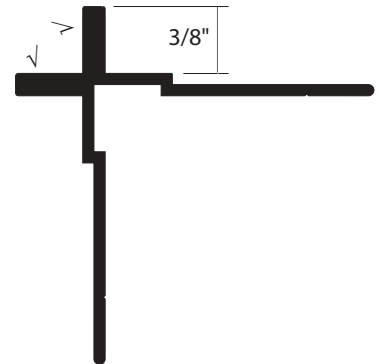
**Part #110669**  
3/4" Column Edge



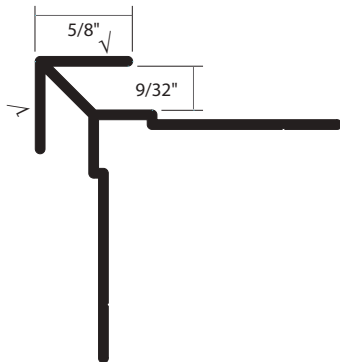
**Part #111068**  
Y Molding



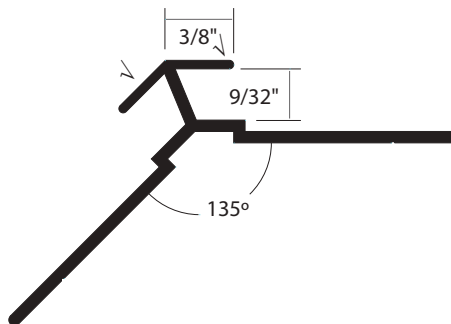
**Part #120058**  
Column Edge Trim



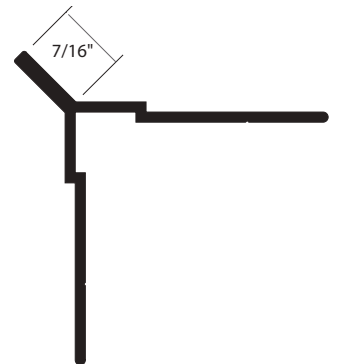
**Part #120065**  
90° Column Trim



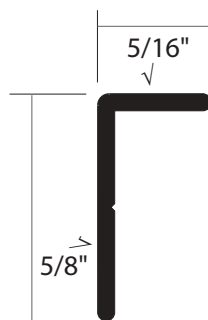
**Part #120066**  
135° Column Trim



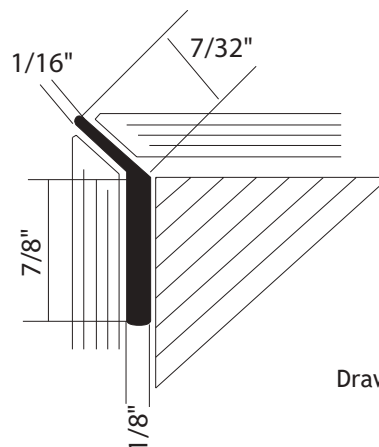
**Part #120067**  
90° Outside Corner Trim



**Part #120059**  
90° Outside Corner Trim



**Part #120062**  
45° Column Trim



√ = finished surface  
Drawings are not to scale

MIRRO1