

3

2

1

D

D

C

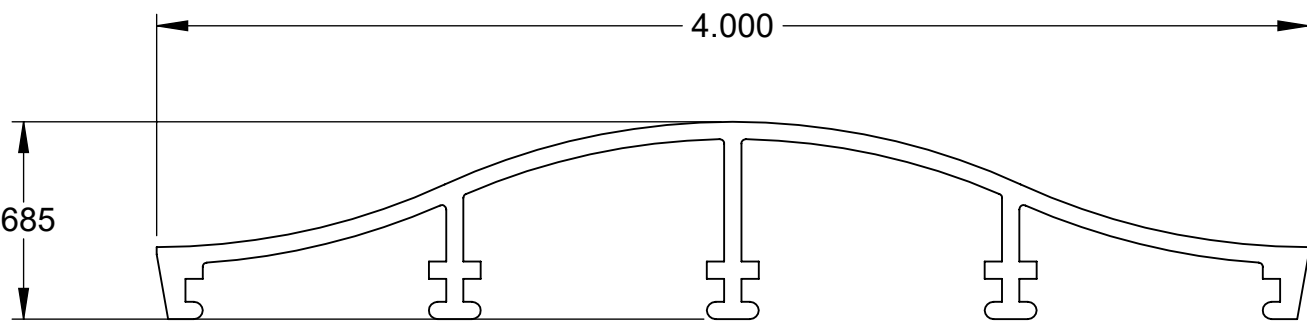
C

B

B

A

A



DESCRIPTION

WAVE, AXIA PRO .685 X 4.000

DWG. NO.

S190205



Stylmark Incorporated
 6536 Main St. N.E. * P.O. Box 32008
 Minneapolis, MN 55432-0008

THIS PRINT IS NOT TO BE
 USED FOR PRODUCTION.

| | | | | | | |
|------------------|-------------------|---------------|--------------------------------|------------------|------------------|-----------------|
| DRAWN BY: DMR | DATE: 09/22/23 | SCALE: 3:2 | MATERIAL: 6463-T6 EXTR ALUM | SHEET SIZE: A | SHEET: 1 OF 1 | REV LEVEL: A |
|------------------|-------------------|---------------|--------------------------------|------------------|------------------|-----------------|

3

2

1