

3

2

1

D

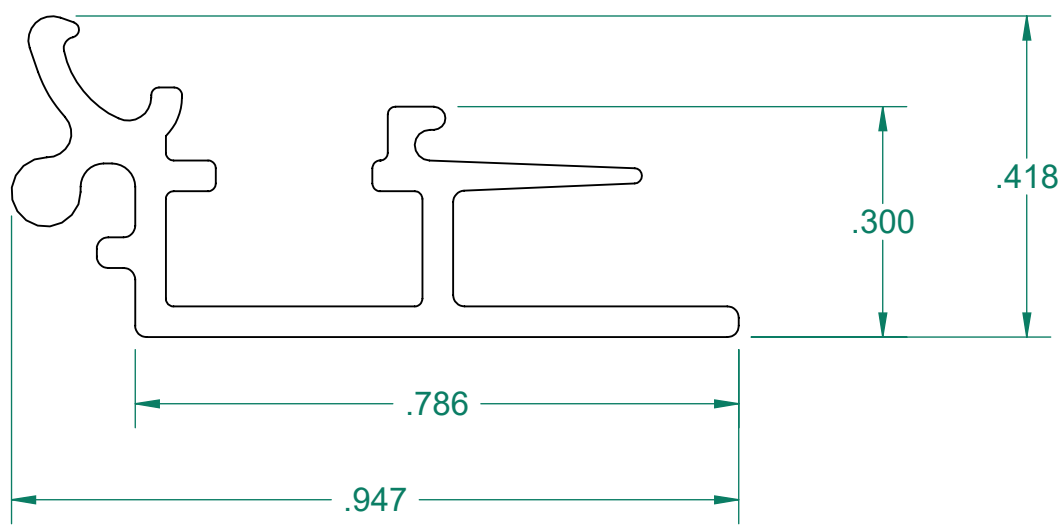
D

C

C

B

B



A

A

DESCRIPTION

BACK FRAME, 1" PRINT FRAME

DWG. NO.

S190056



Stylmark Incorporated
 6536 Main St. N.E. * P.O. Box 32008
 Minneapolis, MN 55432-0008

THIS PRINT IS NOT TO BE
 USED FOR PRODUCTION.

DRAWN BY: JAO	DATE: 9/29/10	SCALE: 4:1	MATERIAL: 6063-T5 EXTR ALUM	SHEET SIZE: A	SHEET: 1 OF 1	REV LEVEL: C
------------------	------------------	---------------	--------------------------------	------------------	------------------	-----------------

3

2

1