

3

2

1

D

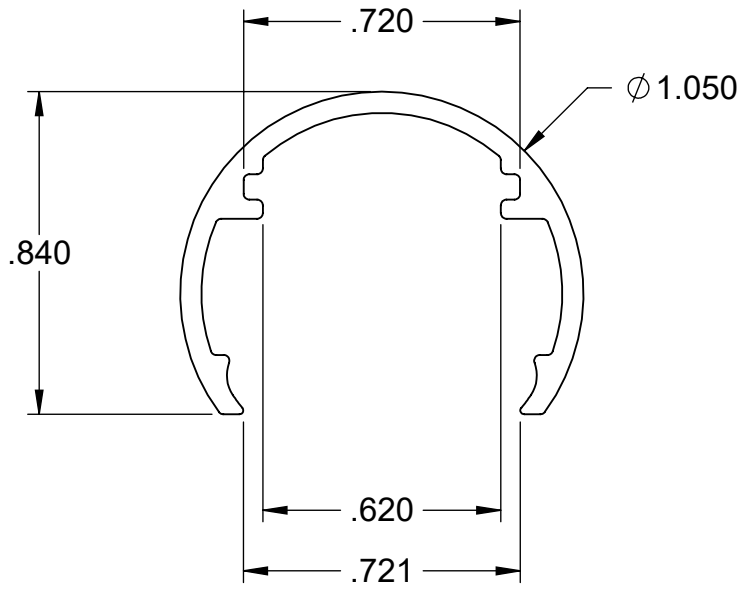
D

C

C

B

B



A

A

DESCRIPTION

SHELL, REFLECTOR 1.0 DIAMETER

DWG. NO.

S180133



Stylmark Incorporated  
 6536 Main St. N.E. \* P.O. Box 32008  
 Minneapolis, MN 55432-0008

THIS PRINT IS NOT TO BE  
 USED FOR PRODUCTION.

|                  |                   |               |                                 |                  |                  |                 |
|------------------|-------------------|---------------|---------------------------------|------------------|------------------|-----------------|
| DRAWN BY:<br>TSS | DATE:<br>01/22/07 | SCALE:<br>2:1 | MATERIAL:<br>6463-T52 EXTR ALUM | SHEET SIZE:<br>A | SHEET:<br>1 OF 1 | REV LEVEL:<br>B |
|------------------|-------------------|---------------|---------------------------------|------------------|------------------|-----------------|

3

2

1