

3

2

1

D

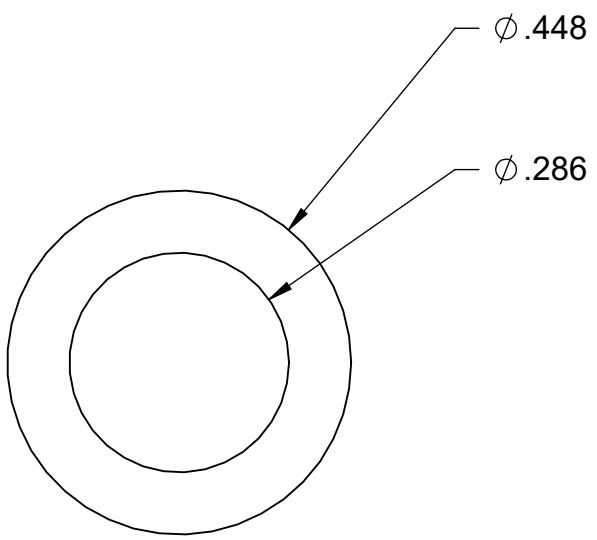
D

C

C

B

B



A

A

DESCRIPTION

DOWNTUBE, .448 OD X .286 ID

DWG. NO.

S180127



Stylmark Incorporated  
 6536 Main St. N.E. \* P.O. Box 32008  
 Minneapolis, MN 55432-0008

THIS PRINT IS NOT TO BE  
 USED FOR PRODUCTION.

DRAWN BY: TSS	DATE: 06/28/06	SCALE: 4:1	MATERIAL: 6463-T6 EXTR ALUM	SHEET SIZE: A	SHEET: 1 OF 1	REV LEVEL: B
------------------	-------------------	---------------	--------------------------------	------------------	------------------	-----------------

3

2

1