

3

2

1

D

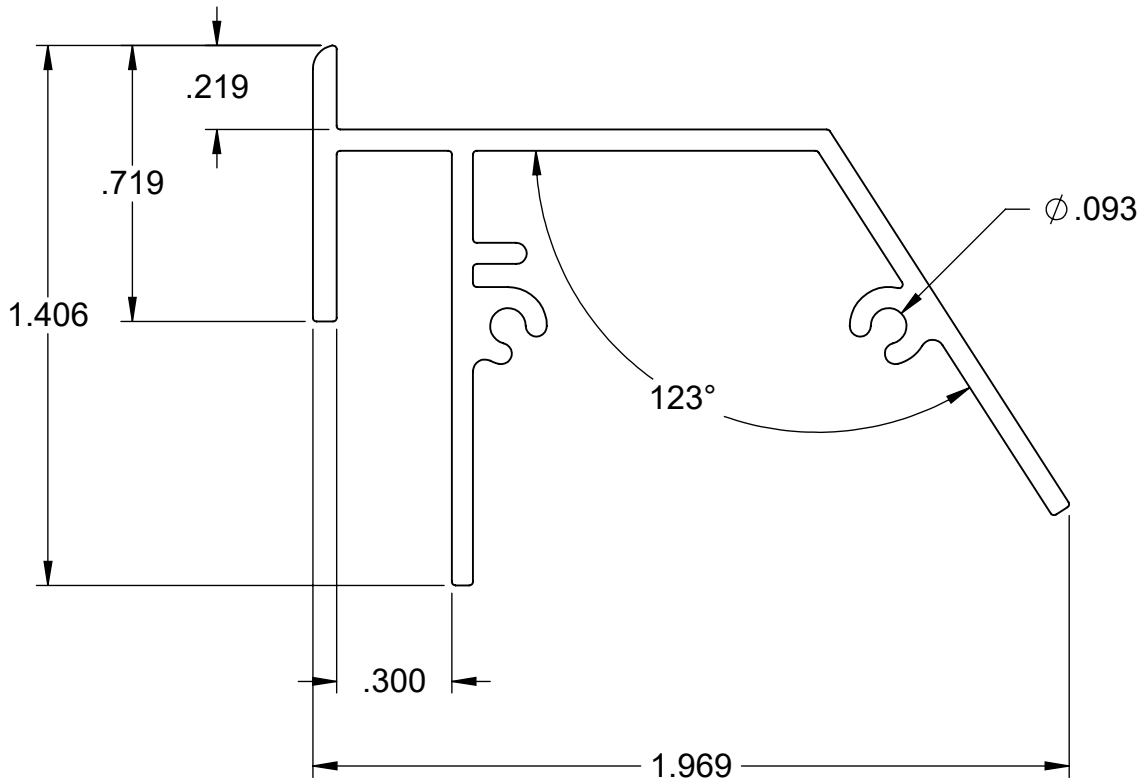
D

C

C

B

B



A

A

DESCRIPTION

DWG. NO.

REFLECTOR SHELL, WITH INTEGRATED TEE

S180118



Stylmark Incorporated
 6536 Main St. N.E. * P.O. Box 32008
 Minneapolis, MN 55432-0008

THIS PRINT IS NOT TO BE
 USED FOR PRODUCTION.

DRAWN BY:

DATE:

SCALE:

MATERIAL:

SHEET SIZE:

SHEET:

REV LEVEL:

BJH

08/29/05

2:1

6463-T6 EXTR ALUM

A

1 OF 1

C

3

2

1