

3

2

1

D

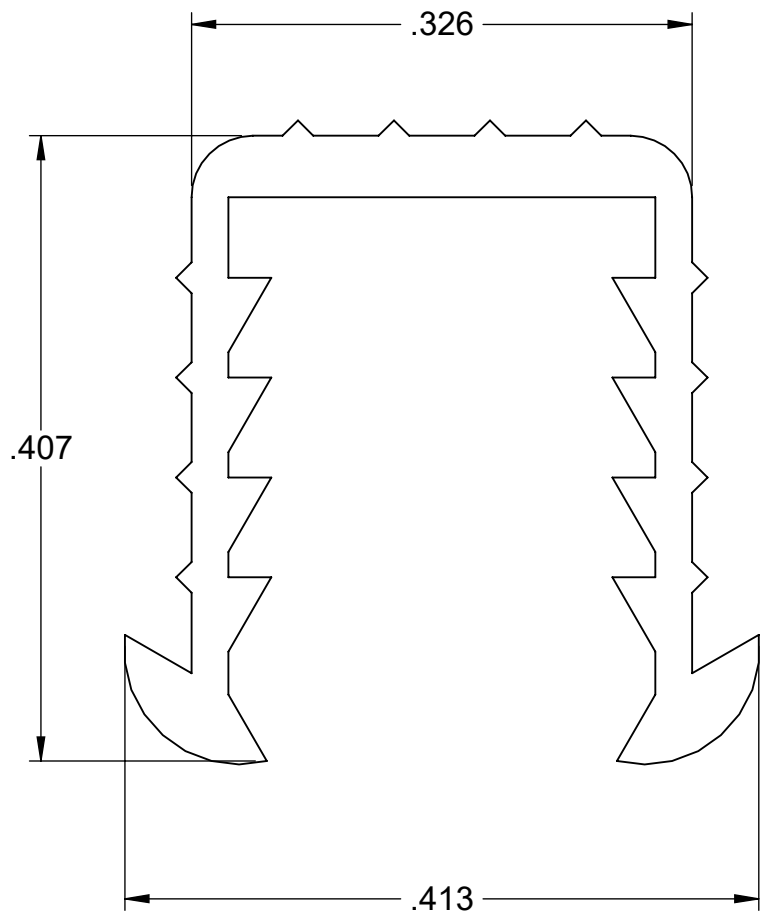
D

C

C

B

B



A

A

DESCRIPTION

GLAZING, CHANNEL VINYL .25

DWG. NO.

S139007



Stylmark Incorporated
 6536 Main St. N.E. * P.O. Box 32008
 Minneapolis, MN 55432-0008

THIS PRINT IS NOT TO BE
 USED FOR PRODUCTION.

DRAWN BY: DR	DATE: 05/02/91	SCALE: 8:1	MATERIAL: BLACK EXTRUDED VINYL	SHEET SIZE: A	SHEET: 1 OF 1	REV LEVEL: H
-----------------	-------------------	---------------	-----------------------------------	------------------	------------------	-----------------

3

2

1