

3

2

1

D

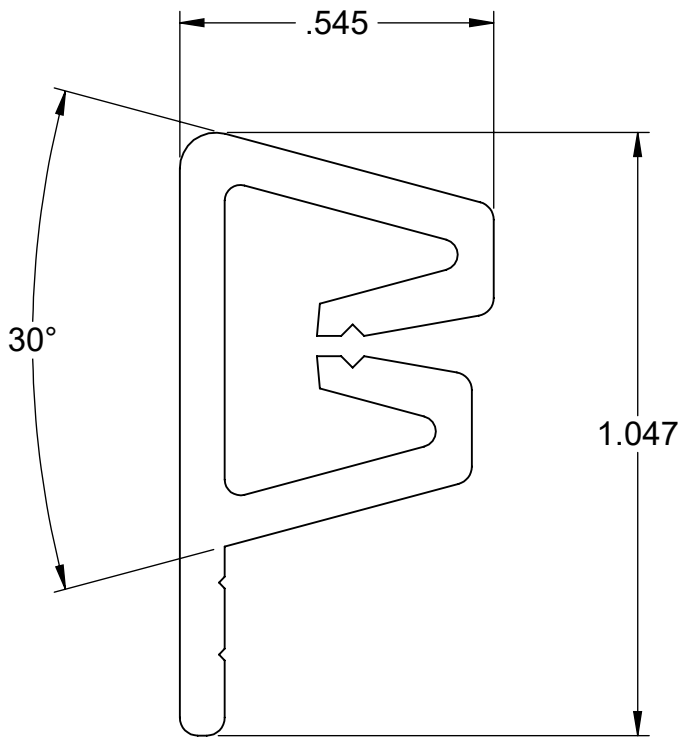
D

C

C

B

B



A

A

DESCRIPTION

DWG. NO.

GLAZING CLIP, RIGID VINYL

S129006



Stylmark Incorporated
 6536 Main St. N.E. * P.O. Box 32008
 Minneapolis, MN 55432-0008

THIS PRINT IS NOT TO BE
 USED FOR PRODUCTION.

DRAWN BY: DR	DATE: 04/25/91	SCALE: 3:1	MATERIAL: GEON 8700A RIGID PVC	SHEET SIZE: A	SHEET: 1 OF 1	REV LEVEL: C
-----------------	-------------------	---------------	-----------------------------------	------------------	------------------	-----------------

3

2

1