

3

2

1

D

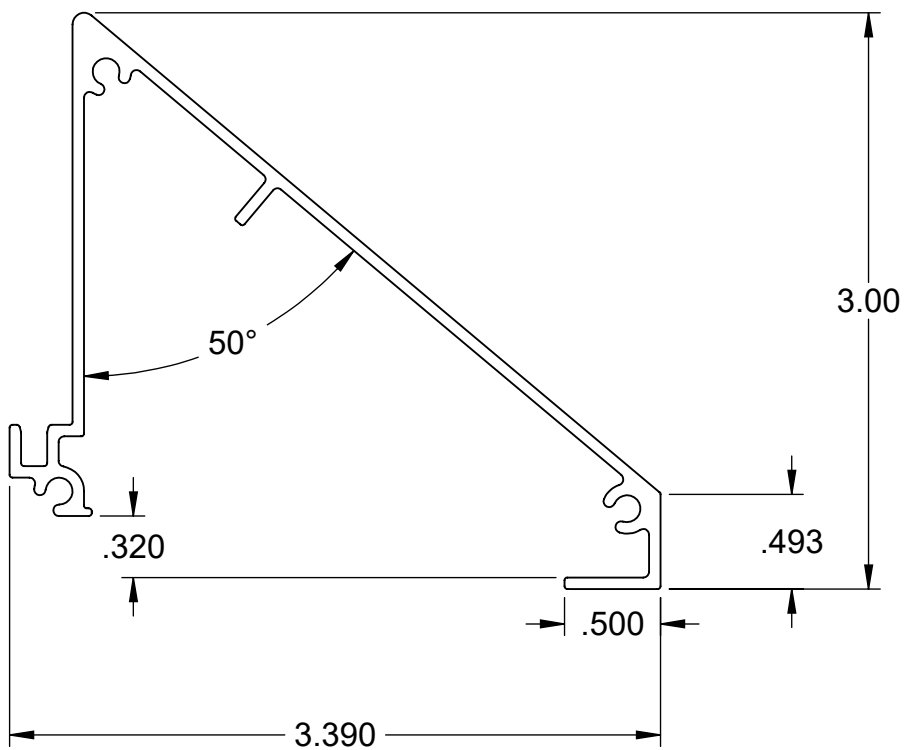
D

C

C

B

B



A

A

DESCRIPTION

BEVELED MIRROR VERTICAL MEMBER

DWG. NO.

S120080



Stylmark Incorporated  
 6536 Main St. N.E. \* P.O. Box 32008  
 Minneapolis, MN 55432-0008

THIS PRINT IS NOT TO BE  
 USED FOR PRODUCTION.

DRAWN BY:  
**TLM**

DATE:  
**1/09/14**

SCALE:  
**1:1**

MATERIAL:  
**6463-T6 EXTR ALUM**

SHEET SIZE:  
**A**

SHEET:  
**1 OF 1**

REV LEVEL:  
**B**

3

2

1