

3

2

1

D

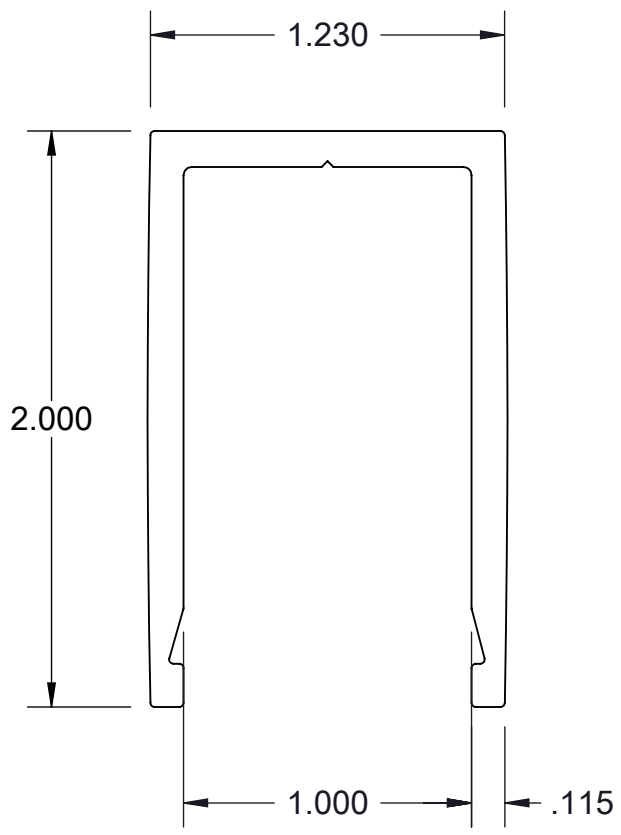
D

C

C

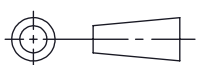

B

B



A

A

DIMENSIONS ARE IN INCHES (UNLESS OTHERWISE SPEC.) EST. AREA .601 EST. WT. .721 EST. PER. 10.246 DIE NO. C8171 	MATERIAL 6463-T6 EXTR ALUM PRM HOMOGENIZED BL		 Stylmark Incorporated 6536 Main St. N.E. * P.O. Box 32008 Minneapolis, MN 55432-0008		DESCRIPTION <b>CHANNEL, 1.25 X 2.00 WITH GROOVE</b>		
	FINISH						
	APPROVALS	DATE	SIZE	SCALE		DWG. NO.	REV.
	DRAWN TLM	04/08/19	A	3:2		S111089	A
	CHECKED GAS	04/08/19	This document may not be used or reproduced in any manner without Stylmark, Inc. advance knowledge and written permission.			SHEET 1 OF 1	
APP TSS	04/08/19						

3

2

1