

3

2

1

D

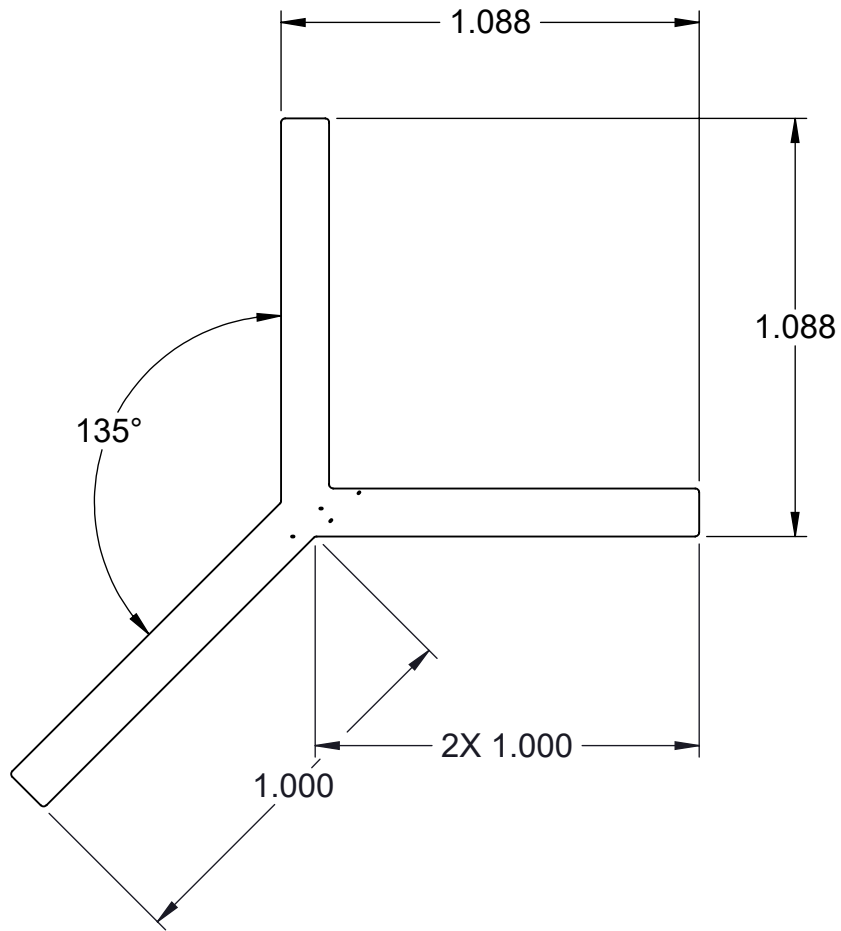
D

C

C

B

B



A

A

DESCRIPTION

MOLDING, Y 1.000 X 1.000 X 1.000

DWG. NO.

S111068



Stylmark Incorporated
 6536 Main St. N.E. * P.O. Box 32008
 Minneapolis, MN 55432-0008

THIS PRINT IS NOT TO BE
 USED FOR PRODUCTION.

DRAWN BY:
BAB

DATE:
07/30/15

SCALE:
2:1

MATERIAL:
6463-T6 EXTR ALUM

SHEET SIZE:
A

SHEET:
1 OF 1

REV LEVEL:
A

3

2

1