

3

2

1

D

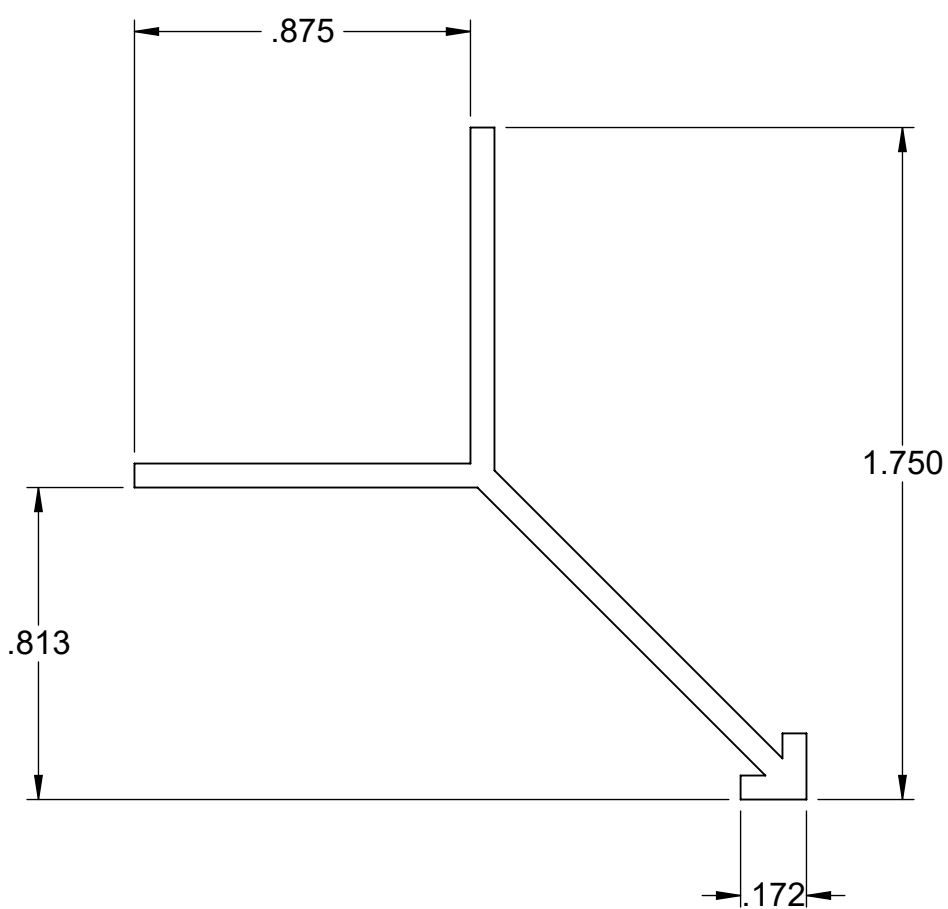
D

C

C

B

B



A

A

DESCRIPTION

TRIM, OUTSIDE CORNER 90 DEG

DWG. NO.

S110993



Stylmark Incorporated  
 6536 Main St. N.E. \* P.O. Box 32008  
 Minneapolis, MN 55432-0008

THIS PRINT IS NOT TO BE  
 USED FOR PRODUCTION.

DRAWN BY:  
**SAA**

DATE:  
 10/22/14

SCALE:  
 2:1

MATERIAL:  
 6463-T6 EXTR ALUM

SHEET SIZE:  
 A

SHEET:  
 1 OF 1

REV LEVEL:  
 A

3

2

1