

3

2

1

D

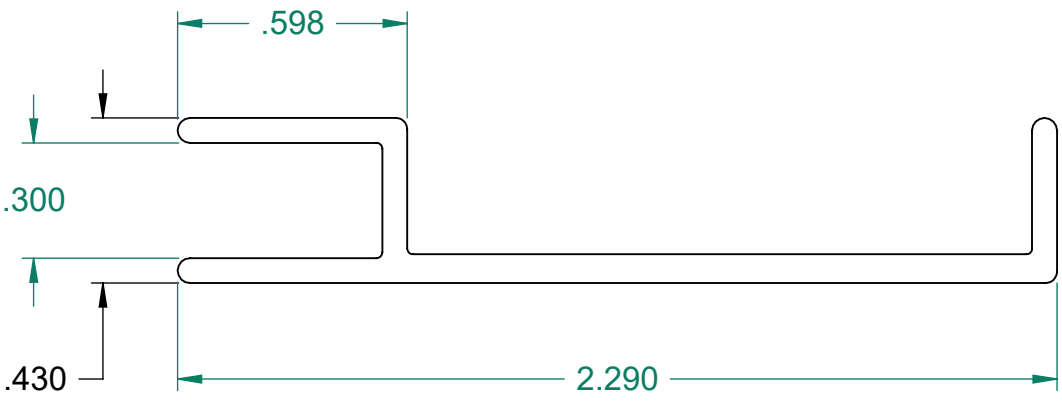
D

C

C

B

B



A

A

DESCRIPTION

DOOR PULL, 1/4 GLASS 2.290

DWG. NO.

S110951



Stylmark Incorporated  
 6536 Main St. N.E. \* P.O. Box 32008  
 Minneapolis, MN 55432-0008

THIS PRINT IS NOT TO BE  
 USED FOR PRODUCTION.

DRAWN BY: JAH	DATE: 01/27/11	SCALE: 2:1	MATERIAL: 6463-T6 EXTR ALUM	SHEET SIZE: A	SHEET: 1 OF 1	REV LEVEL: A
------------------	-------------------	---------------	--------------------------------	------------------	------------------	-----------------

3

2

1