

3

2

1

D

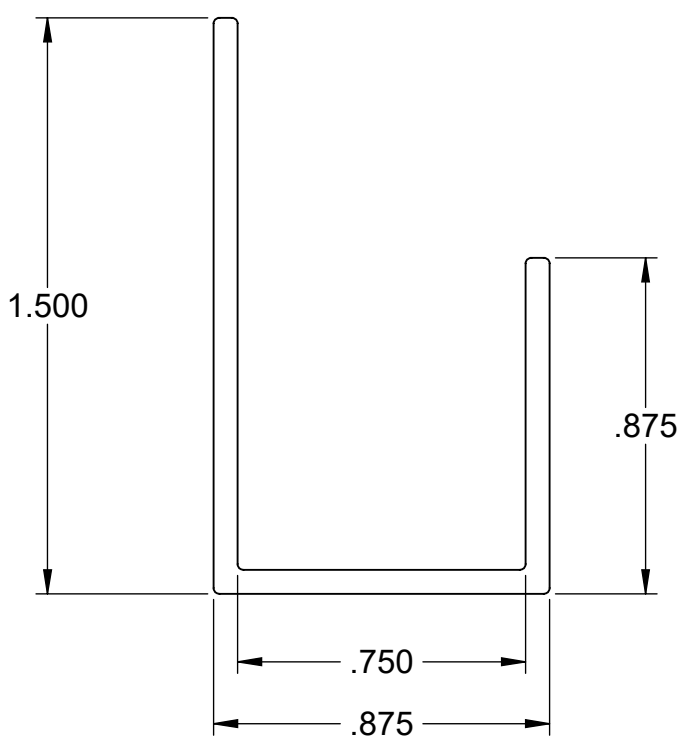
D

C

C

B

B



A

A

DESCRIPTION

J CHANNEL, 1.500 X .875 RECYCLE

DWG. NO.

S110783



Stylmark Incorporated
 6536 Main St. N.E. * P.O. Box 32008
 Minneapolis, MN 55432-0008

THIS PRINT IS NOT TO BE
 USED FOR PRODUCTION.

DRAWN BY:
 TSS

DATE:
 9/25/08

SCALE:
 2:1

MATERIAL:
 6063-T6 RECYCLE

SHEET SIZE:
 A

SHEET:
 1 OF 1

REV LEVEL:
 A

3

2

1