

3

2

1

D

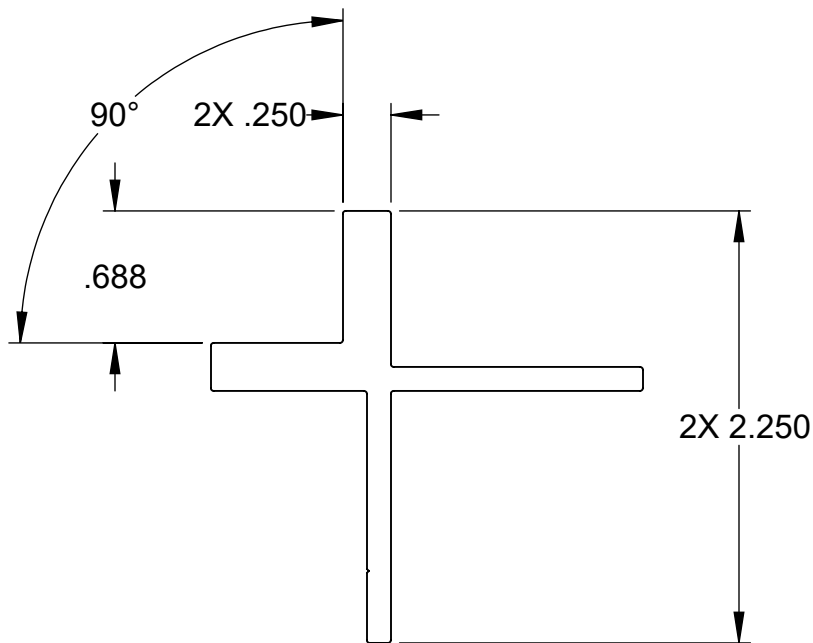
D

C

C

B

B



A

A

DESCRIPTION

EDGE MOULDING, .750 COLUMN

DWG. NO.

S110669



Stylmark Incorporated
 6536 Main St. N.E. * P.O. Box 32008
 Minneapolis, MN 55432-0008

THIS PRINT IS NOT TO BE
 USED FOR PRODUCTION.

DRAWN BY:

TO

DATE:

02/25/03

SCALE:

1:1

MATERIAL:

6463-T6 EXTR ALUM

SHEET SIZE:

A

SHEET:

1 OF 1

REV LEVEL:

E

3

2

1