

3

2

1

D

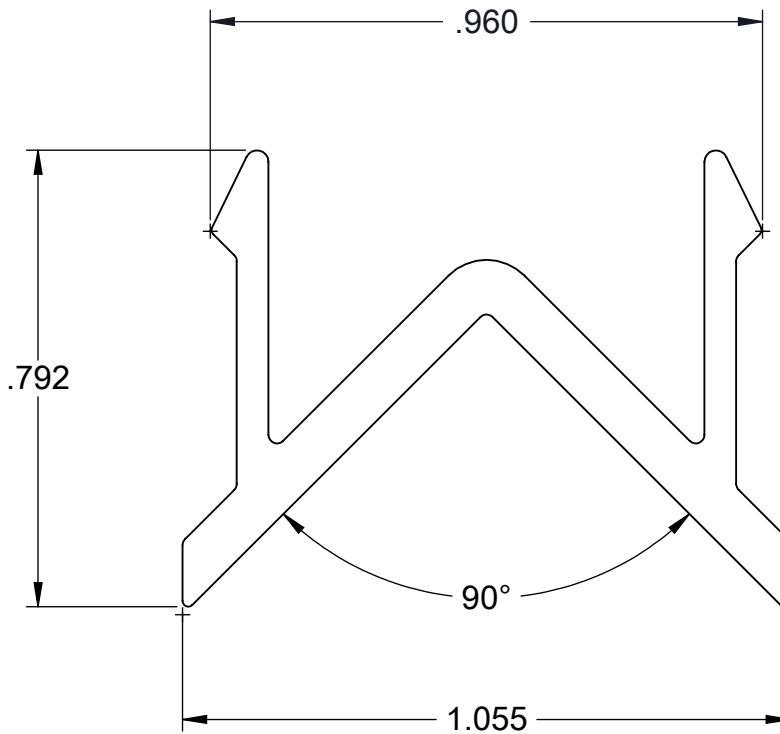
D

C

C

B

B



A

A

DESCRIPTION

COVER, INSIDE 90 DEG

DWG. NO.

S110660



Stylmark Incorporated
 6536 Main St. N.E. * P.O. Box 32008
 Minneapolis, MN 55432-0008

THIS PRINT IS NOT TO BE
 USED FOR PRODUCTION.

DRAWN BY:
JAB

DATE:
10/24/02

SCALE:
3:1

MATERIAL:
6463-T6 EXTR ALUM

SHEET SIZE:
A

SHEET:
1 OF 1

REV LEVEL:
H

3

2

1