

3

2

1

D

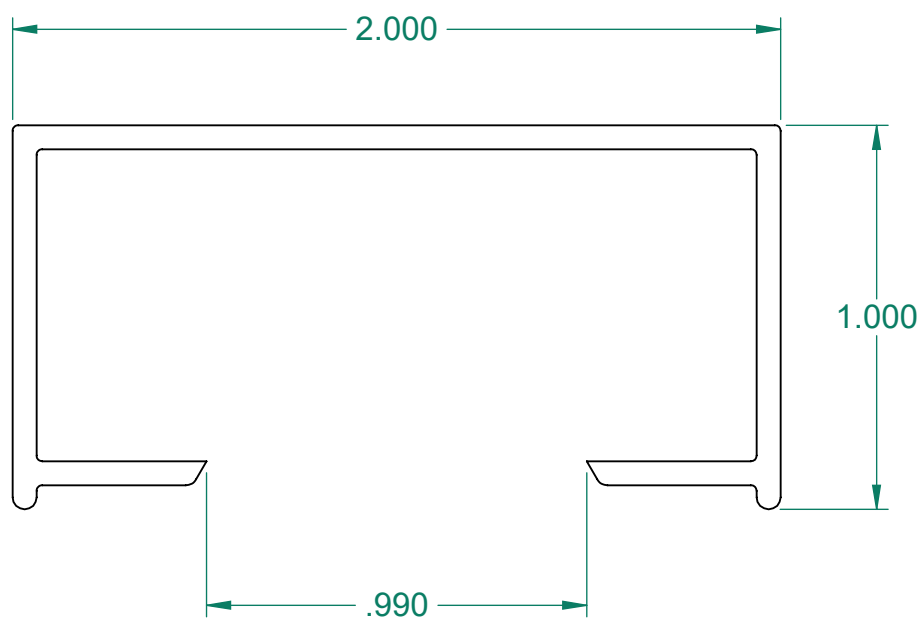
D

C

C

B

B



A

A

DESCRIPTION

TRIM, RECTANGULAR 2.000 X 1.000

DWG. NO.

S110639



Stylmark Incorporated
 6536 Main St. N.E. * P.O. Box 32008
 Minneapolis, MN 55432-0008

THIS PRINT IS NOT TO BE
 USED FOR PRODUCTION.

DRAWN BY: JAB	DATE: 1/24/00	SCALE: 2:1	MATERIAL: 6463-T6 EXTR ALUM	SHEET SIZE: A	SHEET: 1 OF 1	REV LEVEL: B
------------------	------------------	---------------	--------------------------------	------------------	------------------	-----------------

3

2

1