

3

2

1

D

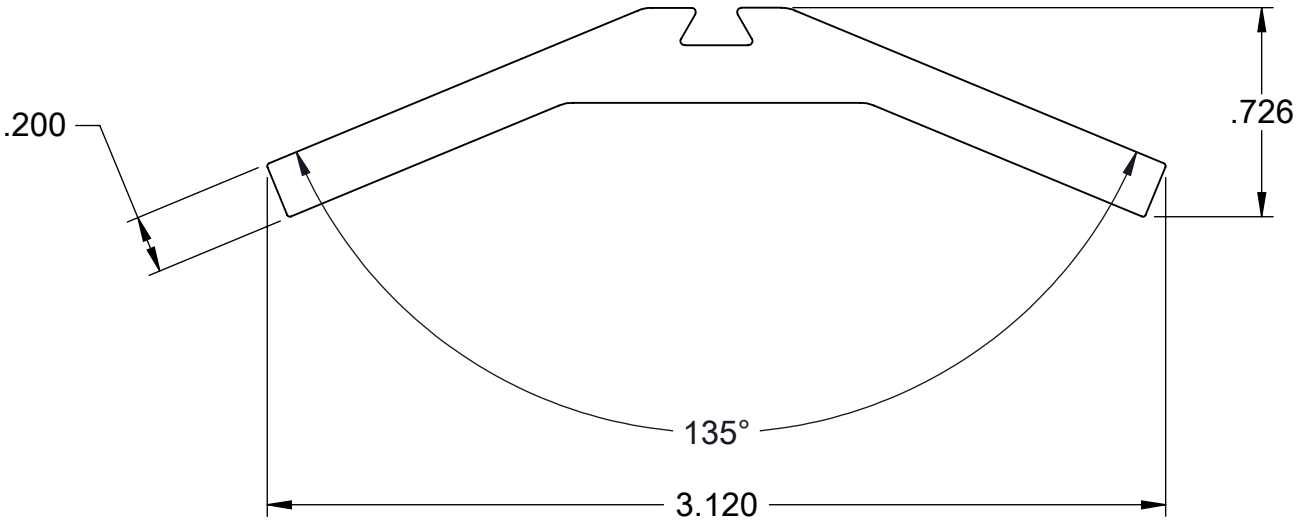
D

C

C

B

B



A

A

DESCRIPTION

GLASS CLIP, RETAINER 135 DEG

DWG. NO.

S110638



Stylmark Incorporated  
 6536 Main St. N.E. \* P.O. Box 32008  
 Minneapolis, MN 55432-0008

THIS PRINT IS NOT TO BE  
 USED FOR PRODUCTION.

DRAWN BY: JGB	DATE: 03/6/00	SCALE: 3:2	MATERIAL: 6463-T6 EXTR ALUM	SHEET SIZE: A	SHEET: 1 OF 1	REV LEVEL: B
------------------	------------------	---------------	--------------------------------	------------------	------------------	-----------------

3

2

1