

3

2

1

D

D

C

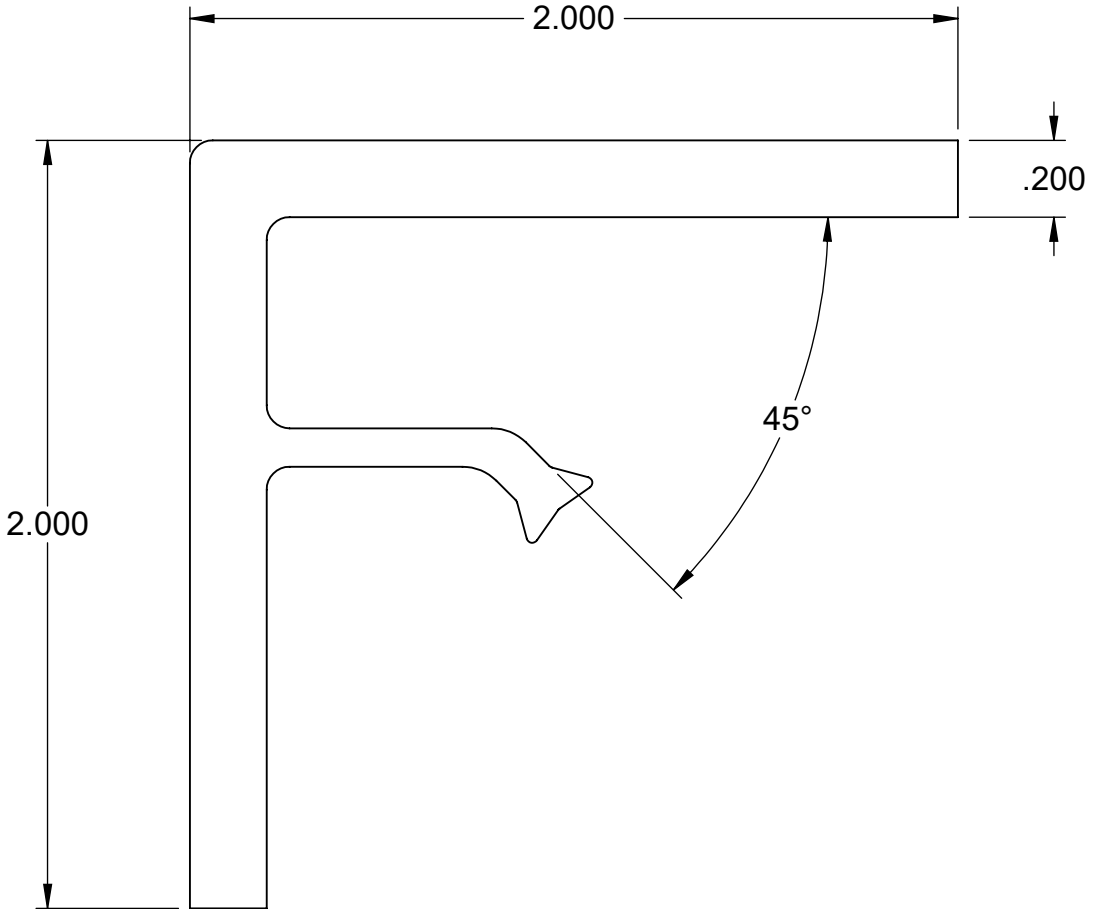
C

B

B

A

A



DESCRIPTION

GLASS CLIP, 90 DEG ROUND

DWG. NO.

S110635



Stylmark Incorporated
 6536 Main St. N.E. * P.O. Box 32008
 Minneapolis, MN 55432-0008

THIS PRINT IS NOT TO BE
 USED FOR PRODUCTION.

DRAWN BY:

LNA

DATE:

06/09/09

SCALE:

2:1

MATERIAL:

6463-T6 EXTR ALUM

SHEET SIZE:

A

SHEET:

1 OF 1

REV LEVEL:

B

3

2

1