

3

2

1

D

D

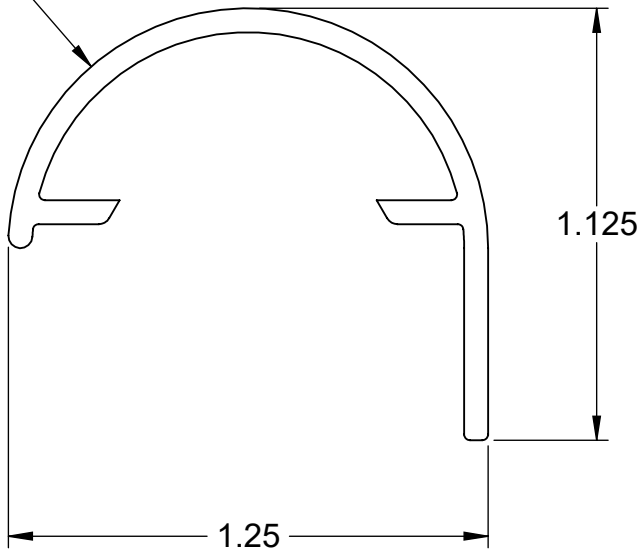
C

C

B

B

R.625



A

A

DESCRIPTION

TRIM, HALF ROUND 1.25 W/ RETURN

DWG. NO.

S110507



Stylmark Incorporated  
 6536 Main St. N.E. \* P.O. Box 32008  
 Minneapolis, MN 55432-0008

THIS PRINT IS NOT TO BE  
 USED FOR PRODUCTION.

DRAWN BY:  
 RG

DATE:  
 3/16/93

SCALE:  
 2:1

MATERIAL:  
 6463-T6 EXTR ALUM

SHEET SIZE:  
 A

SHEET:  
 1 OF 1

REV LEVEL:  
 P1

3

2

1