

3

2

1

D

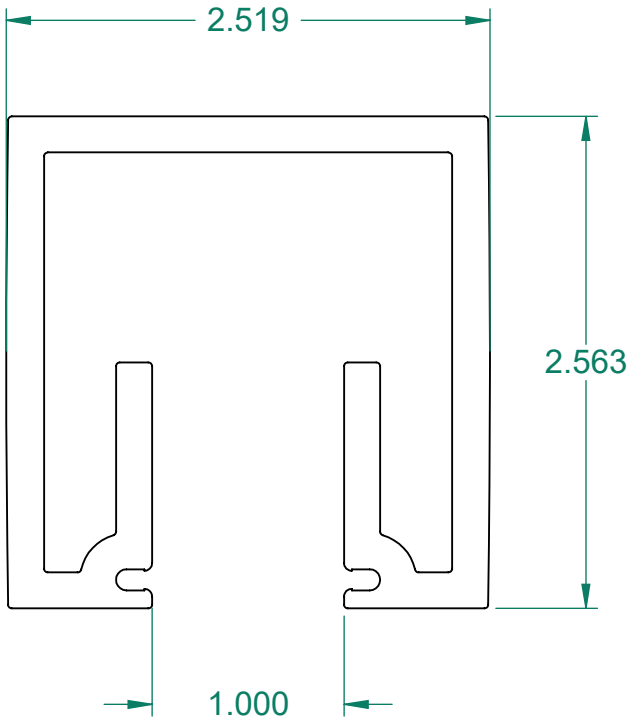
D

C

C

B

B



A

A

DESCRIPTION

HEADER, DELUXE 2.562 X 2.50

DWG. NO.

S110434



Stylmark Incorporated
 6536 Main St. N.E. * P.O. Box 32008
 Minneapolis, MN 55432-0008

THIS PRINT IS NOT TO BE
 USED FOR PRODUCTION.

DRAWN BY: BJ	DATE: 01/20/92	SCALE: 1:1	MATERIAL: 6463-T6 EXTR ALUM	SHEET SIZE: A	SHEET: 1 OF 1	REV LEVEL: F
-----------------	-------------------	---------------	--------------------------------	------------------	------------------	-----------------

3

2

1