

3

2

1

D

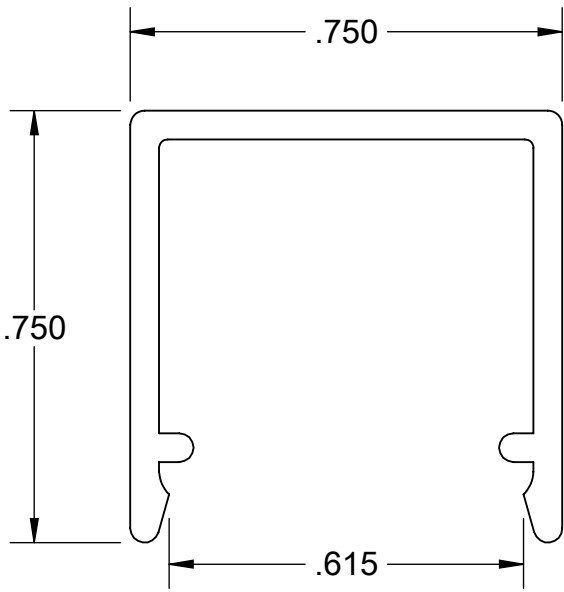
D

C

C

B

B



A

A

DESCRIPTION

TRIM, SQUARE .75

DWG. NO.

S110410



Stylmark Incorporated
 6536 Main St. N.E. * P.O. Box 32008
 Minneapolis, MN 55432-0008

THIS PRINT IS NOT TO BE
 USED FOR PRODUCTION.

DRAWN BY:
 DMR

DATE:
 01/30/91

SCALE:
 3:1

MATERIAL:
 6463-T6 EXTR ALUM

SHEET SIZE:
 A

SHEET:
 1 OF 1

REV LEVEL:
 F

3

2

1