

3

2

1

D

D

C

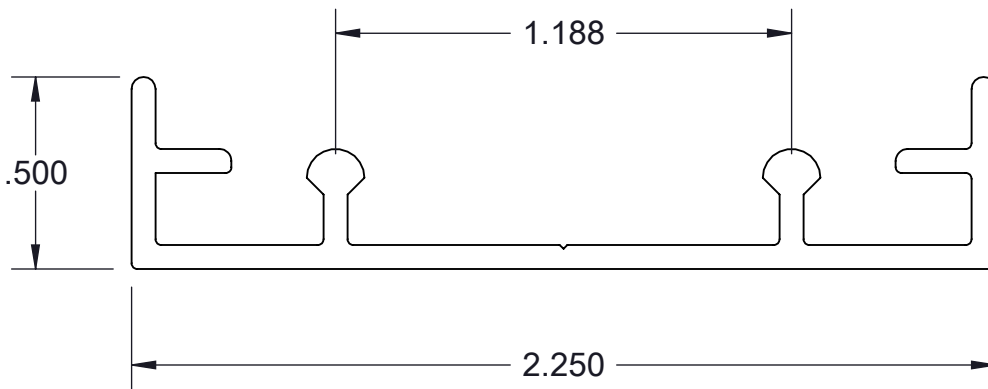
C

B

B

A

A



DESCRIPTION

TRACK, SECURITY ROLLING DOOR

DWG. NO.

S110208



Stylmark Incorporated
 6536 Main St. N.E. * P.O. Box 32008
 Minneapolis, MN 55432-0008

THIS PRINT IS NOT TO BE
 USED FOR PRODUCTION.

DRAWN BY:

LM

DATE:

11/16/92

SCALE:

2:1

MATERIAL:

6463-T6 EXTR ALUM

SHEET SIZE:

A

SHEET:

1 OF 1

REV LEVEL:

H

3

2

1