



# XXLite™ Large Format Backlit Display

## Installation Instructions

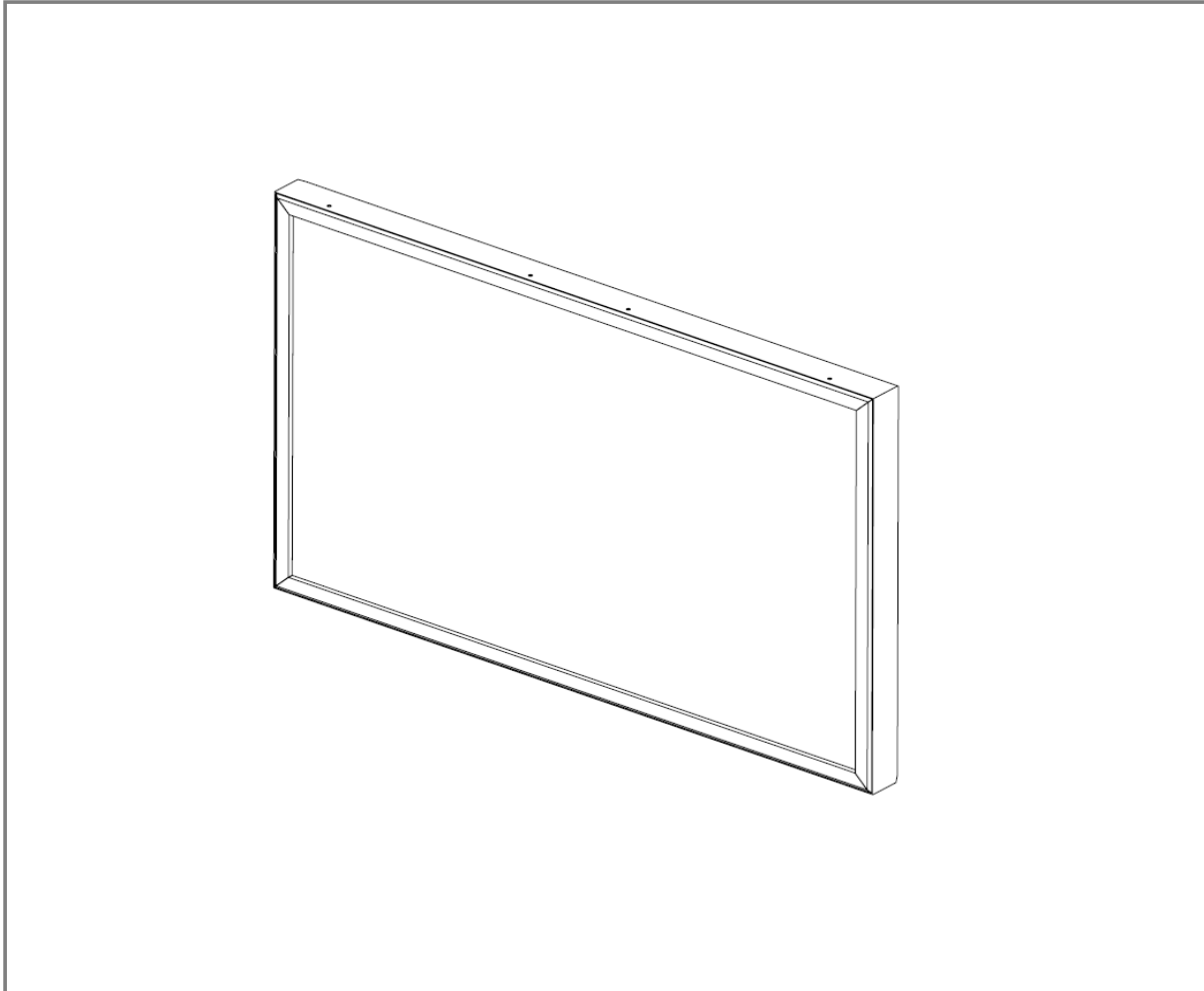


Figure 1

### INSTALLATION INSTRUCTIONS

#### ***Before you begin***

These instructions illustrate the Stylmark® XXLite™ Large Format Backlit Display. If you have questions during assembly, call 800-328-2495 to request technical assistance.

#### ***Tools you'll need***

- Screwdriver
- Chalk line
- 1/4" Drill (varies by application)

**Please read these instructions carefully before beginning installation.**

Part Number# 971674  
Rev A (5/11)

# Stylmark Installation Instructions: XXLite™ Large Format Backlit Display

## Getting Started:

These instructions are for XXLite™ Backlit Display. Follow the instructions for the assembly ordered. Most sizes of XXLite ship in two or more sections.

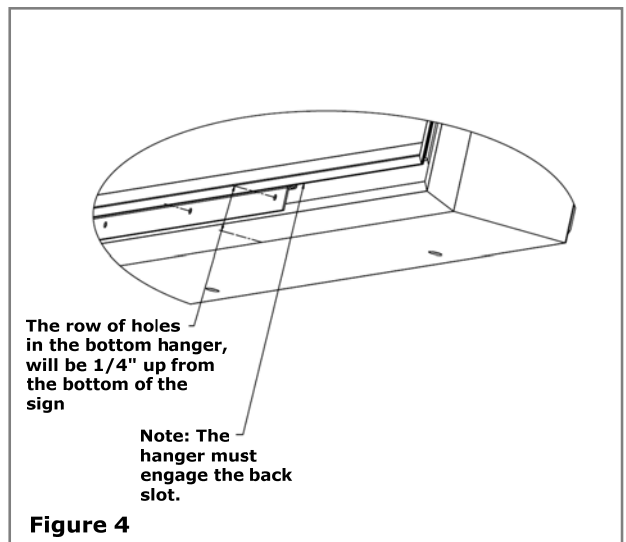
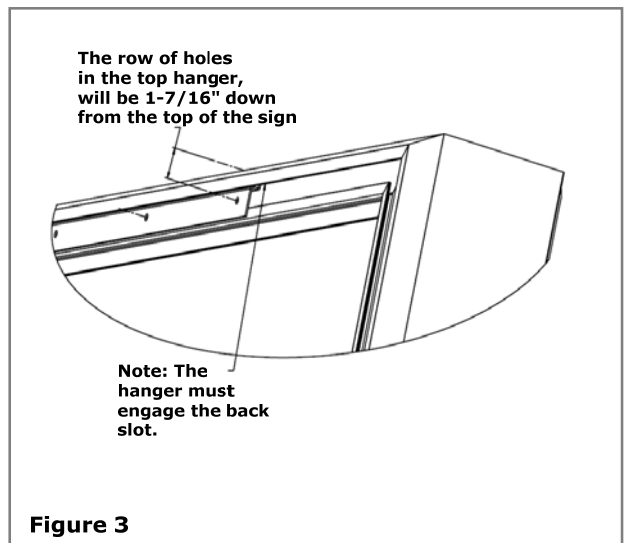
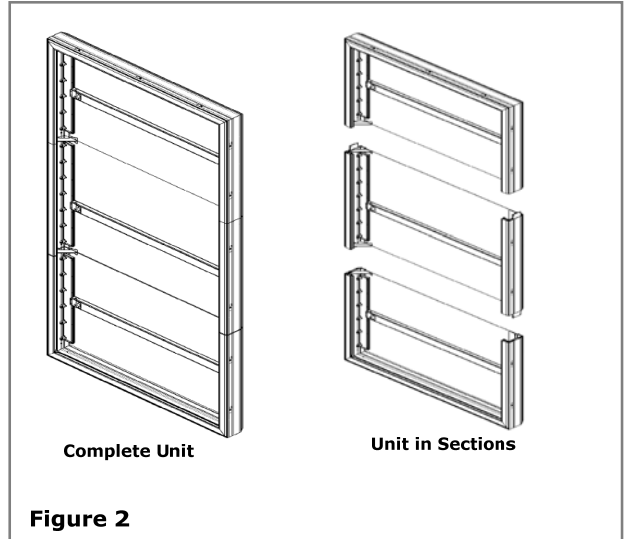
Please review all electrical requirements on the label before connecting. Do not use improper current.

If the unit is hard-wired, a qualified electrician should perform electrical connection.

This sign is intended to be installed in accordance with the requirements of Article 600 of the National Electrical Code and/or other applicable local codes. This includes proper grounding and bonding of the sign.

## Step-by-Step Instructions – Unit Assembly:

1. The XXLite™ can be mounted to the wall in sections or as a complete unit and lifted into place. **See Figure 2.**
2. Hangers are provided for both the top and bottom of each section. The row of holes for the top hanger will be 1-7/16" (37mm) down from the top of the sign. **See Figure 3.**
3. The row of holes for the bottom hanger will be 1-1/4" (32mm) up from the bottom of the sign. **See Figure 4.**
4. Use a chalk line to ensure that each section of the unit is properly aligned and adequately supported.
5. Be sure that the hanger engages the slot on the back as shown in figure 2 and that appropriate fasteners / anchors are used for wall condition. If the unit is hard-wired, screw directly through the back panel as near to the outer edge as convenient.



Part Number# 971674  
Rev A (5/11)

# Stylmark Installation Instructions: XXLite™ Large Format Backlit Display

## Step-by-Step Instructions – Section Assembly:

1. Begin by installing the splice plates in the ends of one section. **See Figure 5.**
2. Slide the next section over the plates and install the screws (part# 211239). **See Figure 6.**
3. Once all sections are assembled, install the lamps and plug each internal cord into the outlet in the adjoining section. **See Figure 7.**
4. Plug in the unit and check that all lamps are lit.

CAUTION: If unit is hard-wired, electrical connections should be performed by a qualified electrician.

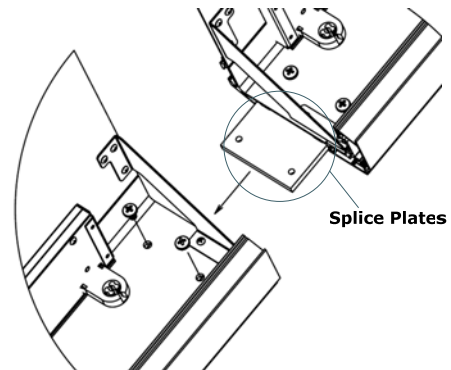


Figure 5

## Step-by-Step Instructions – Graphic Installation:

XXLite™ is intended for use with a flex-face type graphic, mounted to the sign by Velcro® strips.

1. Flip open the spring-loaded frame on all sides.
2. Install the graphic at the top and continue working around the edges, lifting and repositioning the graphic as needed.
3. Once the graphic is installed, close the frame and lock it by using XXLite™ frame lock key (Part# 229056). **See Figure 8.** Insert the key into the holes on the outside of the display and rotate it one-quarter turn. The locks tension the graphic and prevent any unauthorized tampering with the face.

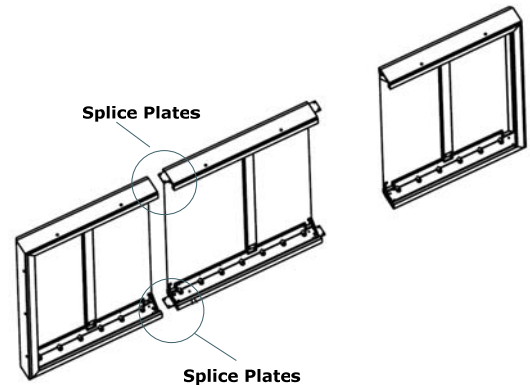
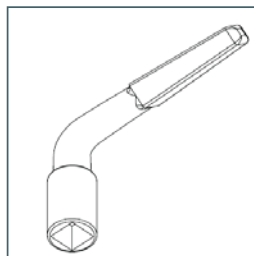


Figure 6



XXLite™ Frame Lock Key  
Part # 229056

Figure 8

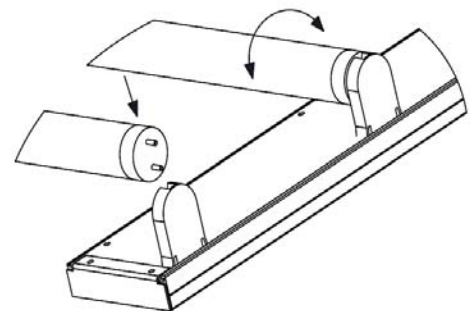


Figure 7

Part Number# 971674  
Rev A (5/11)