

## Installation Instructions

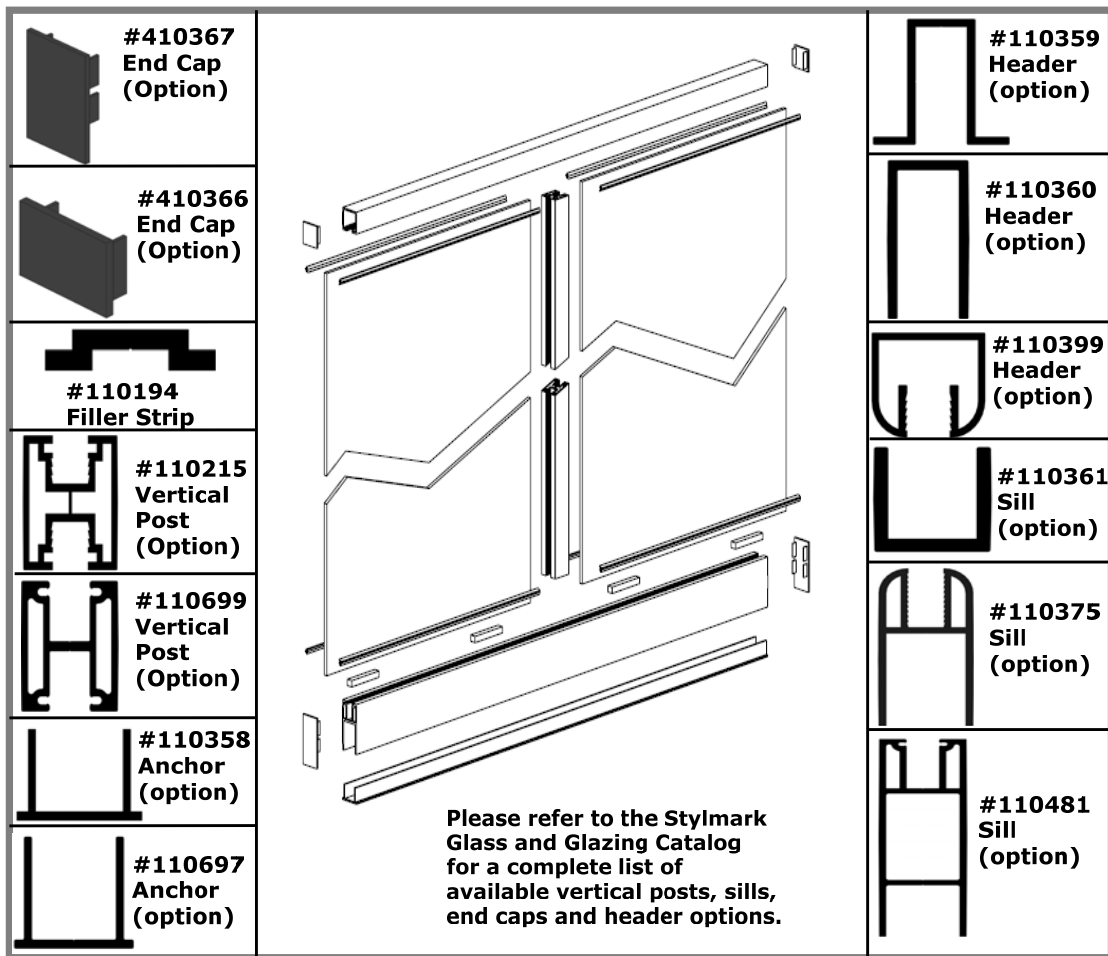


Figure 1

## INSTALLATION INSTRUCTIONS

### *Before you begin*

These instructions illustrate the installation of the Stylmark WallMaker<sup>®</sup> system. Stylmark WallMaker<sup>®</sup> System is designed for use with 3/8" or 1/2" glass panels. If you have questions during assembly, call 800-328-2495 to request technical assistance.

### *Tools you'll need*

- Chalk line & plumb bob
- Pencil
- Rubber mallet
- Slotted or Phillips screwdriver
- Screws (determined by application) (obtain locally)

**Please read these instructions carefully before beginning installation.**

# Stylmark Installation Instructions: WallMaker®

## Getting Started:

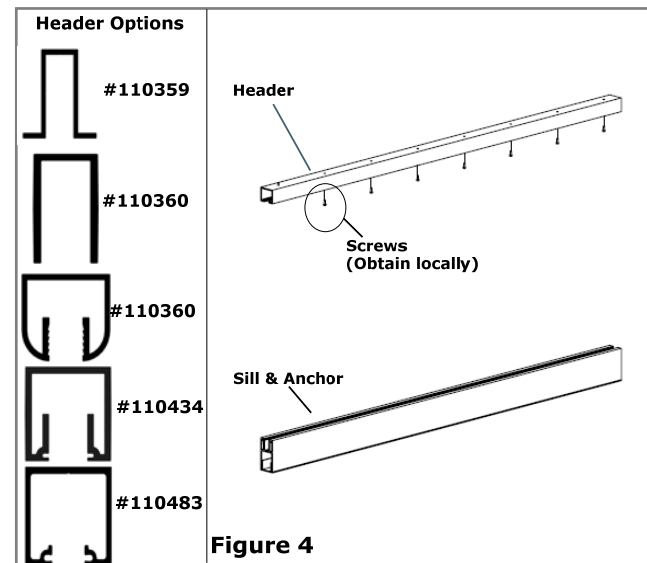
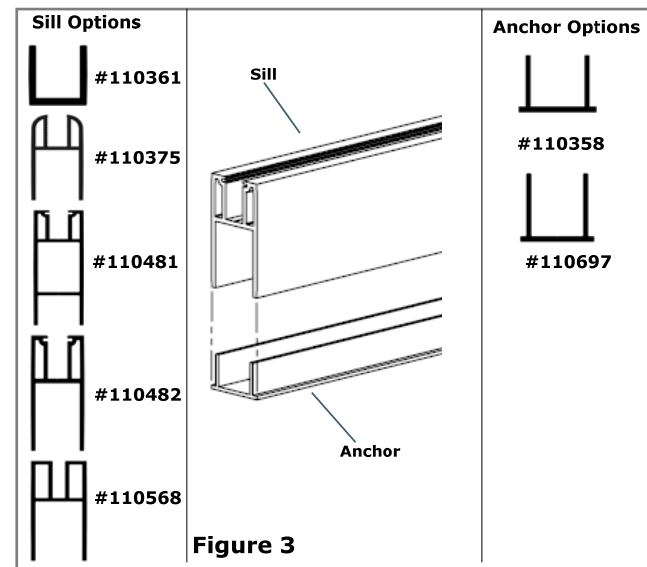
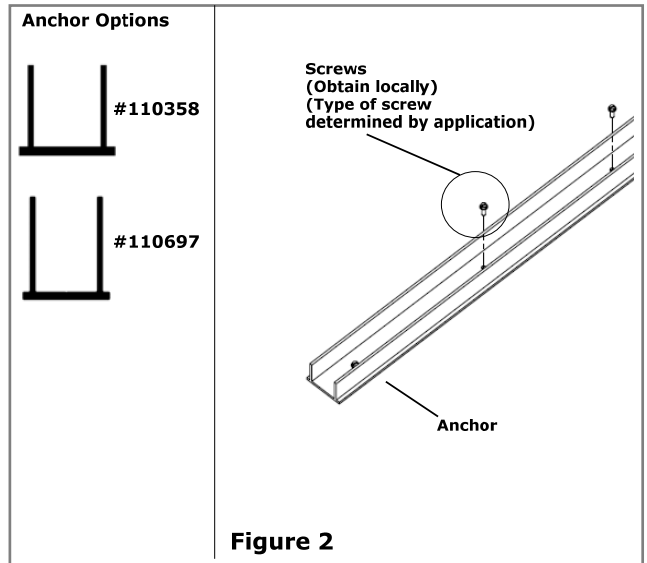
The Stylmark WallMaker® system supports both 3/8" or 1/2" sheet glass up to 10' tall with proper side support. Typically, it is used in storefront and glass wall applications. WallMaker® is sold in stock length 12' sections and is custom fit for each installation. As a result, Stylmark does not have direct control over the product installation or the site conditions. We recommend that the WallMaker® be mounted and supported in accordance with to the local, state and federal applicable building codes. The design and execution of the installation will determine the final system strength.

WallMaker® has been in commercial use since 1986. It has been installed in thousands of applications throughout the U.S. and has demonstrated to be a safe and reliable product.

These instructions are for Stylmark WallMaker®. WallMaker® can be ordered in stock lengths or custom fabricated to achieve your design needs. For header and sill options, see your Stylmark Glass and Glazing Catalog.

## Step-by-Step Instructions:

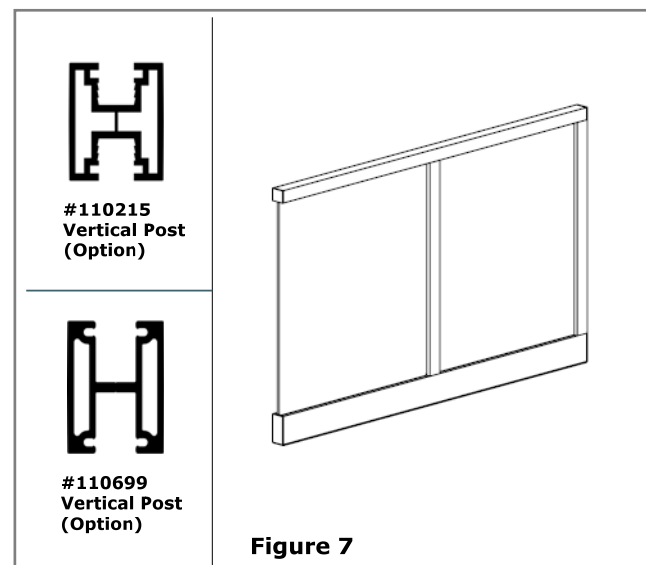
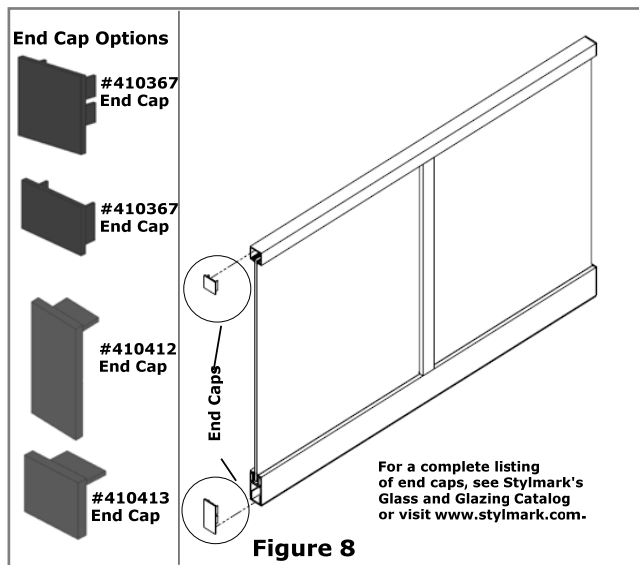
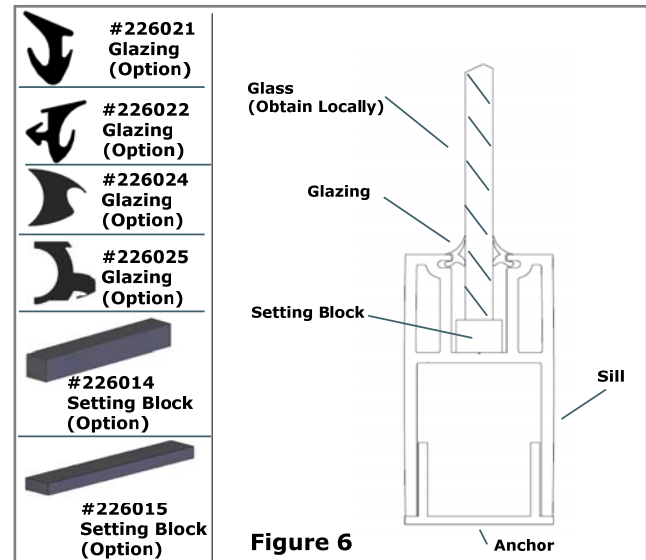
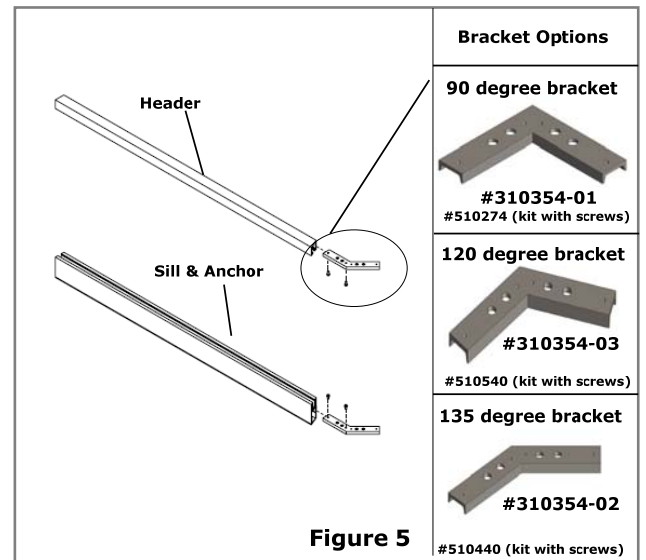
1. Determine placement of the WallMaker® system and mark with a chalk line or pencil on the floor.  
**See Figure 2.**
2. Fasten the anchor channel to the floor using screws (obtain locally).  
**See Figure 2.**
3. Place the sill over the anchor channel and secure. **See Figure 3.**
4. Position the header at the ceiling and fasten with screws (obtain locally). Use a plumb bob to determine the placement of the header. Shim the header to maintain a square position directly above the sill.  
**See Figure 4.**



Sheet# 971221  
Rev B (3/10)

# Stylmark Installation Instructions: WallMaker®

5. Applications using mitered corners will use 90°, 120° or 135° steel miter brackets on header and sills. **See Figure 5.**
6. Position the neoprene setting blocks in the sills' glass channel. **See Figure 6.**
7. Insert the glass panel by pushing it up into the header and lowering the bottom edge onto the setting blocks. **Option:** Multi-panel WallMaker systems may require a vertical post between glass panels. Vertical posts are fitted between header and sill. **See Figure 6 & 7.**
8. Secure the glass at the header and sill by pushing glazing strips into place. Glazing part numbers #226022 and #226025, may be positioned into place first, followed by the glass and then secure by pushing in the second piece of glazing. **See Figure 6.**
9. Install end caps on exposed ends of headers and sills. **See Figure 8.**



Sheet# 971221  
Rev B (3/10)