



StretchLite™ Frameless Fabric Display

Installation Instructions

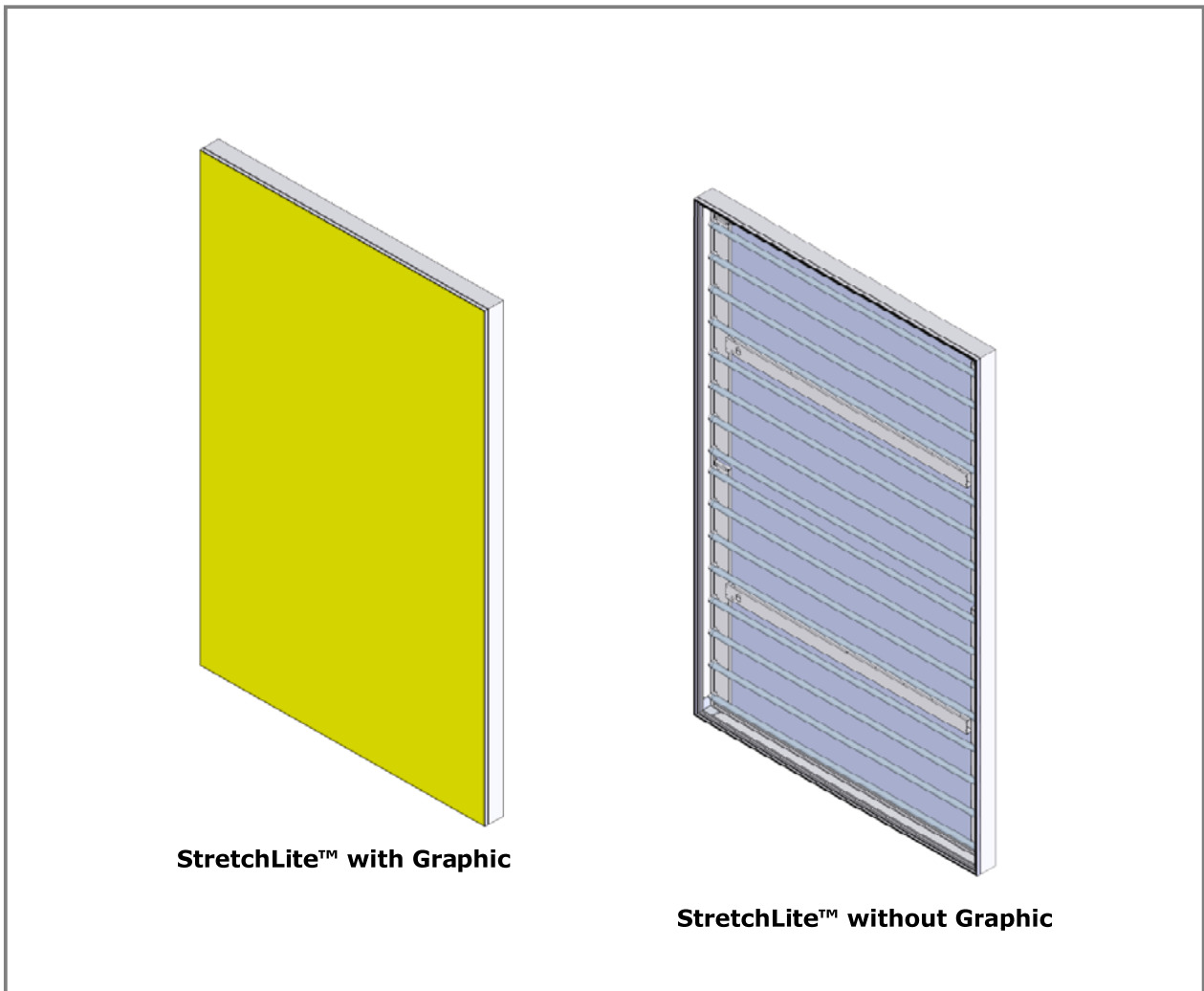


Figure 1

INSTALLATION INSTRUCTIONS

Before you begin

These instructions illustrate the Stylmark® Stretchlite™ Backlit Display. If you have questions during assembly, call 800-328-2495 to request technical assistance.

Tools you'll need

- Screwdriver
- 1/4" Drill (varies by application)

Please read these instructions carefully before beginning installation.

Part Number# 971673
Rev A (5/11)

Stylmark Installation Instructions: StretchLite™ Frameless Fabric Display

Getting Started:

These instructions are for StretchLite™ Backlit Display. Follow the instructions for the assembly ordered.

Please review all electrical requirements on the label before connecting. Do not use improper current.

If the unit is hard-wired, a qualified electrician should perform electrical connection.

This sign is intended to be installed in accordance with the requirements of Article 600 of the National Electrical Code and/or other applicable local codes. This includes proper grounding and bonding of the sign.

Step-by-Step Instructions – Mounting – Fully Assembled Unit:

1. If keyholes have been provided, hold the unit against the wall in the desired location and mark the positions of the mounting screws through the tops of the keyhole slots. **See Figure 2.**
2. Using ¼" drill bit, drill through the marks and install the plastic anchors. **See Figure 2.**
3. Insert the mounting screws, leaving about 1/4" to 3/8" protruding.
4. Position the unit over the screws. Pull down lightly to ensure proper seating of the keyhole slots over the screws.
5. If there are no keyholes, drill through the back panel as near to the outer edge as possible. Mark and install plastic anchors, then screw through the back panel into the plastic anchors.

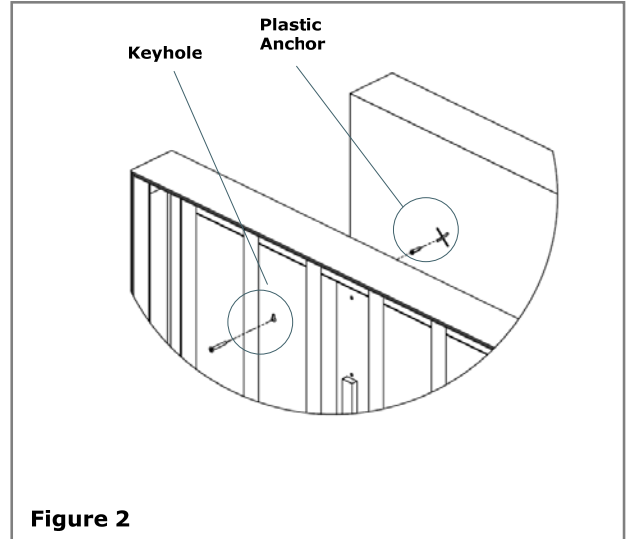


Figure 2

Step-by-Step Instructions – Mounting - Section Assembly:

6. Adjoining sections are held together by splice plates (part #490279). **See Figure 3.**
7. Begin by installing the splice plates into the ends of one section. Install and tighten the screws so that the splice plates are held loosely in place.
8. Slide on the end of the next section, check for alignment and adjust as needed. Tighten all the screws. **See Figure 4.**

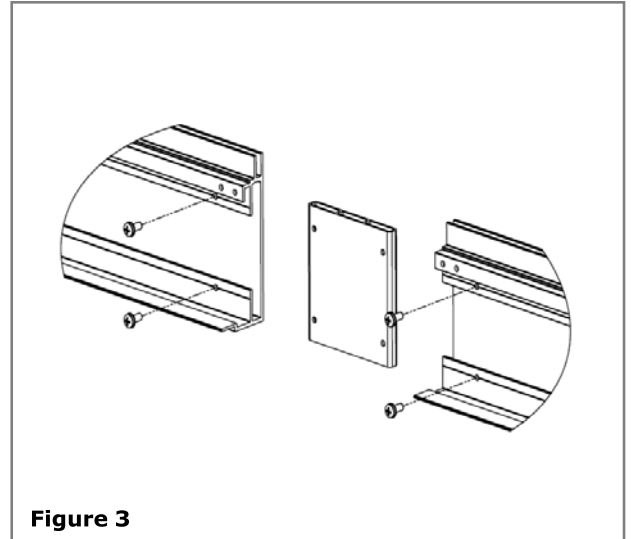


Figure 3

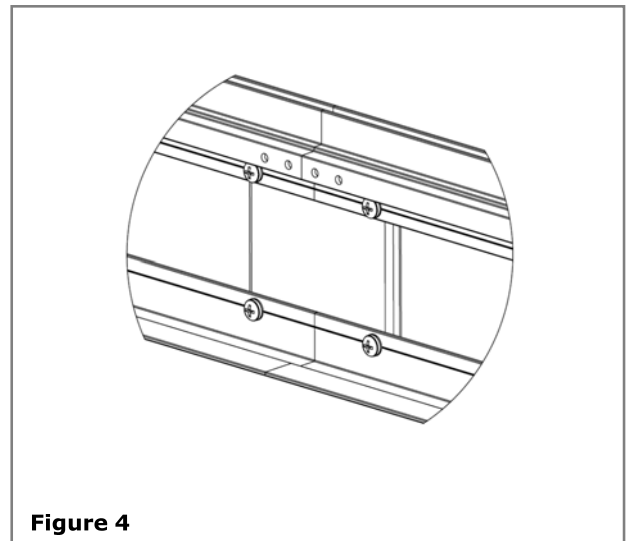


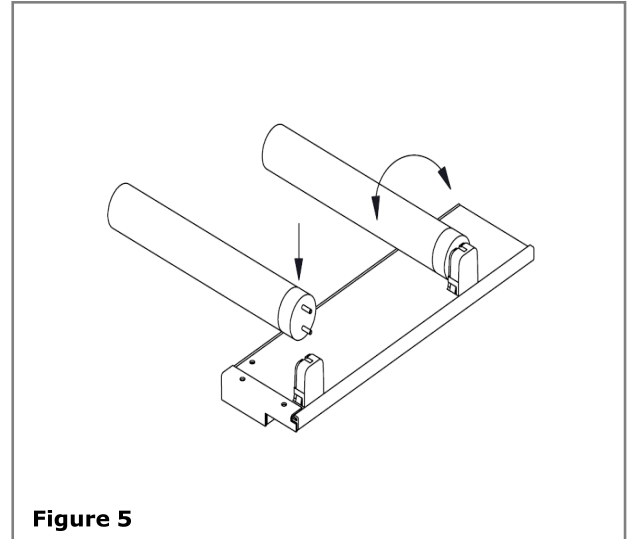
Figure 4

Stylmark Installation Instructions: StretchLite™ Frameless Fabric Display

Step-by-Step Instructions – Bulb Installation:

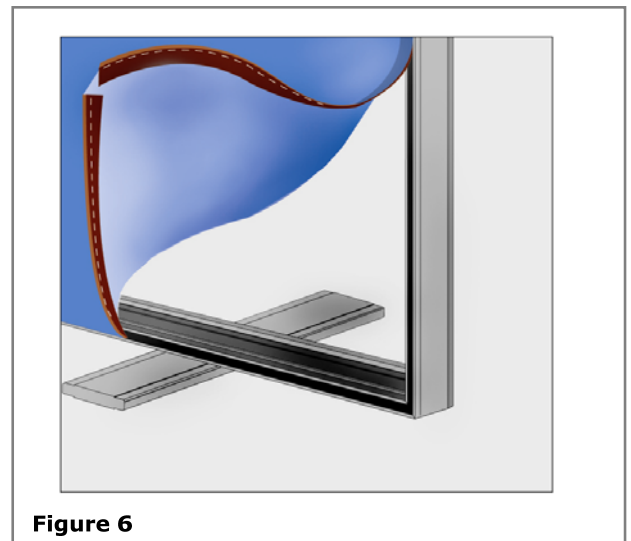
1. Unwrap the lamps and install them into the unit by inserting the prongs into the sockets and turning the lamps until they lock into position. **See Figure 5.**
2. Plug in the unit and check that all lamps are lit.

CAUTION: If the unit is hard-wired, electrical connections should be performed by a qualified electrician.



Step-by-Step Instructions – Graphic Installation:

1. Begin by tucking the graphic in on all four corners then work around the entire frame. **See Figure 6.**
2. To remove the graphic, pull on the tag.



Part Number# 971673
Rev A (5/11)