



StretchFrame™ Double-Sided
Frameless Fabric Display
Model #690124

Installation Instructions

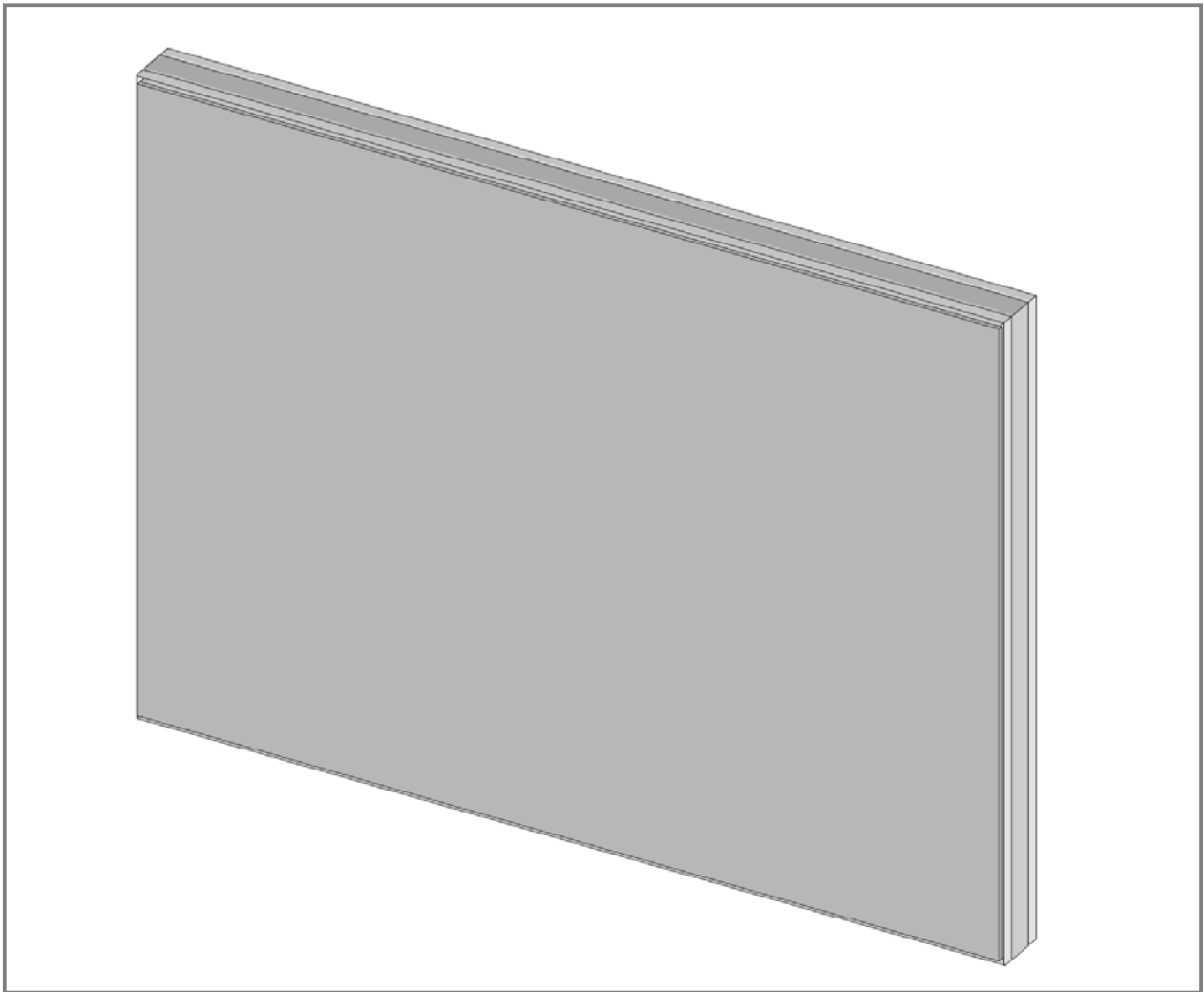


Figure 1

INSTALLATION INSTRUCTIONS

Before you begin

These instructions illustrate the Stylmark® Double-Sided StretchFrame™ Frameless Fabric Display. If you have questions during assembly, call 800-328-2495 to request technical assistance.

Please read these instructions carefully before beginning installation.

Part Number# 971700
Rev A (7/11)

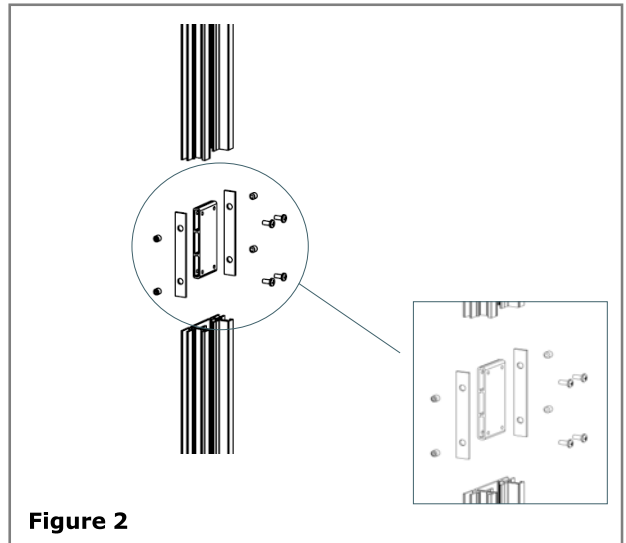
Stylmark Installation Instructions: StretchFrame™ Model #690124

Getting Started:

These instructions are for StretchFrame™ Double-Sided Frameless Fabric Display. Follow the instructions for the assembly ordered. StretchFrames larger than 48" x 96" typically ship partially assembled.

Step-by-Step Instructions – Mounting - Section Assembly:

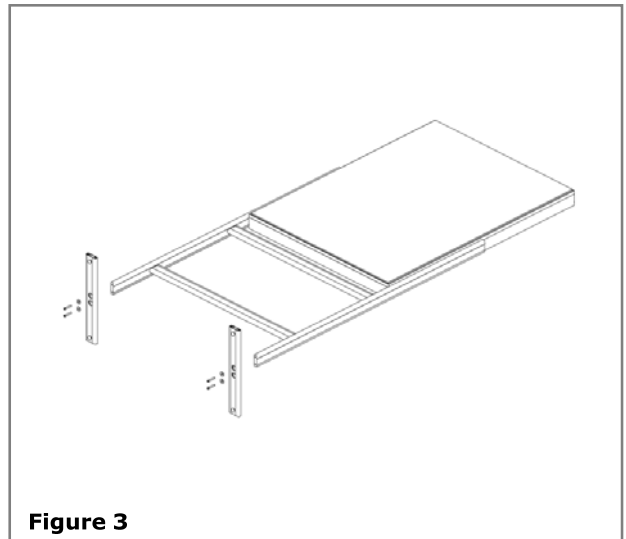
1. Adjoining sections are held together by splice plates (part #490281). **See Figure 2.**
2. Begin by installing the splice plates into the end of one section. Install and tighten the screws so that the splice plates are held loosely in place.
3. Slide on the end of the next section, check for alignment and adjust as needed. Tighten all the screws.



Step-by-Step Instructions – Pedestal Option

Note: This option should be requested at time of order.

1. Post are already attached to the sides of the StretchFrame. **See Figure 3.**
2. To attach the feet, line up the holes in the top of each foot with the holes in the ends of each post, insert the socket head screws (part #211263) and washers provided, and use the Allen wrench (part #227080) provided to tighten them.



Stylmark Installation Instructions: StretchFrame™ Model # 690124

Step-by-Step Instructions – Tabletop / Counter & Suspended Mounting Options

Note: These options should be requested at time of order.

1. **Suspended Option** – Hanging loops are attached to the unit when constructed. Attach appropriate hanging hardware (chain, cables, etc.) to suspend unit. **See Figure 4.**
2. **Tabletop / Counter Option** – Aluminum feet can be ordered for this application. See Pedestal Option Instructions. **See Figure 5.** Please contact Stylmark at 1-800-328-2485 for more information about this option.

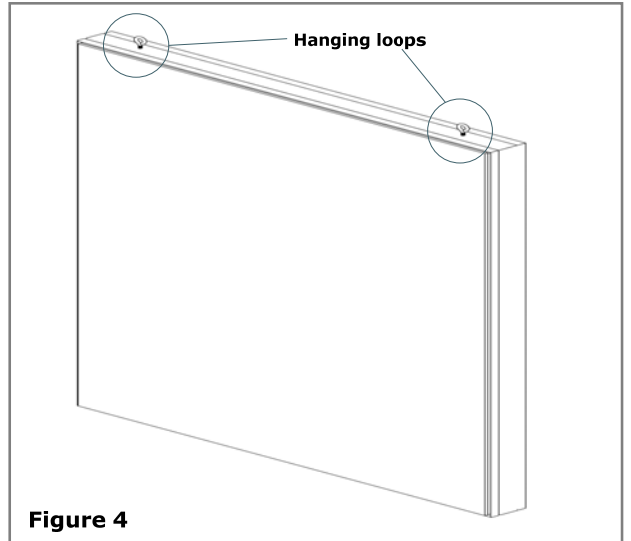


Figure 4

Step-by-Step Instructions – Graphic Installation:

1. Begin by tucking the gasketed edge of the graphic in on all four corners then working around the entire frame. **See Figure 6.**
2. To remove the graphic, pull on the tag.

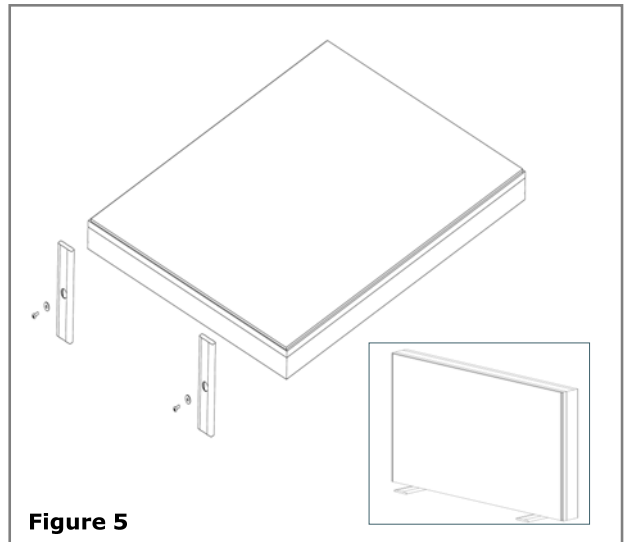


Figure 5

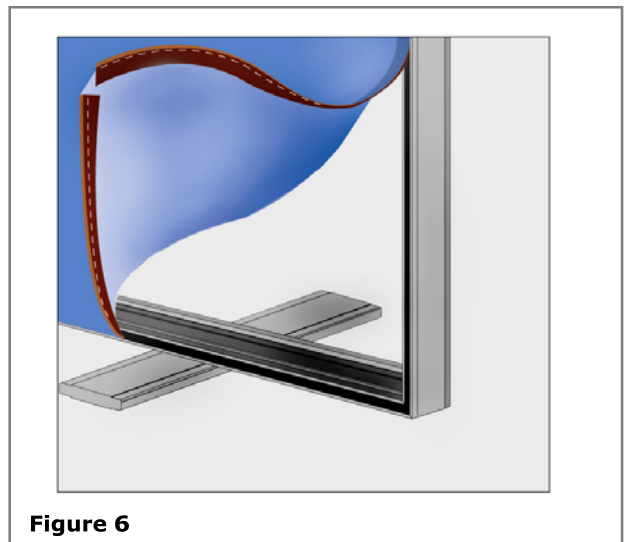


Figure 6

Part Number# 971700
Rev A (7/11)