



Installation Instructions

Slim Profile Lit Mirror
Model: 620088

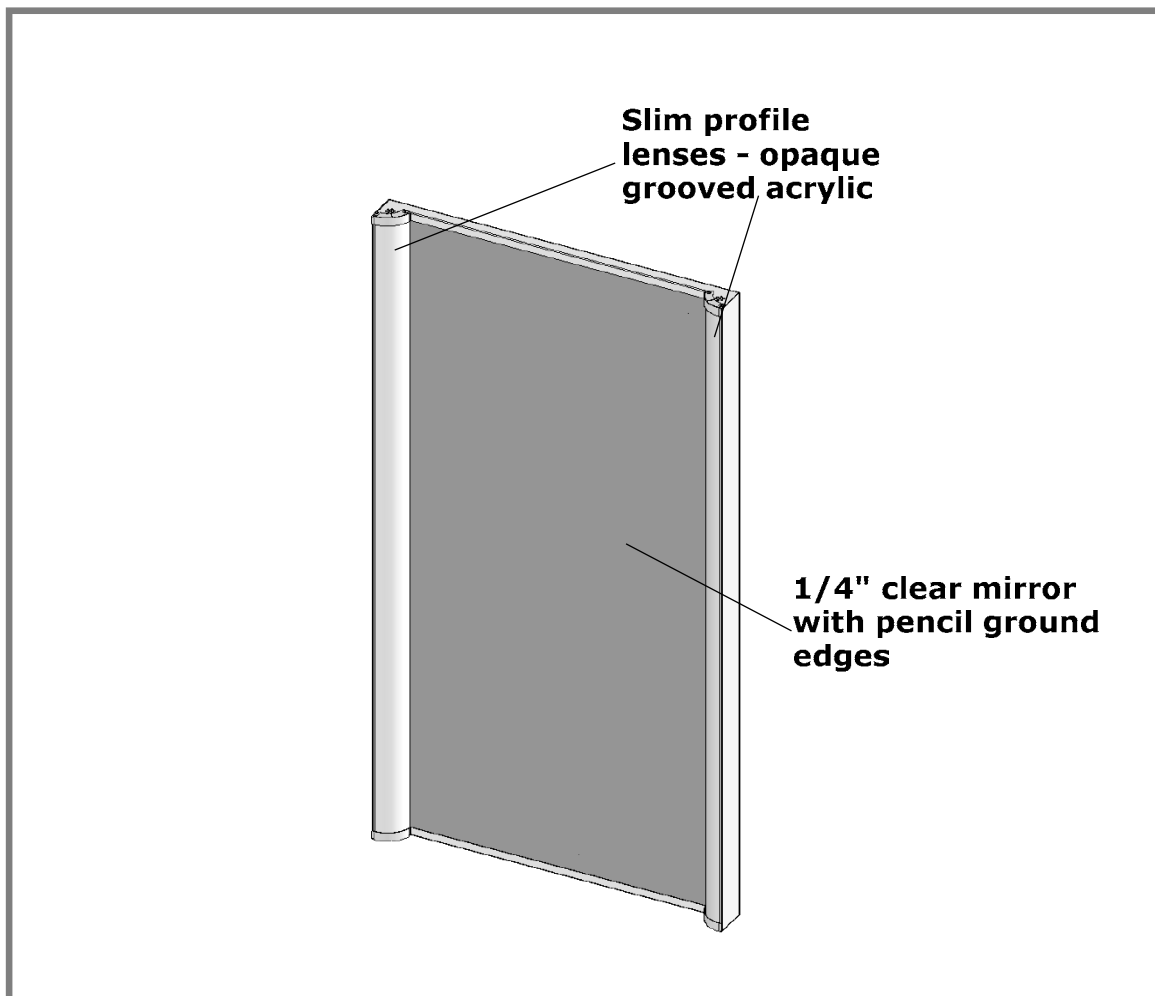


Figure 1

INSTALLATION INSTRUCTIONS

Before you begin

These instructions illustrate the Stylmark® Slim Profile Lit Mirror. If you have questions during assembly, call 800-328-2495 to request technical assistance. This installation requires a minimum of two people to assemble.

Tools you'll need

- Level
- Tape measure
- Drill
- Phillips screwdriver
- Screws / mounting hardware

Please read these instructions carefully before beginning installation.

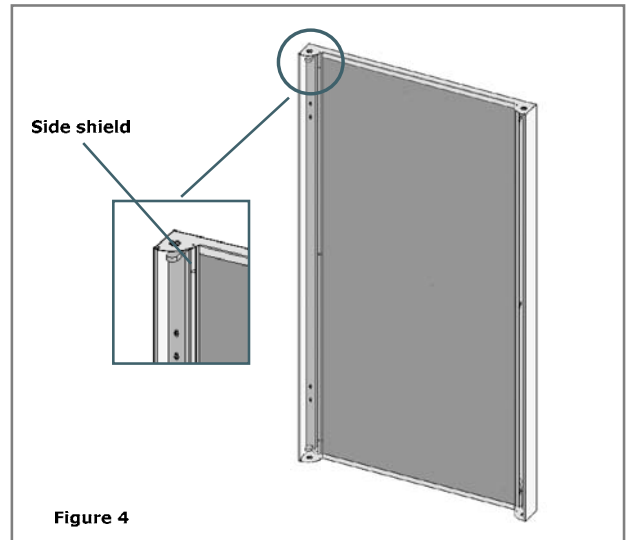
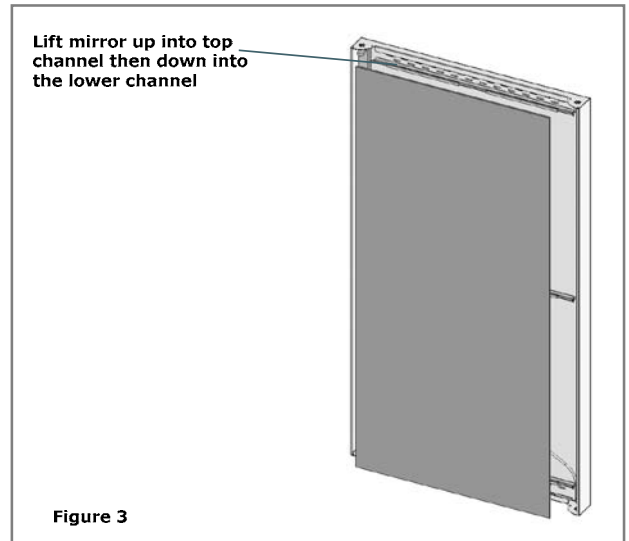
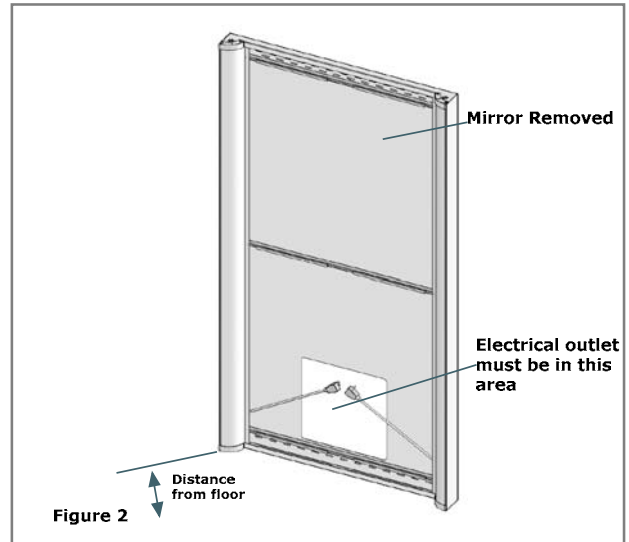
Stylmark Installation Instructions: Slim Lit Mirror

Getting Started:

A standard double outlet will need to be installed to provide power to this fixture. This product does not include the hardware to mount it to the wall so you will need to select the best type based on the wall in which it will be mounted.

Step-by-Step Instructions:

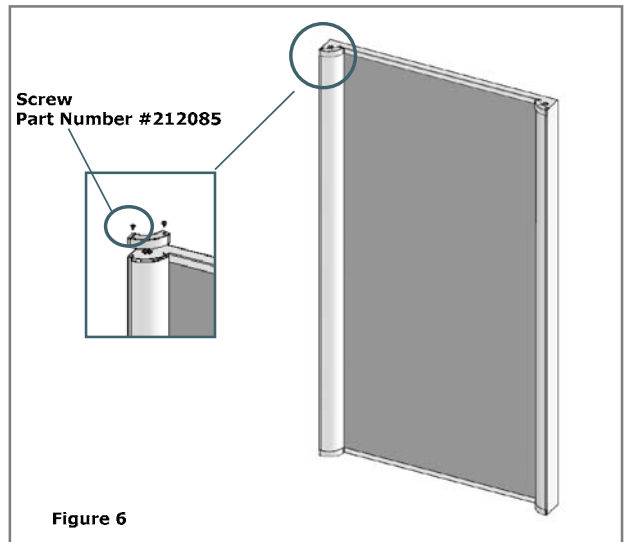
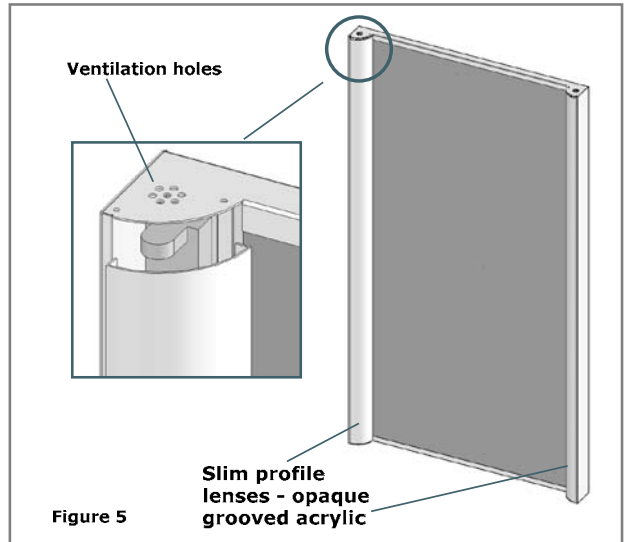
1. Remove the product from the box and put the mirror, side shields, end caps, lamps and lenses aside.
2. Mark the location on the wall where this will be installed and secure with one screw toward the center of the metal frame. **Tip:** If you will be mounting multiple units and they are to be an equal distance off the floor, cut a block to the proper length to support the metal frame while attaching to the wall. **See Figure 2.**
3. Use the level to make sure the metal frame is plumb and mount to wall as required (the slots in the metal frame allow for anchoring to the wall studs no matter where they are).
4. Once metal frame is securely attached to the wall, plug the light fixtures into the outlet.
5. Install the mirror by lifting it up into the top channel, then down into the lower channel. **See Figure 3.**
6. Install the side shields behind the mirror, resting on the tabs. **See Figure 4.**
7. Install the lamps into the fixtures.
8. Flex the lenses and position it over the light fixtures so that it is nested between the front lip of the metal frame and the edge of the mirror. **See Figure 5.**
9. Install the end caps with the supplied screws. **See Figure 6.**



Stylmark Installation Instructions: Slim Lit Mirror

Step-by-Step Instructions – Lamp Replacement:

1. Turn the power off to the fixture.
2. Remove the screws in the top end cap. Pull out the lenses. **See Figure 6.**
3. Replace the lamp (Stylmark #230607 – F35T5, 3000K). **Note:** To maintain color consistency, it is recommended to change both lamps at the same time.
4. Re-install the lenses & top end cap and restore the power to the fixture.



IMPORTANT SAFETY INSTRUCTIONS **SAVE THESE INSTRUCTIONS**

- A) READ ALL INSTRUCTIONS BEFORE USING THIS PRODUCT
- B) **DANGER** - TO REDUCE THE RISK OF ELECTRICAL SHOCK: CONNECT THIS FURNISHING TO A PROPERLY GROUNDED CIRCUIT
- C) **WARNING** - TO REDUCE THE RISK OF BURNS, FIRE, ELECTRICAL SHOCK OR INJURY TO PERSON:
- a. UNPLUG OR SWITCH OFF POWER BEFORE REMOVING OR REINSTALLING ANY PARTS.
 - b. USE THIS PRODUCT FOR ITS INTENDED PURPOSE AS DESCRIBED IN THESE INSTRUCTIONS. DO NOT USE ANY ATTACHMENTS NOT RECOMMENDED BY THE MANUFACTURER.
 - c. DO NOT CLEAN BY SPRAYING CLEANERS DIRECTLY ON OR NEAR THE LAMPS OF ITS ELECTRICAL CONNECTIONS NEAR THE REAR OF THE PRODUCT
 - d. DO NOT ALLOW SPILLED LIQUID TO FALL INTO THE LAMP AREA OR THE CONNECTION BOX AT THE REAR OF THE PRODUCT
 - e. DO NOT USE OUTDOORS
 - f. ALWAYS DISABLE POWER TO THIS PRODUCT PRIOR TO SERVICING.
- D) **RISK OF INJURY** - KEEP CHILDREN FROM CLIMBING ON THIS DISPLAY
- E) **GROUNDING INSTRUCTIONS** - THIS PRODUCT MUST BE CONNECTED TO A GROUNDED METAL, PERMANENT WIRING SYSTEM.
- F) **DANGER** - IMPROPER CONNECTION OF THE EQUIPMENT GROUNDING CONDUCTOR CAN RESULT IN RISK OF ELECTRICAL SHOCK. CHECK WITH QUALIFIED ELECTRICIAN OR SERVICEMAN IF YOU ARE IN DOUBT WHETHER PRODUCT IS CORRECTLY GROUNDED.

Sheet# 971618
Revision B (01/12)