



Installation Instructions

Shelf Light -
Wall Mounted
Model 681803 (Halogen)
Model 681805 (Fluorescent)

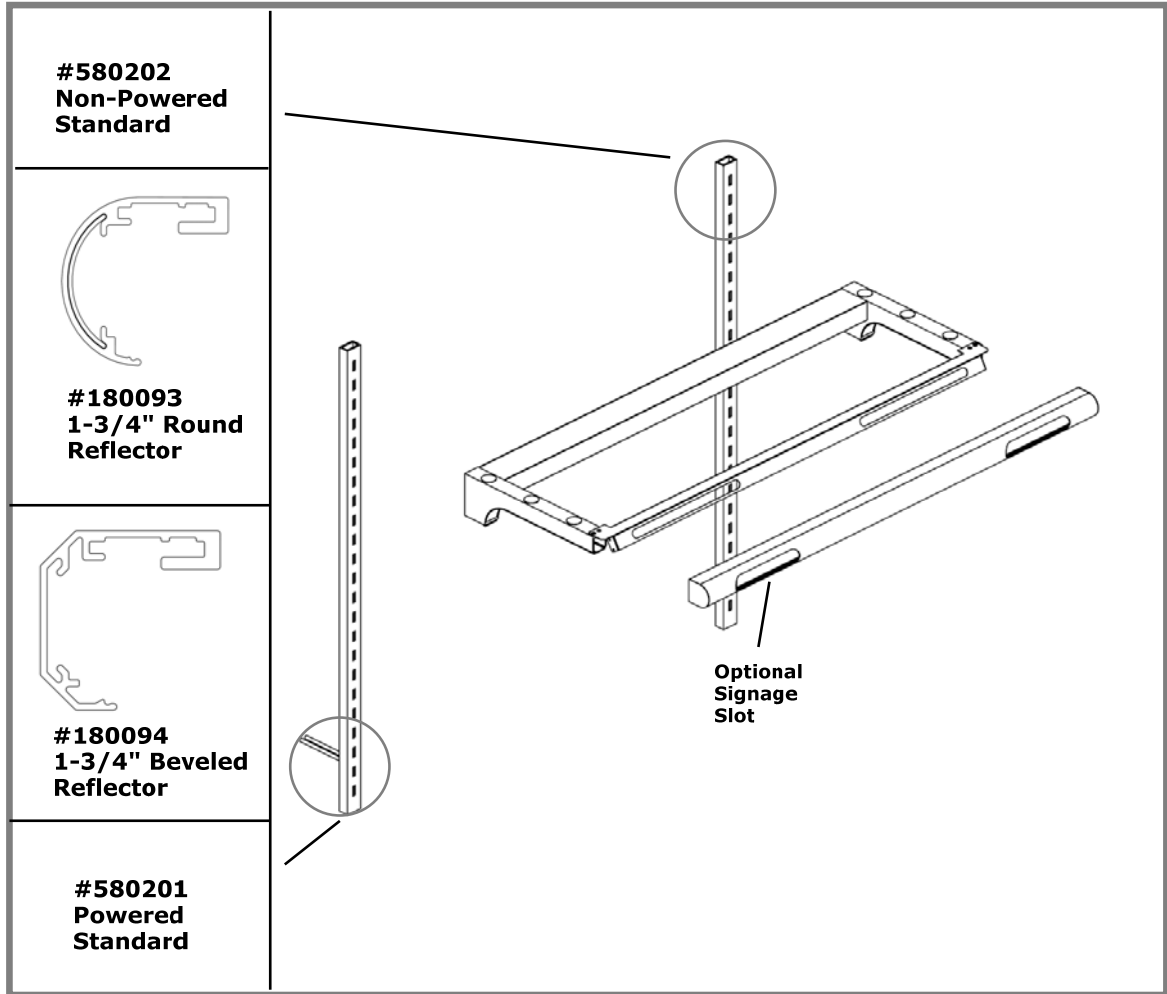


Figure 1

INSTALLATION INSTRUCTIONS

Before you begin

These instructions illustrate the Stylmark® Shelf Light Wall Mounted. This product is for use with fluorescent or halogen lamps. If you have questions during assembly, call 800-328-2495 to reach technical assistance. This package does not include shelving material. This assembly is U.L. listed.

Tools you'll need

- Hand drill
- Chalk line
- Phillips and slotted screwdriver
- Drill and bits
- Level
- #8 flathead screws

Please read these instructions carefully before beginning installation.

Stylmark Installation Instructions: Shelf Light - Wall Mounted

Getting Started:

These instructions are for the shelf light wall mounted unit. Mounting hardware is not supplied by Stylmark. In addition to the shelf fixture, there will be a powered and non-powered standards included with the assembly.

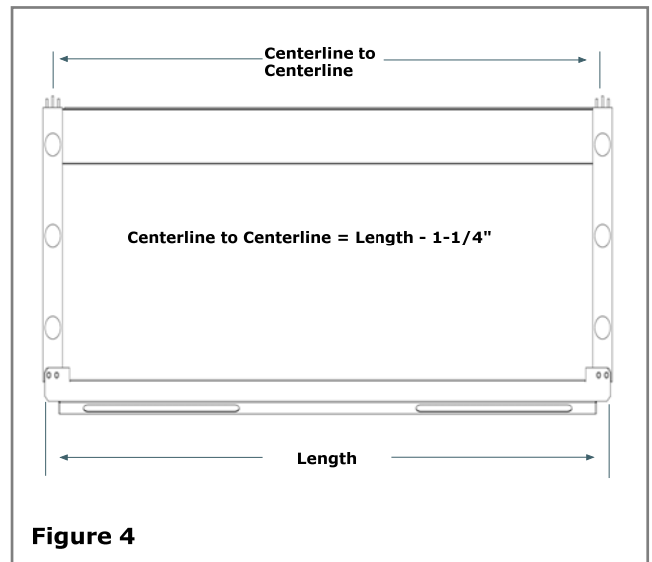
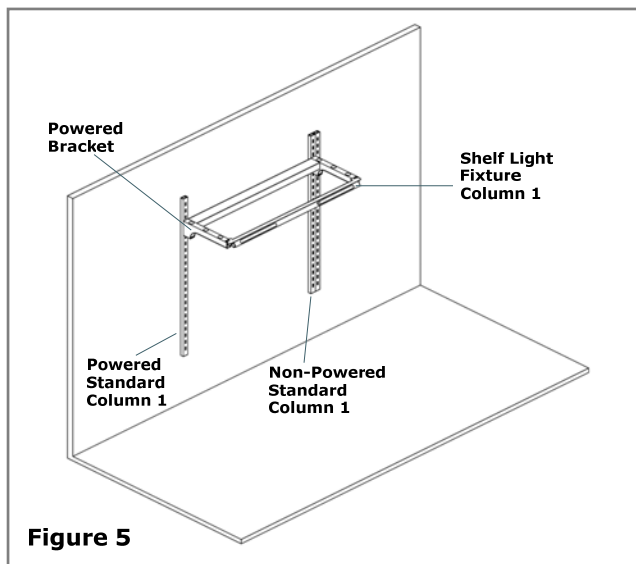
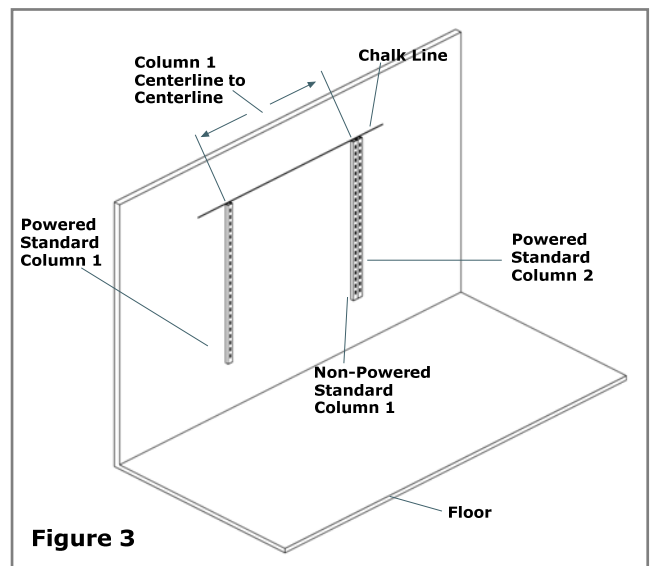
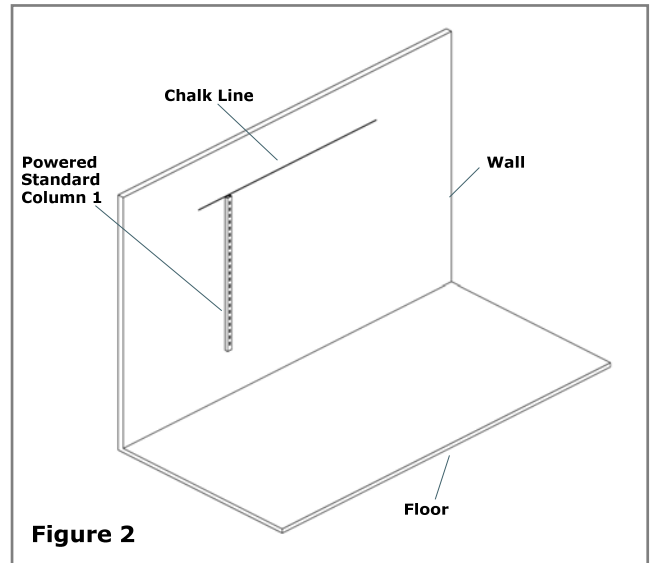
NOTE: Shelf lights are wired left hand (customer view) with the power wiring located at the bottom of the standard, unless otherwise specified. Conduit is provided to allow connections to junction boxes.

CAUTION: Adhere to all national, state and local electrical codes when connecting power to fixtures. All wiring for this unit should be completed only by qualified personnel.

Step-by-Step Instructions – Shelf Standard:

1. Determine the placement of the first standard on the wall. Run a chalk line where the topside of the standards will be placed. Use a level to align the standards properly. Fasten securely to the wall. **See Figure 2.**
2. Powered and non-powered standards will alternate one another as assembly of standards takes place. **See Figure 3.**
3. Locate the centerlines of additional standards. Centerlines can be found by measuring the total length of the reflector with endcaps and subtracting 1-1/4". **See Figure 4.**

NOTE: Centerline distance of standards is critical and must equal the centerline distance of the hanger brackets in order to connect properly with the shelf bracket. Shelf light can accommodate 1/16" variance from centerline to centerline.



Stylmark Installation Instructions: Shelf Light - Wall Mounted

Step-by-Step Instructions – Shelf Fixture Installation:

- Determine the placement of shelf fixtures, making sure powered brackets go to the power standards. **See Figure 5 and 6.** **NOTE:** Power bracket has copper probes sticking out the back. **DO NOT BEND COPPER PROBES.**
- Place brackets into standards and pull down, locking them into place.

Step-by-Step Instructions – Shelf Installation:

- If signage slots were requested, install signage into reflectors prior to shelf installation.
- Signage insert through the back of the shell. Squeeze signage and insert into reflector. **See Figure 7.**
- Insert lamp into sockets. Rotate fluorescent lamps 90° (or a quarter turn). An audible “click” indicates the lamp has been seated properly. Halogen lamps are inserted straight only.
- Plug reflector onto shelf, aligning pins in reflector with shelf bracket mounting clips. **See Figure 8.** A snap fit indicates proper engagement.
- Clean shelves thoroughly and position shelves on the brackets. Install glass shelving as necessary.
- Reflectors can be removed by applying upward pressure on the tab. **See Figure 9.**

