



Installation Instructions

PrintFrame™ 1" – Single-Sided Graphic Frames

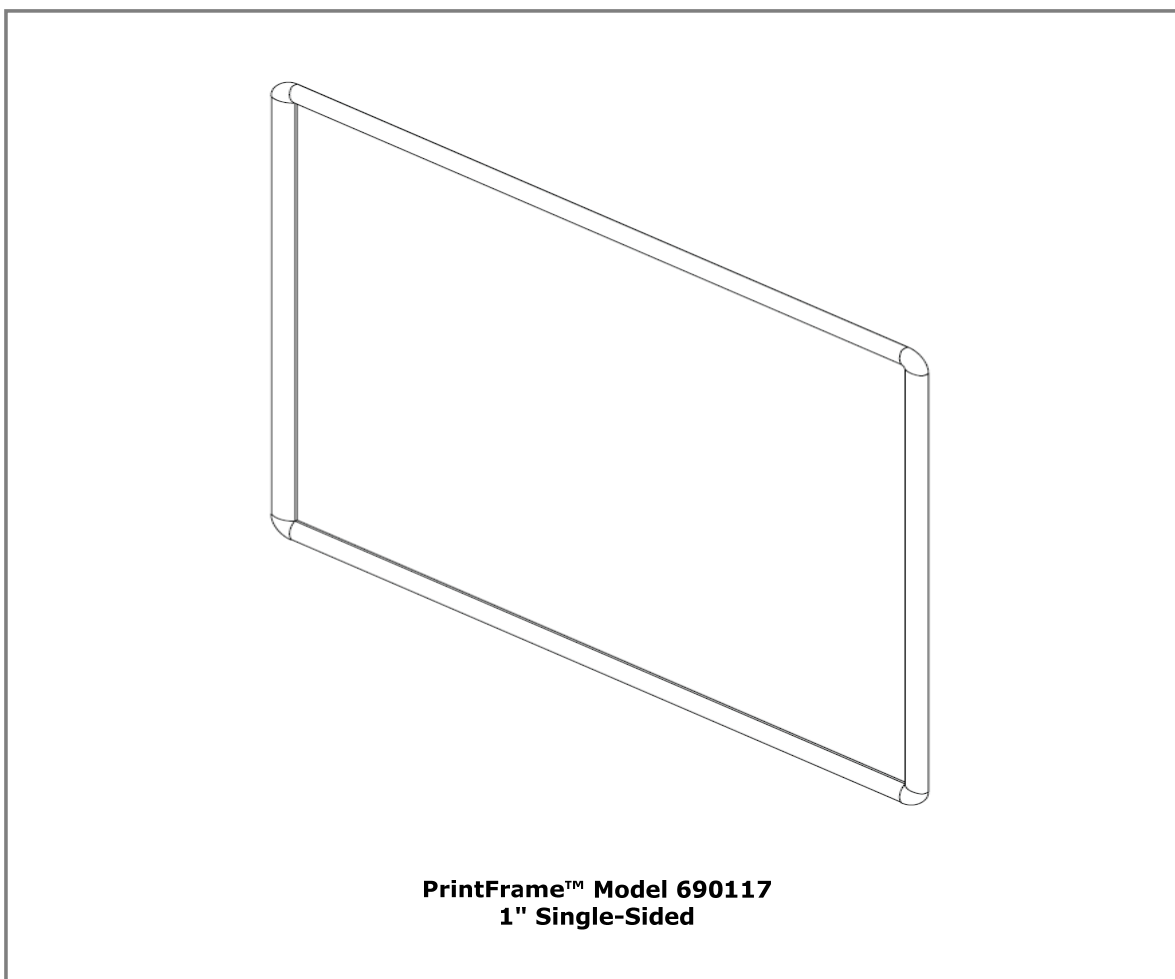


Figure 1

INSTALLATION INSTRUCTIONS

Before you begin

These instructions illustrate the Stylmark® PrintFrame™ 1" Single-Sided Graphic Frames. If you have questions during assembly, call 800-328-2495 to request technical assistance.

Tools you'll need

- Screwdriver
- Drill & bits, including 3/16" bit
- Level

Please read these instructions carefully before beginning installation.

Part Number# 971672
Rev A (6/11)

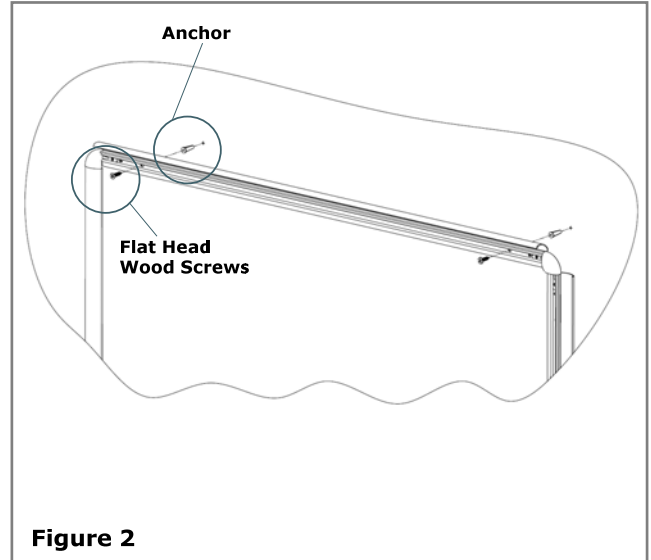
Stylmark Installation Instructions: PrintFrame™ - 1" Single-Sided

Getting Started:

These instructions are for PrintFrame™ 1" Single-Sided Graphic Frame unit. A standard hardware kit of plastic anchors and flat head screws have shipped with the unit. For other applications, use appropriate hardware if needed.

Step-by-Step Instructions – Wall-Mount Mounting Instructions:

1. Hold the unit on the wall in the desired location.
2. Flip open the front top frame and mark the wall through the holes predrilled in the body.
See Figure 2.
3. Using a 3/16" drill bit, drill holes and install plastic anchors.
4. Next, using flat head wood screws, attach the unit to the anchors.



Step-by-Step Instructions – Graphic Installation:

1. Begin by opening the frame by flipping back all four sides of the frame. **See Figure 3.**
2. Lay the graphic in the body of the PrintFrame and slip each corner of the graphic under the edge of the plastic corner.
3. Close frame on all sides.

