



Installation Instructions

PrintFrame™ Graphic Frames 1-3/8" – Single-Sided

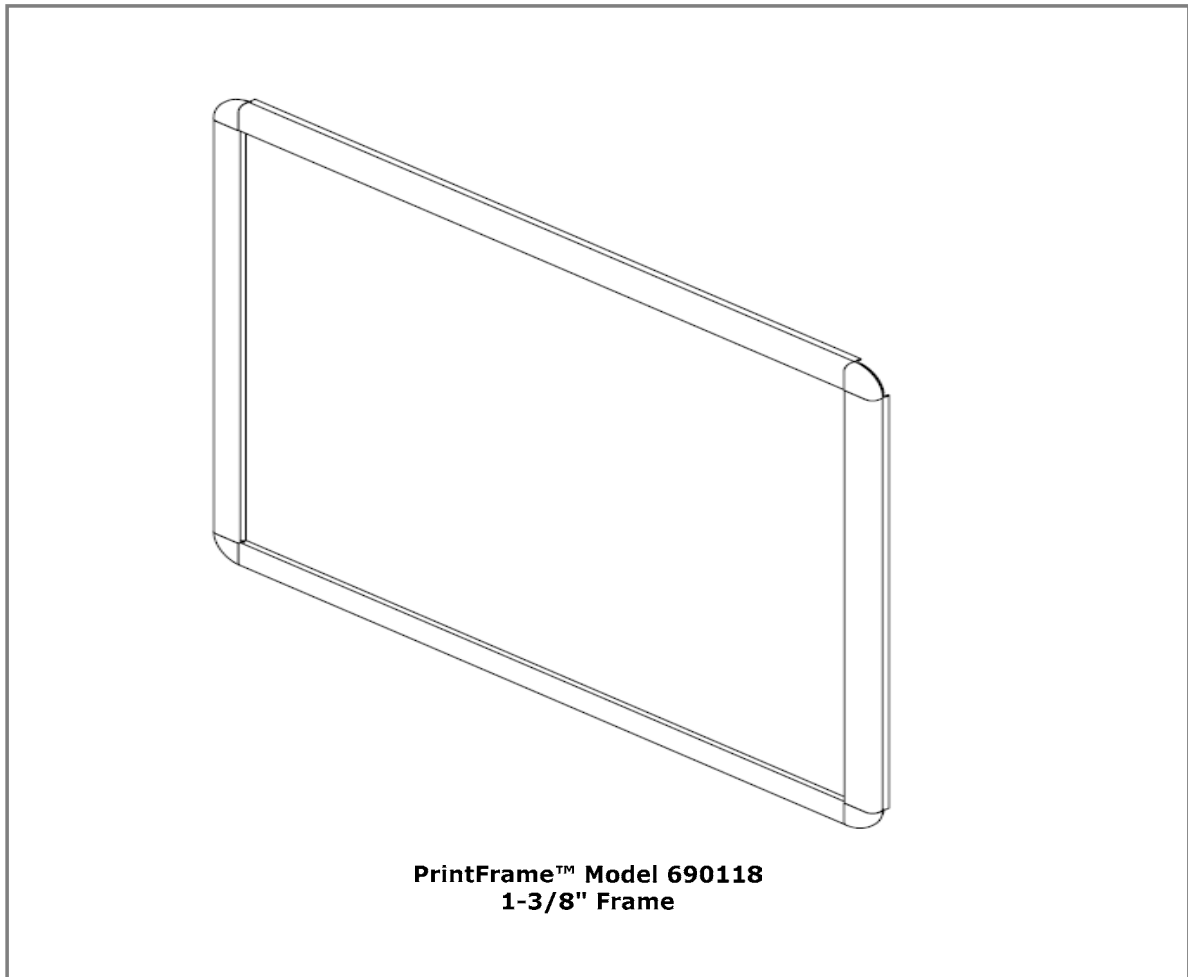


Figure 1

INSTALLATION INSTRUCTIONS

Before you begin

These instructions illustrate the Stylmark® PrintFrame™ 1-3/8" Single-Sided Graphic Frames. If you have questions during assembly, call 800-328-2495 to request technical assistance.

Tools you'll need

- Screwdriver
- Drill & bits, including 3/16" bit
- Level

Please read these instructions carefully before beginning installation.

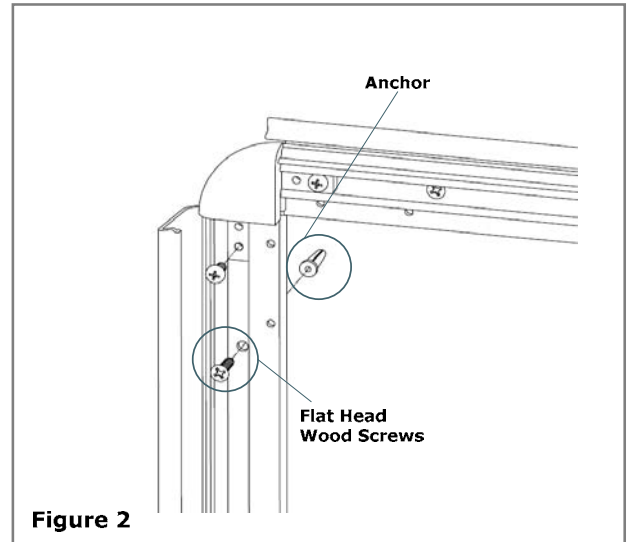
Stylmark Installation Instructions: PrintFrame™ - 1 3/8" Single-Sided

Getting Started:

These instructions are for PrintFrame™ Graphic Frames 1-3/8" Single-Sided Unit. If your unit came partially assembled, start with unit assembly instructions. Standard mounting kit is included with assembly.

Step-by-Step Instructions – Wall-Mount Mounting Instructions:

1. Hold the unit on the wall in the desired location.
2. Open the unit and mark the wall through the predrilled holes in the body. **See Figure 2.**
3. Using a 3/16" drill bit, drill holes and install plastic anchors.
4. Next, using flat head wood screws, attach the unit to the anchors.

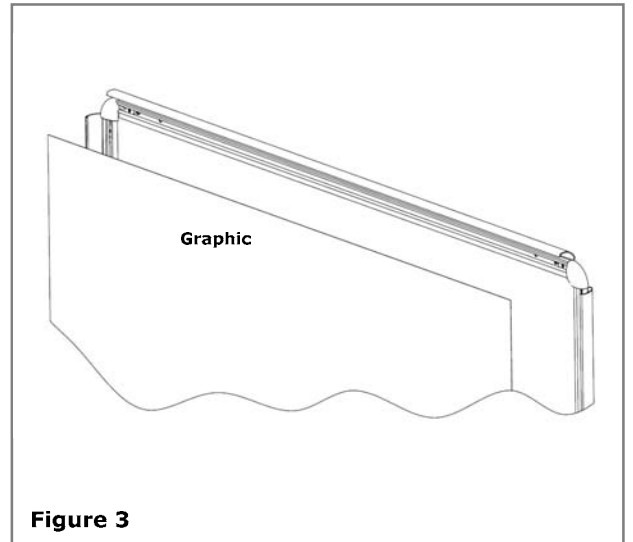


Part Number# 971695
Rev A (11/11)

Stylmark Installation Instructions: PrintFrame™ - 1 3/8" Single-Sided

Step-by-Step Instructions – Graphic Installation:

1. Begin by opening the frame by flipping back all four sides of the frame. **See Figure 3.**
2. Place the graphic in the print frame.
3. Close frame on all sides.



Stylmark Installation Instructions: PrintFrame™ - 1 3/8" Single-Sided

PrintFrames™ shipped in kit form can be assembled on the wall one section at a time or pre-assembled and lifted into place as a complete unit. Choose which is best for your application and proceed accordingly.

Step-by-Step Instructions – Unit Assembly – Round Corners:

1. With the frame already open, hold one side of the unit on the wall in the desired location. Using a level to ensure proper alignment, mark the wall through the holes pre-drilled in the body. **See Figure 4.**
2. Using a 3/16" drill bit, drill holes and install the plastic anchors. **See Figure 4.**
3. Skip ahead to step 4 if pre-assembling your PrintFrame. If assembling on the wall, use the flat head wood screws to screw through the body and into the anchors. **See Figure 4.**
4. Open the frame of a connecting side and slide it onto the end of the first side so that the hole in the leg of the plastic corner lines up with the hole pre-drilled in the body. Install the #8x3/8" sheet metal screws through the leg of the plastic corner. **See Figure 5.**
5. Repeat step 4 for the remaining sides, using a level or carpenter's square to maintain squareness. Mark holes and install the remaining anchors as shown in figure 4.

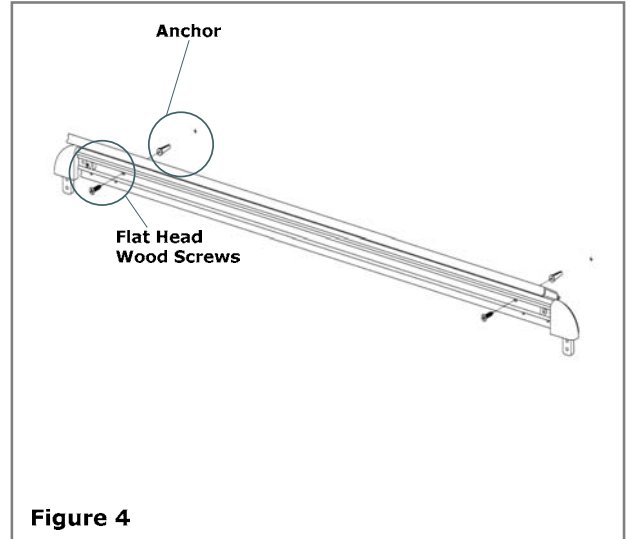


Figure 4

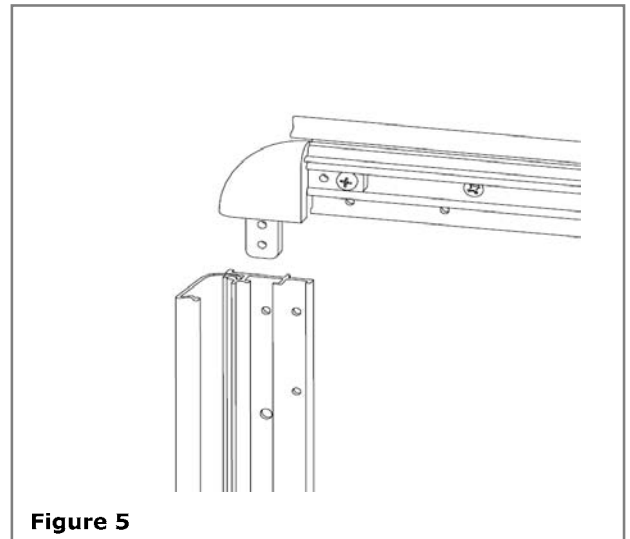


Figure 5

Step-by-Step Instructions – Unit Assembly – Square Corners:

1. Mark and install anchors as described in steps 1 and 2 above. **See Figure 4.**
2. Each corner bracket pair consists of one plain bottom bracket and one top bracket with sets crews. Slide one pair into each end of the frame and advance the screw so that the brackets are held loosely in the groove. **See Figure 6.**
3. Open the frame of two connecting sides, slide them into the exposed ends of the corner brackets and tighten the sets crews when the sides join cleanly. **See Figure 7.**
4. Install corner brackets in the ends of the remaining side and slide it into the open ends of the sides already installed. Use a level or carpenter's square to maintain squareness, loosening and retightening the corner brackets as needed. Mark the holes and install the remaining anchors as shown in figure 4.

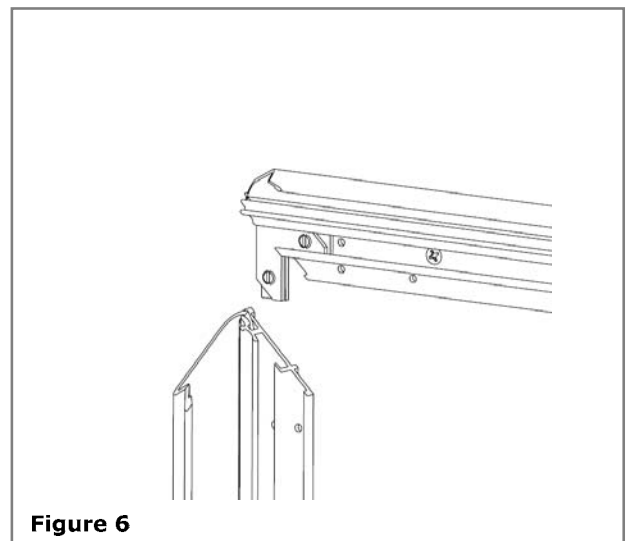


Figure 6

Part Number# 971695
Rev A (11/11)

Stylmark Installation Instructions: PrintFrame™ - 1 3/8" Single-Sided

Step-by-Step Instructions – Corner Alignment:

If the frames have migrated during shipping and look similar to the picture below, please follow the steps below to correct the issue.

1. Begin opening the frame by opening back all four sides of the frame. **See Figure 2.**
2. Wiggle one frame section opening and closing as you slide the edge of the frame to match up with the edge of the sign body extrusion. **See Figure 8.**
3. Close the frame and proceed to an adjoining frame section until all four sections are closed and the corner match up. **See Figure 9.**

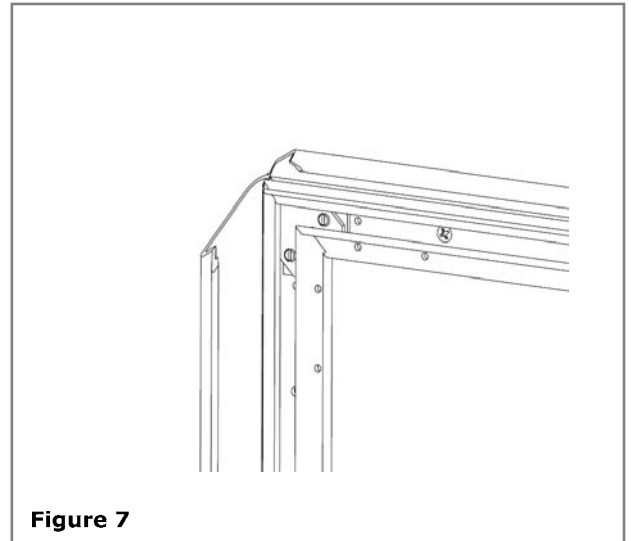
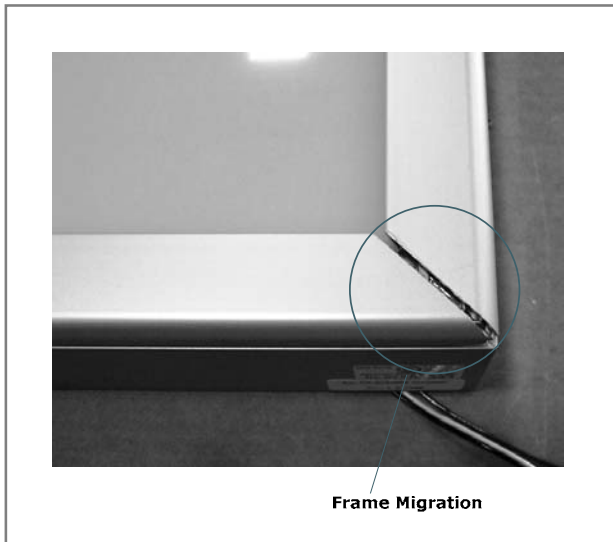


Figure 7



Frame Migration

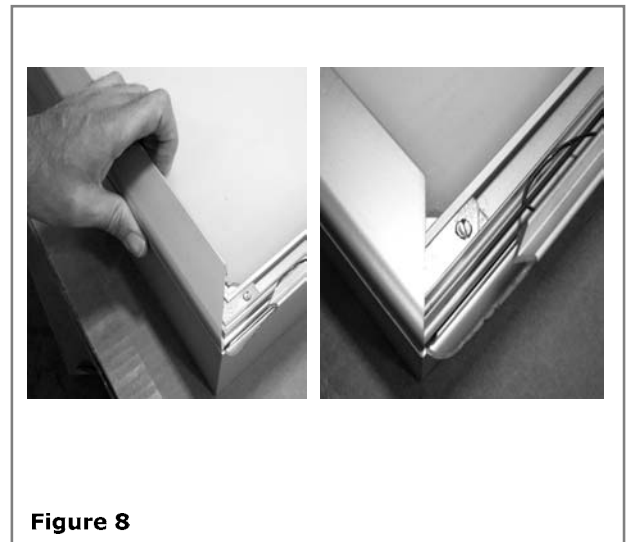


Figure 8

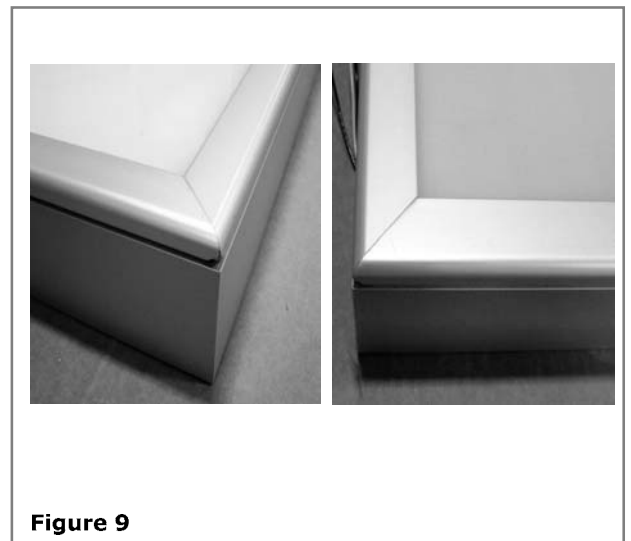


Figure 9