



Installation Instructions

Panorama™ Convex-Faced Double-Sided Light Box

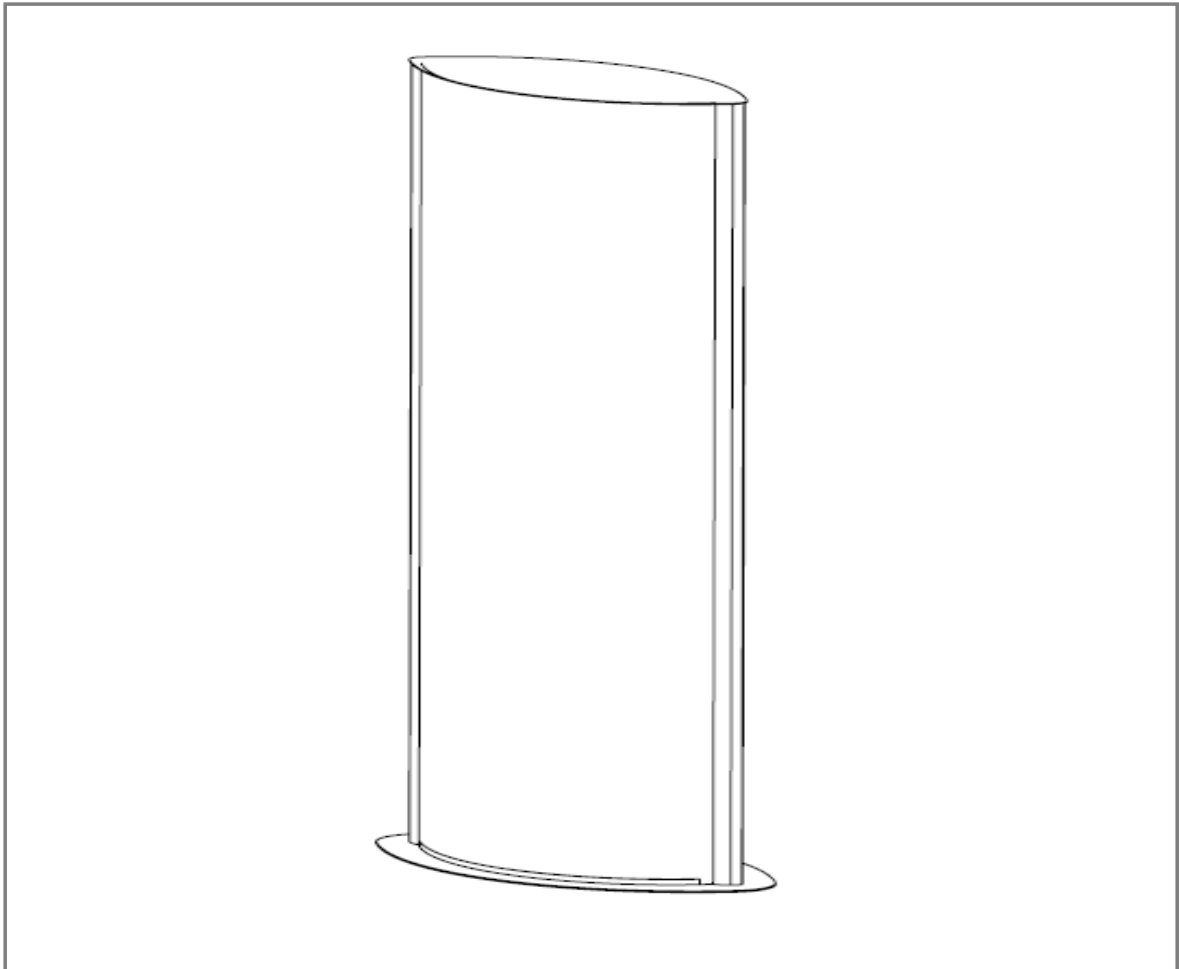


Figure 1

INSTALLATION INSTRUCTIONS

Before you begin

These instructions illustrate the Stylmark® Panorama™ Convex-Faced Double-Sided Light Box. If you have questions during assembly, call 800-328-2495 to request technical assistance.

Tools you'll need

- Screwdriver

Please read these instructions carefully before beginning installation.

Part Number# 971675
Rev A (5/11)

Stylmark Installation Instructions: Panorama™ Convex-Faced Double-Sided Light Box

Getting Started:

These instructions are for Panorama™ Convex-Faced Double-Sided Light Box. Follow the instructions for the assembly ordered. Standard mounting kit is included with assembly.

Please review all electrical requirements on the label before connecting. Do not use improper current.

This sign is intended to be installed in accordance with the requirements of Article 600 of the National Electrical Code and/or other applicable local codes. This includes proper grounding and bonding of the sign.

Step-by-Step Instructions – Lamp Installation:

Lamps are shipped encased in foam inside of the unit.

1. Remove the screws at the left and right ends on the top of the plastic cap and set it aside. **See Figure 2.** Slide the cardboard sleeves up and off the ends of the pillars.
2. Flip open the frame pieces on the left and right pillars and remove the face sheet. **See Figure 3.**
3. Slide the acrylic sheet up about 1" to clear the lip of the bottom cap and then pull it out of the retaining groove on either side. **See Figure 4.** Take out the acrylic and face sheet from the second side of the unit.
4. Remove the protective film from both sides of the acrylic and face sheets.
5. Unwrap the lamps and install them by inserting the prongs into the sockets and turning the lamps until they lock into position. **See Figure 5.**
6. Plug in the unit and check that all lamps are lit.

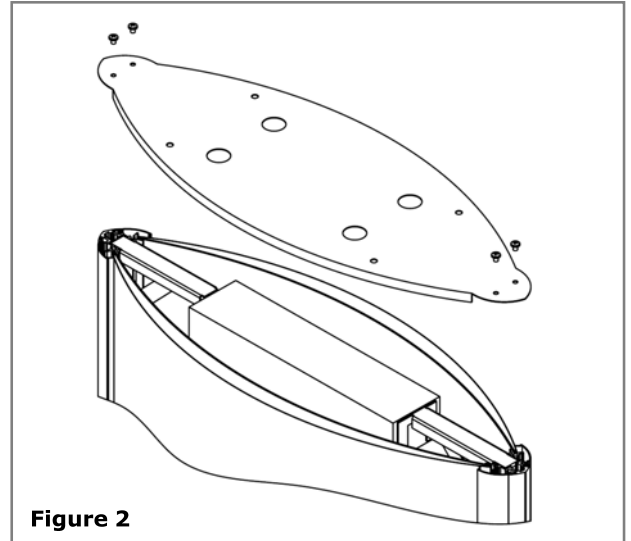


Figure 2

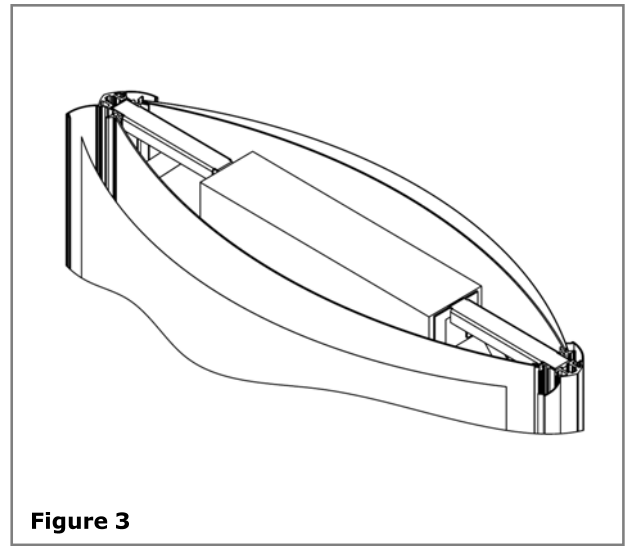


Figure 3

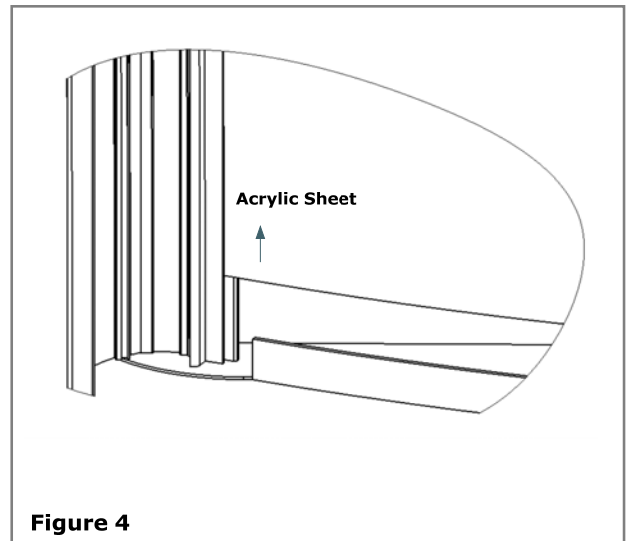


Figure 4

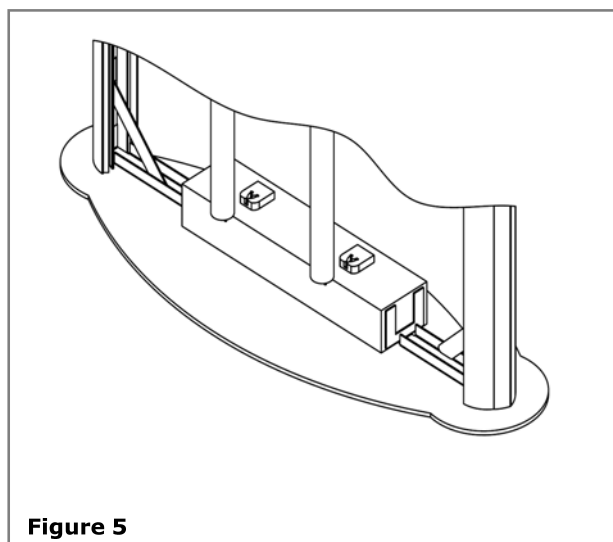


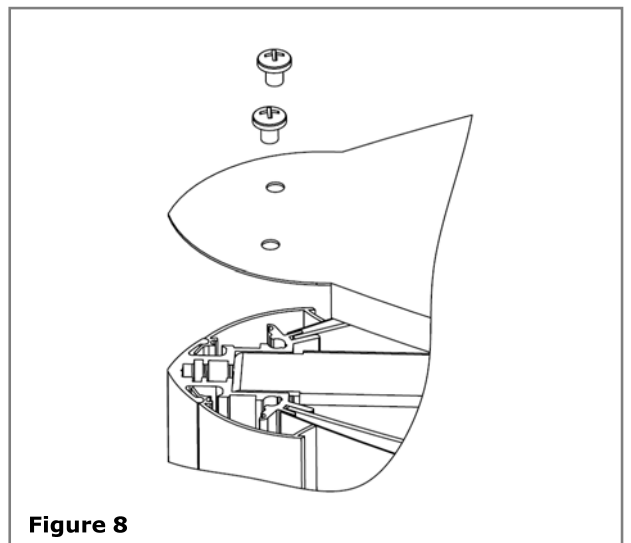
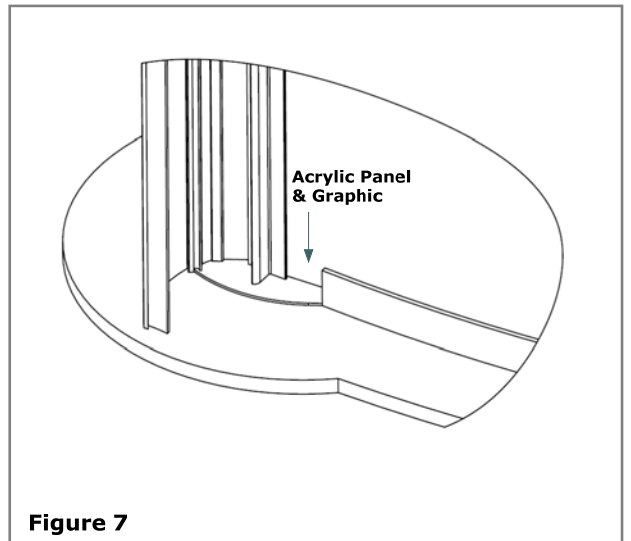
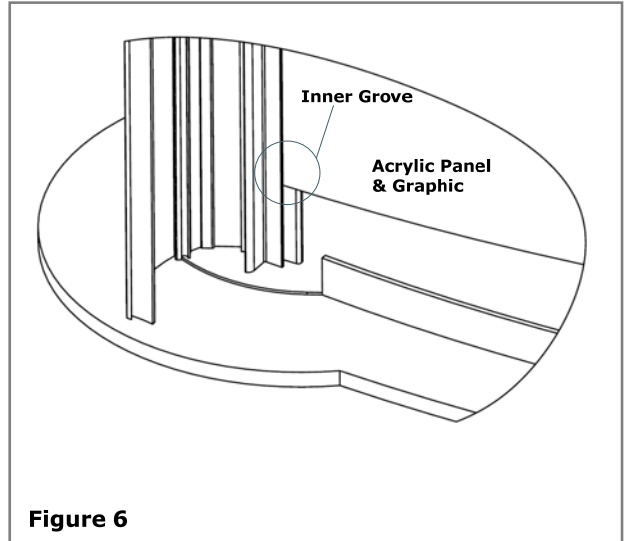
Figure 5

Part Number# 971675
Rev A (5/11)

Stylmark Installation Instructions: Panorama™ Convex-Faced Double-Sided Light Box

Step-by-Step Instructions – Graphic Installation:

1. Locate the inner groove of each post. Hold the acrylic panel about one inch above the bottom cap, fit one edge of the acrylic panel into the inner groove along the entire height of one pillar, and then do the same on the other side of the unit. **See Figure 6.**
2. Slide the acrylic panel down to the bottom so that it rests behind the front lip of the cap. **See Figure 7.**
3. Next, insert the graphic and face sheet. Replace the top cap and secure the screws. **See Figure 8.**



Part Number# 971675
Rev A (5/11)