



Installation Instructions

Panorama™ Convex-Faced Light Box Single-Sided Unit

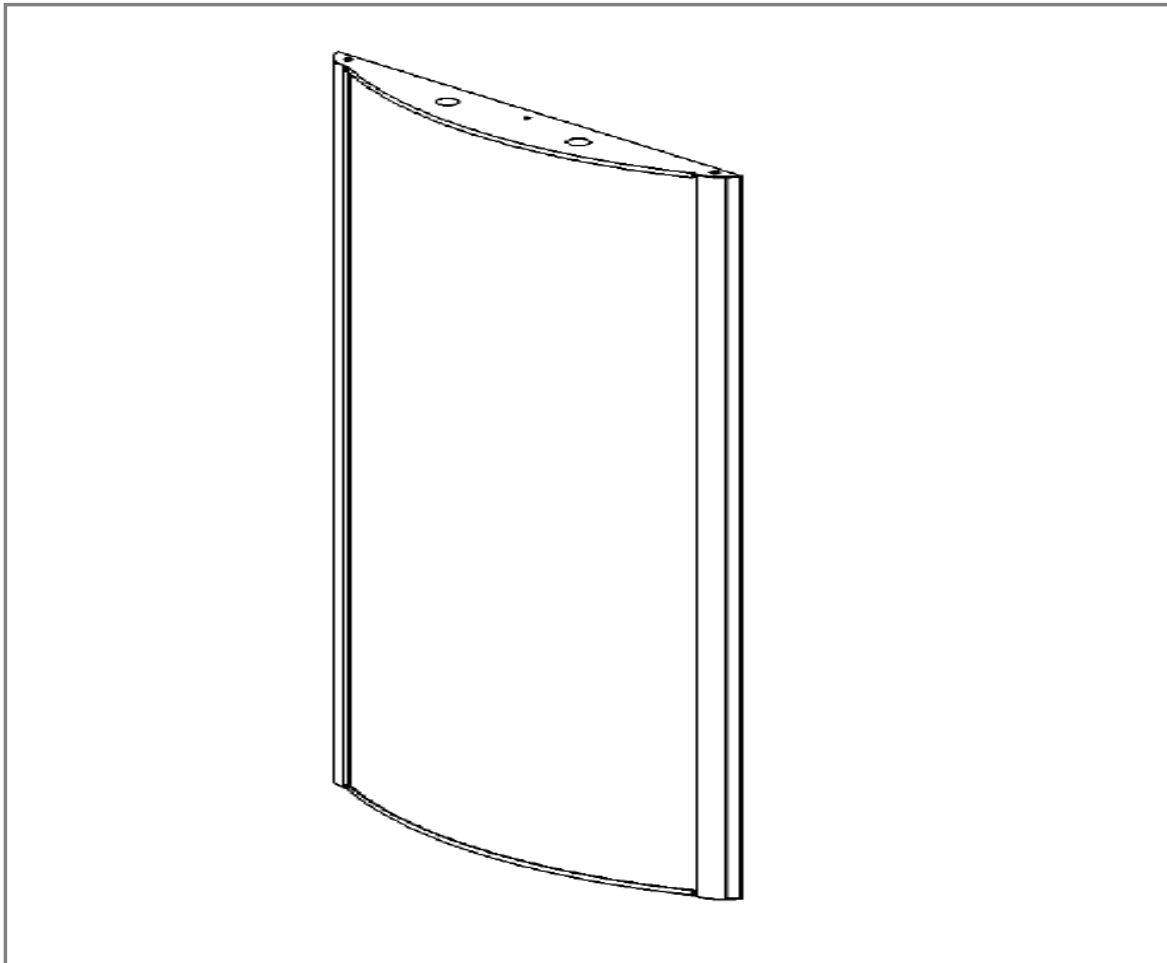


Figure 1

INSTALLATION INSTRUCTIONS

Before you begin

These instructions illustrate the Stylmark® Panorama™ Convex-Faced Light Box. If you have questions during assembly, call 800-328-2495 to request technical assistance.

Tools you'll need

- Screwdriver
- Pencil
- 1/4" Drill (varies by application)

Please read these instructions carefully before beginning installation.

Part Number# 971676
Rev A (5/11)

Stylmark Installation Instructions: Panorama™ Convex-Faced Light Box

Getting Started:

These instructions are for Panorama™ Convex-Faced Light Box. Follow the instructions for the assembly ordered. Standard mounting kit is included with assembly.

Please review all electrical requirements on the label before connecting. Do not use improper current.

If the unit is hard-wired, a qualified electrician should perform electrical connection.

This sign is intended to be installed in accordance with the requirements of Article 600 of the National Electrical Code and/or other applicable local codes. This includes proper grounding and bonding of the sign.

Step-by-Step Instructions – Lamp Installation:

Lamps are shipped encased in foam inside of the unit.

1. Remove the screws at the left and right ends on the top of the hinged plastic cap and flip it up. **See Figure 2.**
2. Flip open the frame pieces on the left and right pillars and remove the face sheet, if ordered. **See Figure 3.**
3. Slide the acrylic sheet up about 1" to clear the lip of the bottom cap and then pull it out of the retaining groove on either side. **See Figure 4.**
4. Remove the protective film from both sides of the acrylic sheet and face sheet.
5. Unwrap the lamps and install them by inserting the prongs into the sockets and turning the lamps until they lock into position. **See Figure 5.**

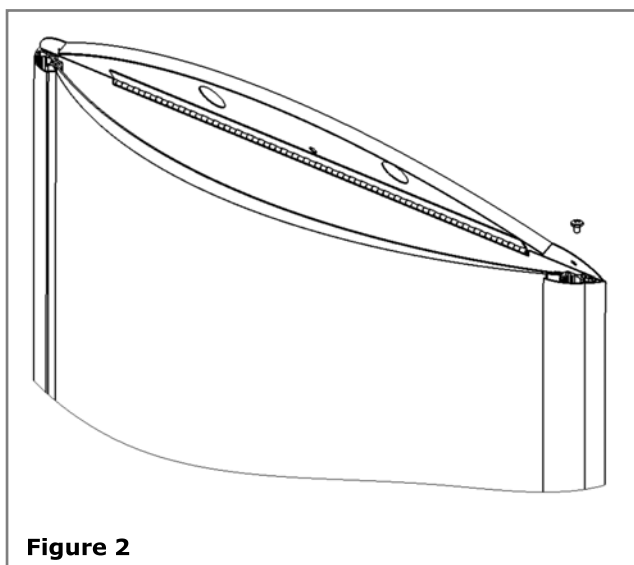


Figure 2

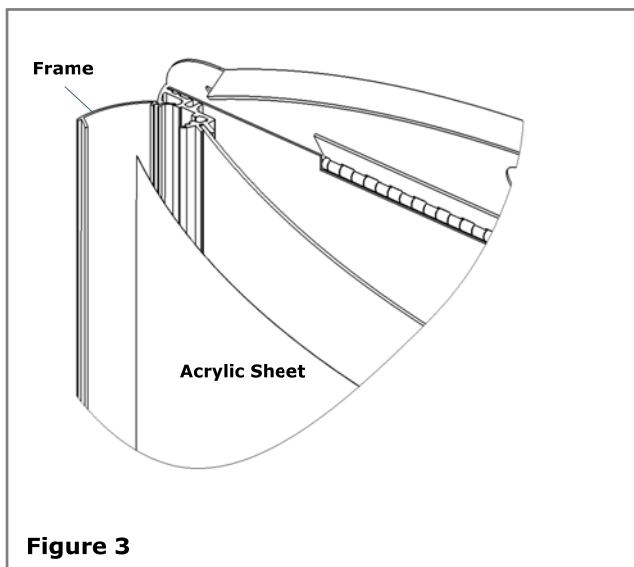


Figure 3

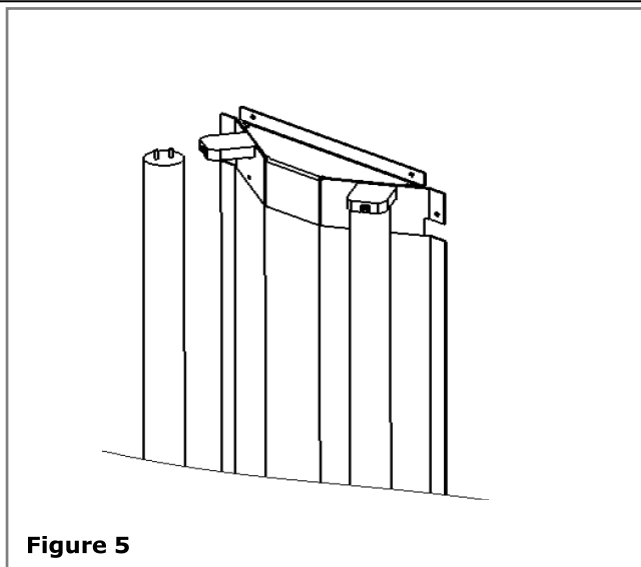


Figure 5

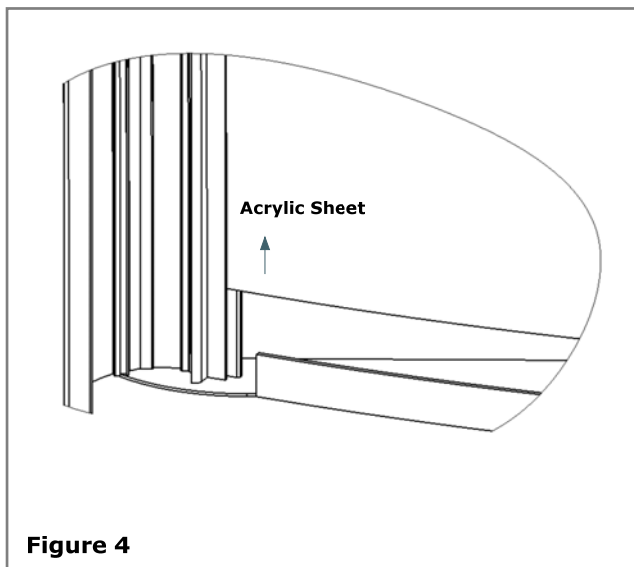


Figure 4

Part Number# 971676
Rev A (5/11)

Stylmark Installation Instructions: Panorama™ Convex-Faced Light Box

Step-by-Step Instructions – Mounting:

1. With the acrylic sheet removed, hold the unit against the wall in the desired location and mark the positions of the mounting screws through the tops of the keyhole slots in the back of the unit. **See Figure 6.**
2. Using 1/4" drill bit, drill through the marks and install the plastic anchors. **See Figure 7.**
3. Insert the mounting screws, leaving about 1/4" to 3/8" protruding. **See Figure 8.** Position the display unit over the screws and pull down lightly to ensure screws are securely seated the keyhole slots.

CAUTION: If unit is hard-wired, electrical connections should be performed by a qualified electrician.

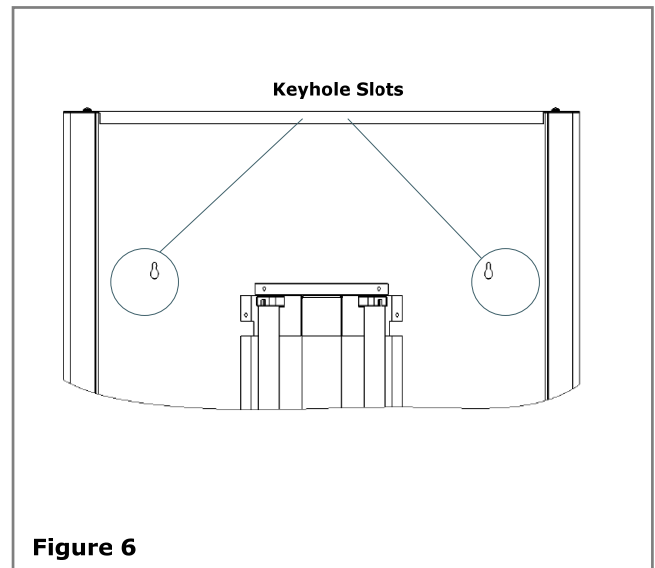


Figure 6

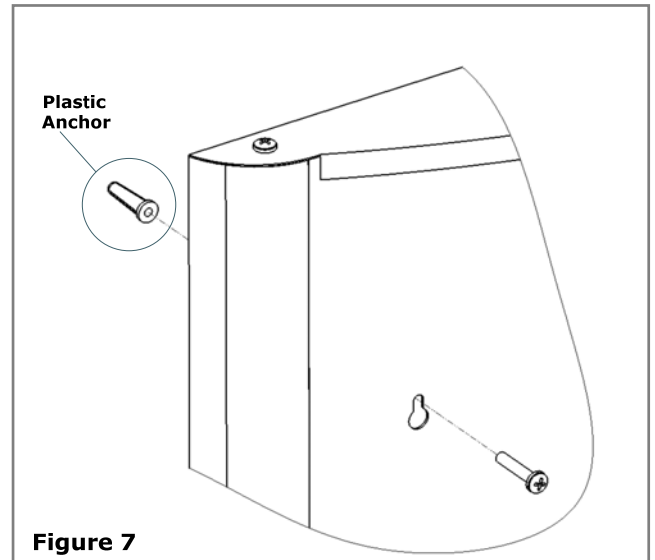


Figure 7

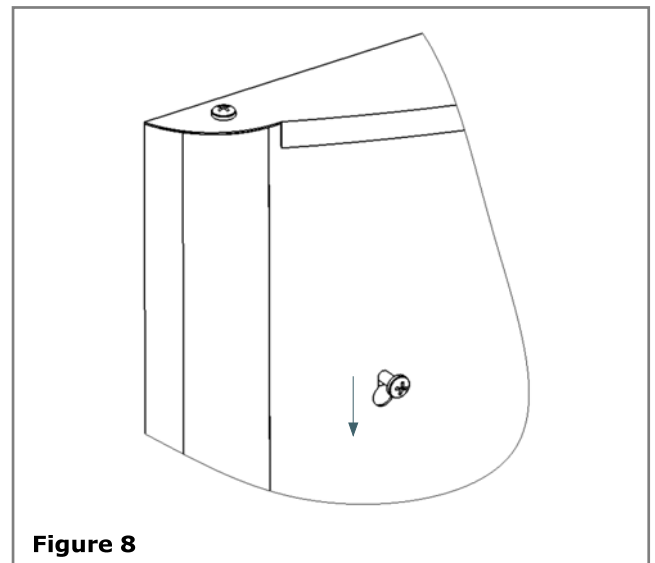


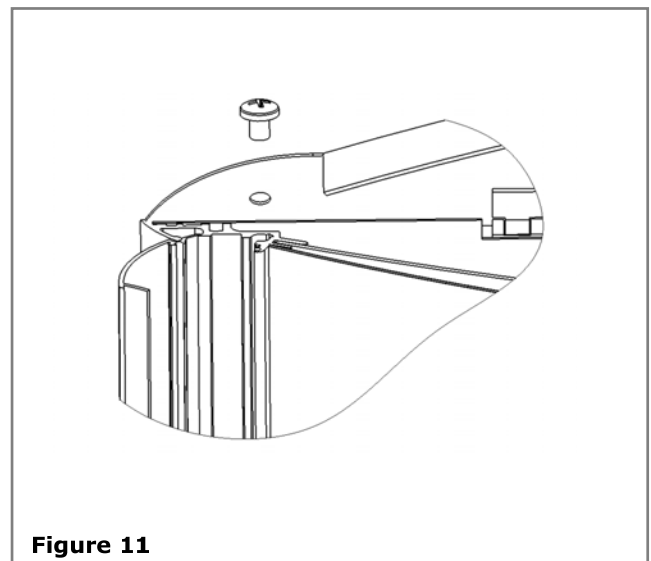
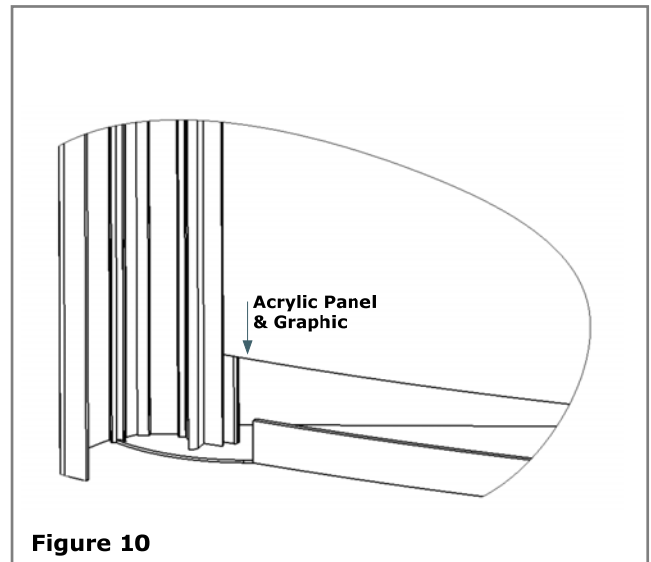
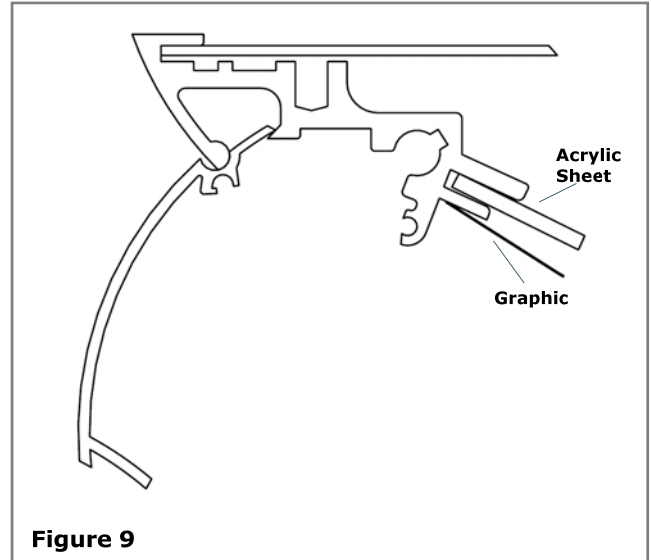
Figure 8

Part Number# 971676
Rev A (5/11)

Stylmark Installation Instructions: Panorama™ Convex-Faced Light Box

Step-by-Step Instructions – Graphic Installation:

1. Locate the inner groove of each post. Hold the acrylic panel about one inch above the bottom cap, fit one edge of the acrylic sheet into the inner groove along the entire height of one pillar, then repeat with the other side of the unit **See Figure 9.**
2. Slide the acrylic sheet down to the bottom so that it rests behind the front lip of the cap. **See Figure 10.**
3. Next, insert the graphic and face sheet, if ordered. Close the top cap of the unit and replace the screws. **See Figure 11.**



Part Number# 971676
Rev A (5/11)