

**Figure 1**

## INSTALLATION INSTRUCTIONS

### *Before you begin*

These instructions illustrate the Stylmark Mirror Frames (Models 620062). If you have questions during assembly, call 800-328-2495 to reach technical assistance. This package does not include mirror or mounting hardware, which are necessary for complete assembly.

### *Tools you'll need*

- #2 Phillips screwdriver
- Fasteners and mounting hardware (obtain locally)
- Tape measure
- Drill and bits
- Level

**Please read these instructions carefully before beginning installation.**

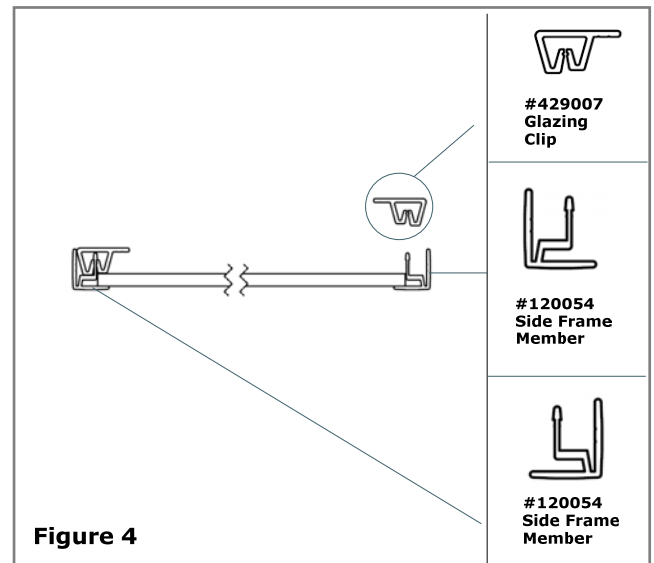
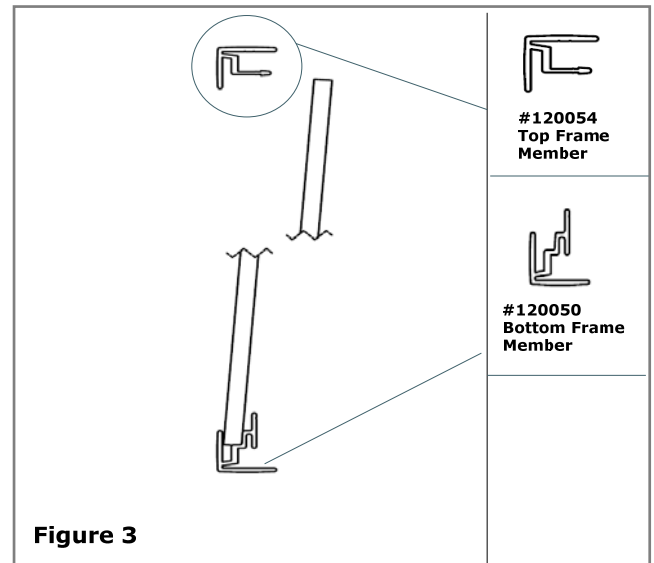
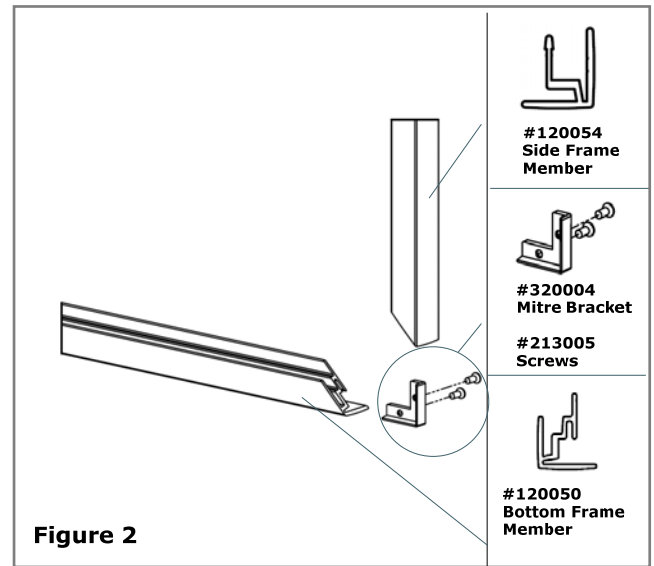
# Stylmark Installation Instructions: Mirror Frames

## Getting Started:

These instructions are for mirror frame assemblies. For mirror frames with a shelf, the shelf functions as the bottom frame section. Assembly is the same for units with or without a shelf.

## Step-by-Step Instructions – Assembly:

1. Position the frame sections (without fastening them together) face side down on a protected surface.
2. Slide the corner miter bracket assemblies into the ends of the frame sections and secure with screws (part #213005). Tighten all screws evenly to obtain hairline miter joints. **See Figure 2.**
3. Insert the mirror into the frame at an angle, bottom edge first. Then carefully push the top of the mirror into the top of the frame. **See Figure 3.**
4. Snap glazing clips into place on the insides of the vertical frame sections. Place clips a maximum of two feet apart. Glazing clips keep the glass snug against the frame. **See Figure 4. Option:** if you are using glazing wedges (ordered separately) to stabilize the mirror and the retaining leg on the bottom frame section near the corners. Space additional wedges approximately 12" to 15" apart. **See Figure 5.**

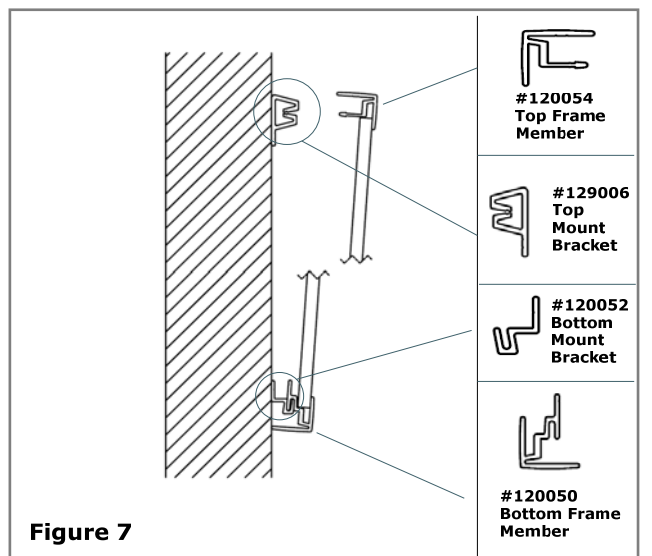
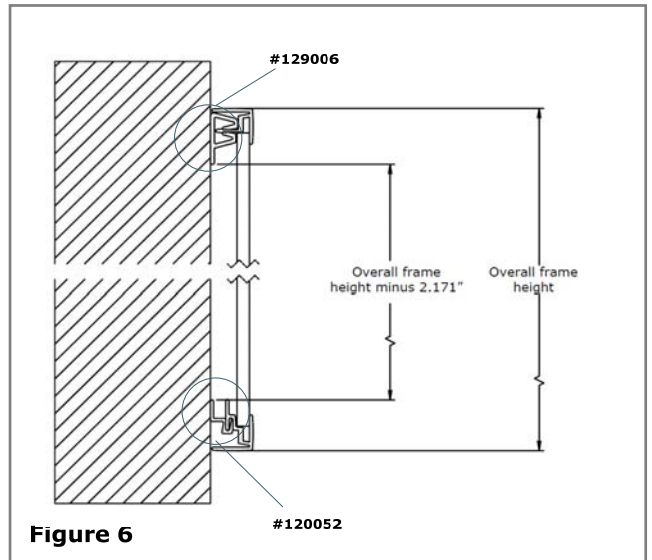
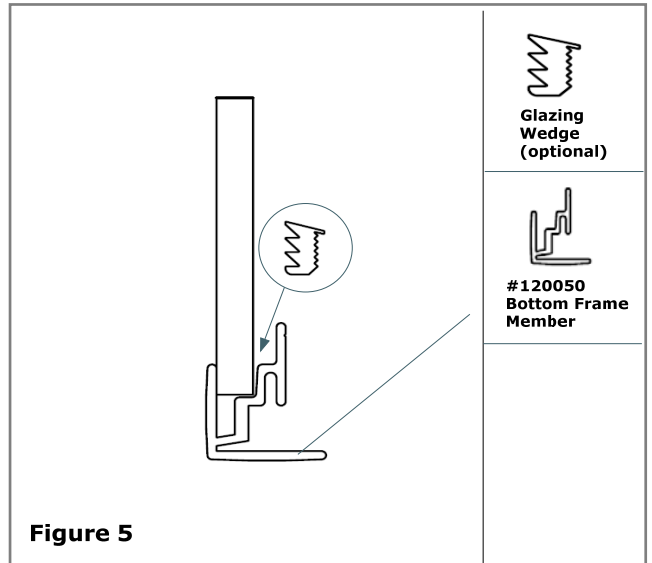


971228  
Rev C (5/11)

# Stylmark Installation Instructions: Mirror Frames

## Step-by-Step Instructions – Installation:

1. Position the top (part #129006) and bottom (part #120052) mount brackets separately and space them accurately so that they line up with the mirror frame members at the top and bottom. **See Figure 6.**
2. Drill mounting holes in the wall and fasten the brackets to the wall. **See Figure 7.**
3. Center the mirror frame over the mount brackets. Insert the bottom section of the mirror frame into the bottom mount bracket. **See Figure 7.** Push the top section of the mirror frame against the top mount bracket until it snaps into place.



971228  
Rev C (5/11)