



Luminaire Ultra II
Backlit Display – Wall Inset
Model #690162

Installation Instructions

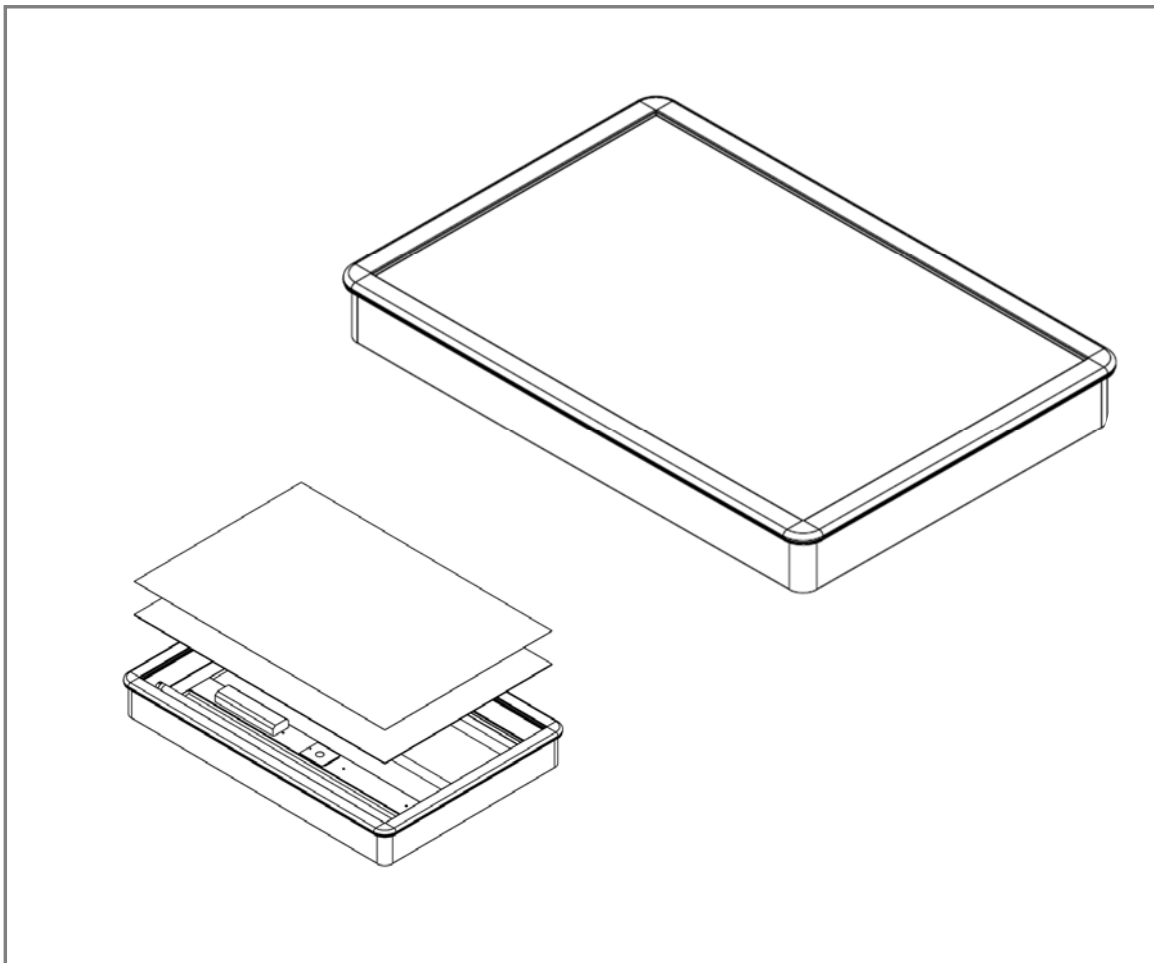


Figure 1

INSTALLATION INSTRUCTIONS

Before you begin

These instructions illustrate the Stylmark® Luminaire Ultra II Backlit Display – Wall Inset. If you have questions during assembly, call 800-328-2495 to request technical assistance.

Tools you'll need

- Screwdriver
- Shims
- 1/8" or 1/4" Drill (varies by application)
- 3/16" x 1" wood screws

Please read these instructions carefully before beginning installation.

Part Number# 971662
Rev B (10/11)

Stylmark Installation Instructions: Luminaire Ultra II Backlit Display

Getting Started:

These instructions are for the Luminaire Ultra II Backlit Light Box – Wall Inset. Follow the instructions for the assembly ordered. Foam encased lamps and mounting hardware will be found within the unit.

Please review all electrical requirements on the label before connecting. Do not use improper current.

If the unit is hard-wired, a qualified electrician should perform electrical connection.

This sign is intended to be installed in accordance with the requirements of Article 600 of the National Electrical Code and/or other applicable local codes. This includes proper grounding and bonding of the sign.

Step-by-Step Instructions – Lamp Installation:

1. Open the unit by flipping back the frame on all four sides. If ordered with the unit, remove the clear plastic face. Remove the white diffusion panel by gripping plastic tabs along the sides and pulling it toward you, bowing it slightly to clear the corners. Take out foam encased lamps and mounting hardware.
2. Unwrap the lamps and install into lamp sockets by inserting the prongs into the sockets and turning until they lock into position. **See Figure 2.**

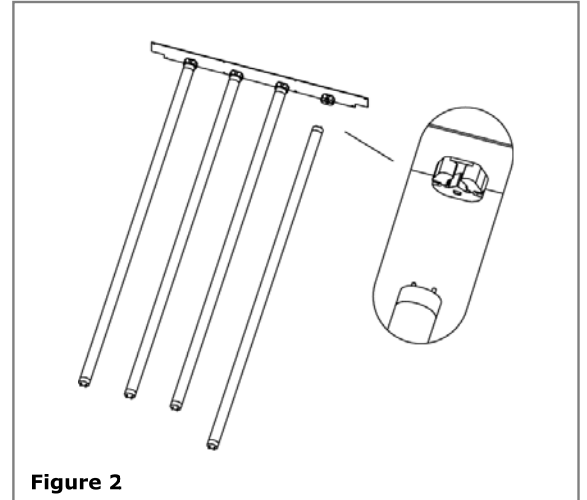


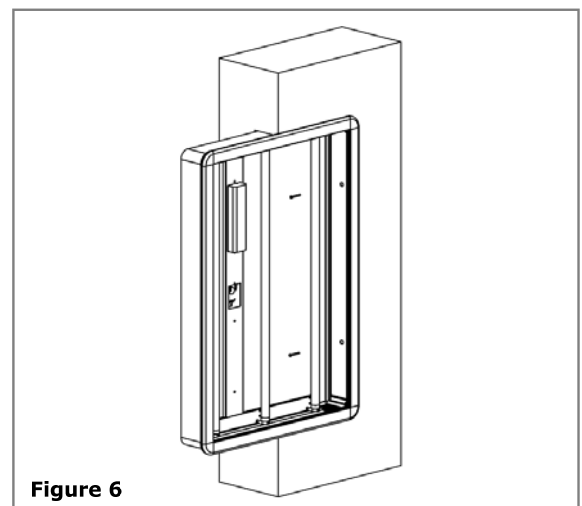
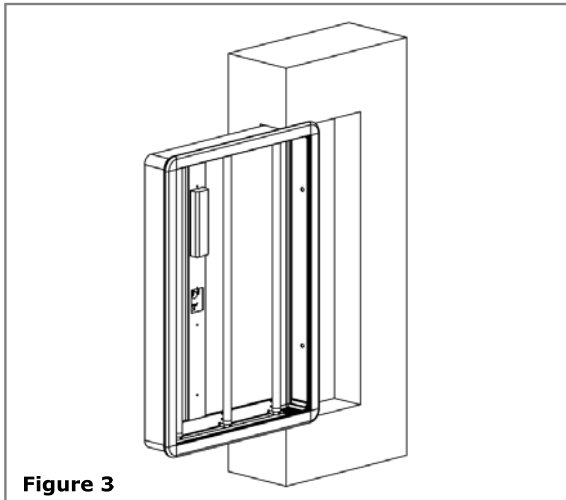
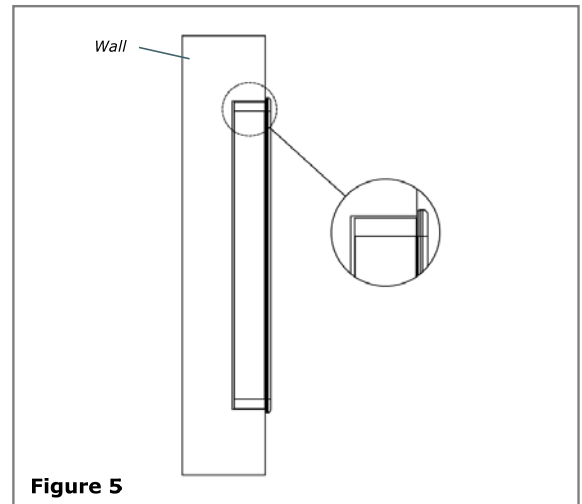
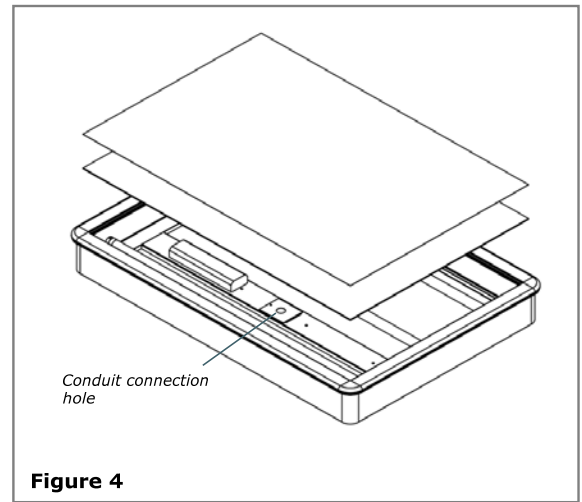
Figure 2

Stylmark Installation Instructions: Luminaire Ultra II Backlit Display

Step-by-Step Instructions – Wall Inset

Note: Hard-wired units must have power turned off before servicing. A qualified electrician should perform electrical connections for hard-wired units.

1. Mounting holes are located on the side of the unit. A hole is provided on the back of the unit for conduit connection (If the conduit must enter through another location, a hole can be cut for this purpose through any side of the unit). **See Figures 3 & 4.**
2. Fit unit into recessed wall so the lip of the frame is flush with the wall. **See Figure 5.** Note: It is recommended that the hole cut into the wall should be $1/8"$ – $1/4"$ larger than the part of the unit that is to be recessed. The lip of the unit that mounts flush with the wall is $1/2"$ wider than the unit on all sides.
3. Using $3/16"$ x $1"$ wood screws (obtain locally) fasten sides in pre-drilled holes. **See Figure 6.** Avoid bowing the sides of the unit as the screws are tightened, shim if necessary.



Part Number# 971662
Rev B (10/11)

Stylmark Installation Instructions: Luminaire Ultra II Backlit Display

Step-by-Step Instructions – Transparency Installation:

1. Peel the protective coating from both sides of the white diffusion panel. **See Figure 7.**
2. If ordered, peel coating from both sides of the face sheet.
3. Place the transparency between the white diffusion panel on the bottom and clear plastic sheet on top (if ordered). **See Figure 8.**
4. Install the transparency assembly into the frame by simply reversing the removal step under “Step-by-Step Instructions – Lamp Installation”.

Step-by-Step Instructions – For Lamp and Transparency Changes:

Transparency Use:

1. If the transparency appears wrinkled or wavy, it may be oversized and should be removed & trimmed slightly.
2. If moisture or static electricity spots are visible, insert a small amount of talcum or foot powder on the transparency where these spots appear.
3. If you intend to use the same transparency for an extended period and/or near a window, a Cibachrome® or process-printed transparencies is recommended.

Lamp Replacement:

1. Replace lamp with identical lamps only. In most models, lamps contain a color-correct phosphor. These lamps are not normally available at retail outlets, such as hardware stores. They may be ordered from a commercial supplier or from Stylmark directly at 800-328-2495.

