



Luminaire Ultra II Backlit Display

Model #690116

Installation Instructions

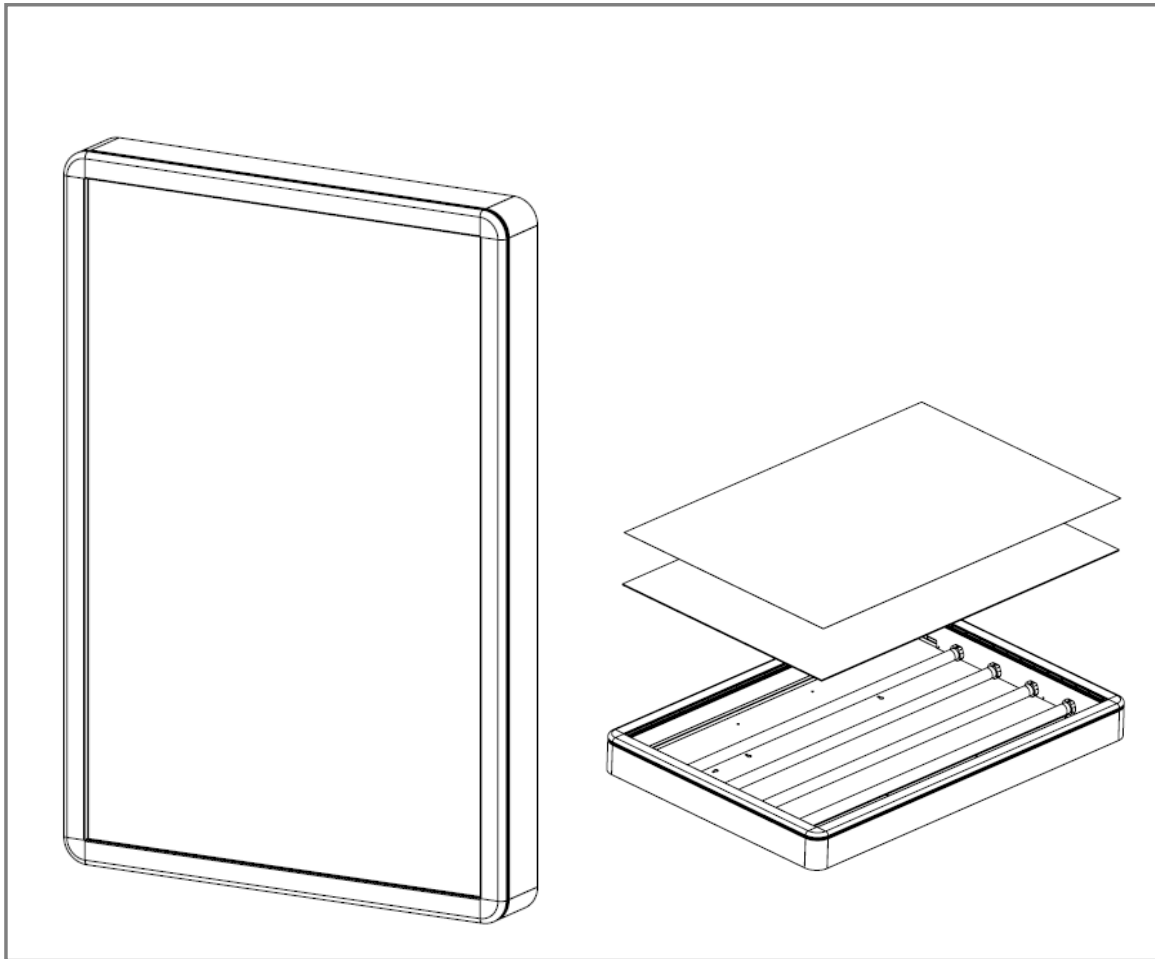


Figure 1

INSTALLATION INSTRUCTIONS

Before you begin

These instructions illustrate the Stylmark® Luminaire Ultra II Backlit Display – Model 690116. If you have questions during assembly, call 800-328-2495 to request technical assistance.

Tools you'll need

- Screwdriver
- 1/8" or 1/4" Drill (varies by application)

Please read these instructions carefully before beginning installation.

Part Number# 971660
Rev C (8/11)

Stylmark Installation Instructions: Luminaire Ultra II Backlit Display

Getting Started:

These instructions are for the Luminaire Ultra II Backlit Light Box – Model 690116. Follow the instructions for the assembly ordered. Foam encased lamps and mounting hardware will be found within the unit.

Please review all electrical requirements on the label before connecting. Do not use improper current.

If the unit is hard-wired, a qualified electrician should perform electrical connection.

This sign is intended to be installed in accordance with the requirements of Article 600 of the National Electrical Code and/or other applicable local codes. This includes proper grounding and bonding of the sign.

Step-by-Step Instructions – Lamp Installation:

1. Open the unit by flipping back the frame on all four sides. If ordered with the unit, remove the clear plastic face. Remove the white diffusion panel by gripping plastic tabs along the side and pulling it toward you, bowing it slightly to clear the corners. Take out foam encased lamps and mounting hardware.
2. Unwrap the lamps and install into lamp sockets by inserting the prongs into the sockets and turning until they lock into position. **See Figure 2.**
3. For units with 2 ½" depth, to ensure proper illumination, each lamp has a film adhered to the front side. The film should be facing outward, toward the transparency. The seam should be facing back in the opposite direction.

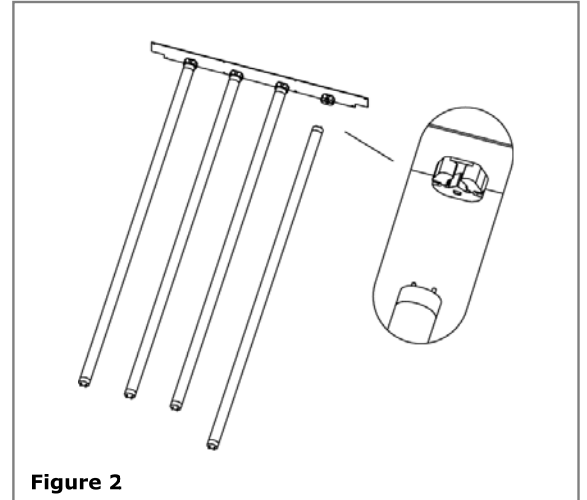
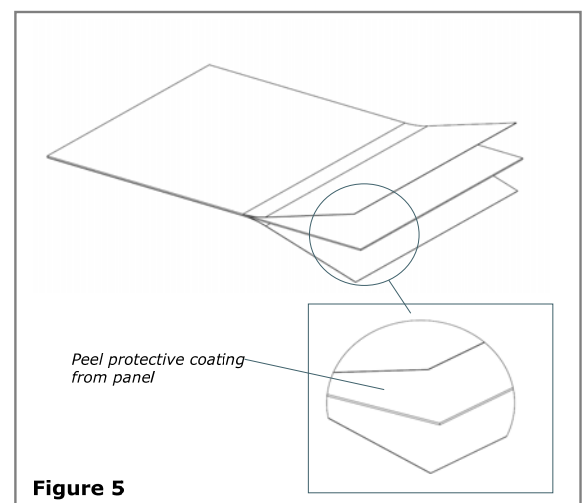
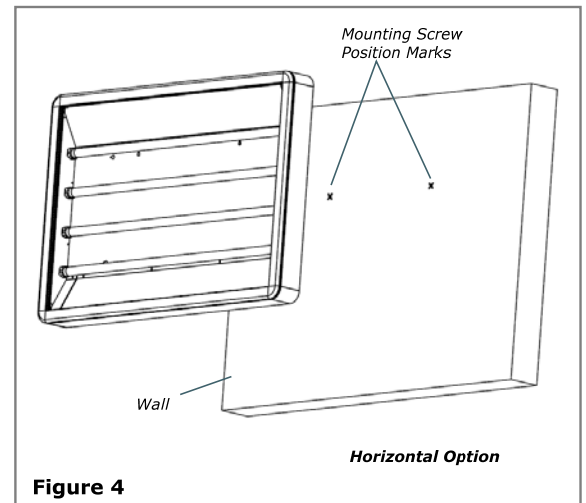
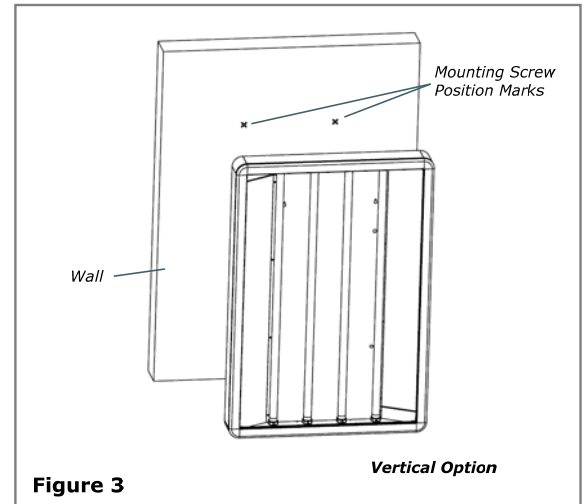
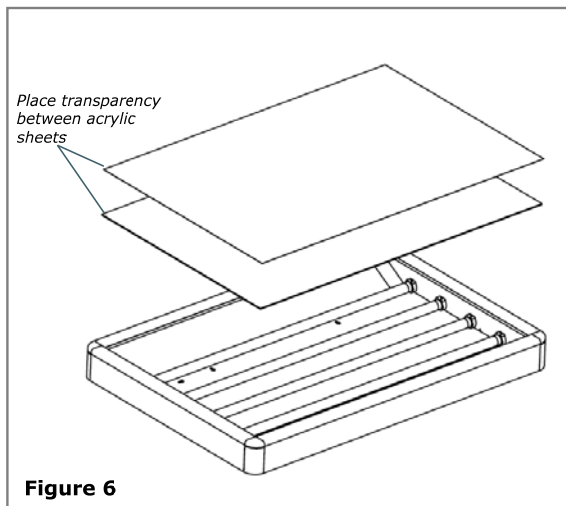


Figure 2

Stylmark Installation Instructions: Luminaire Ultra II Backlit Display

Step-by-Step Instructions:

1. Place the unit against the wall in the desired location and mark the positions of the mounting screws through the top of the keyhole slots on the back. **See Figures 3 & 4.**
2. If installing the mounting screws on a wood surface, use a 1/8" drill. If the surface is gypsum/plasterboard, use a 1/4" drill and insert plastic anchors.
3. Insert screws, leaving about 1/4" – 3/8" protruding.
4. Position the display unit over the screws. Exert a slight downward pressure to test for proper mounting strength.
5. Peel the protective coating from both sides of the white diffusion panel. **See Figure 5.**
6. Insert transparency and transparency assembly. **See Figure 6.**



Part Number# 971660
Rev C (8/11)

Stylmark Installation Instructions: Luminaire Ultra II Backlit Display

Step-by-Step Instructions – Pedestal Mount

Note: This option should be requested at time of order.

1. Attach the feet to the posts using the socket-head screws, two per foot. **See Figure 7.**

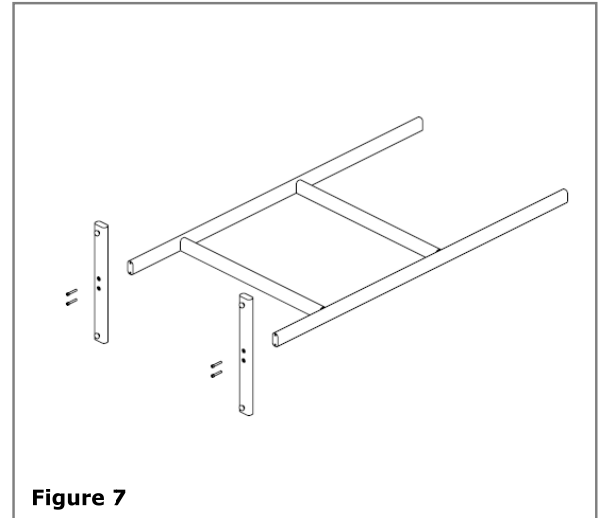


Figure 7

Step-by-Step Instructions – Tabletop / Counter & Suspended Mounting Options

Note: These options should be requested at time of order.

1. **Tabletop / Counter Option** – Aluminum feet can be ordered for this application. Please contact Stylmark at 1-800-328-2485 for more information about this option. **See Figure 8.**
2. **Suspended Option** – Hanging loops are attached to the unit when constructed. Attach appropriate hanging hardware (chain, cables, etc.) to suspend unit. Cord may be tied to chain or cables with tie-wraps. **See Figure 9.**

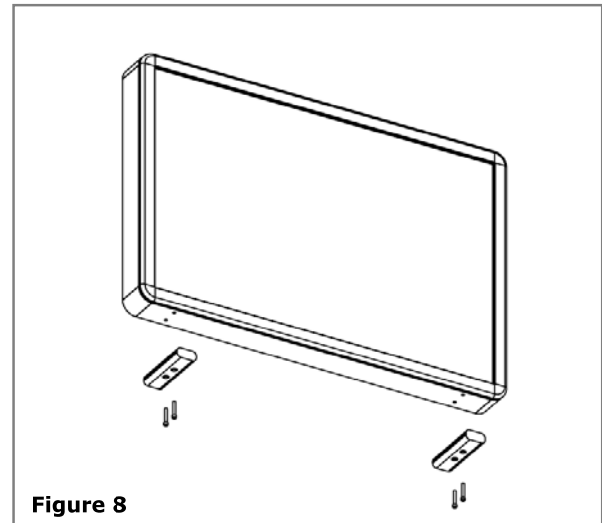


Figure 8

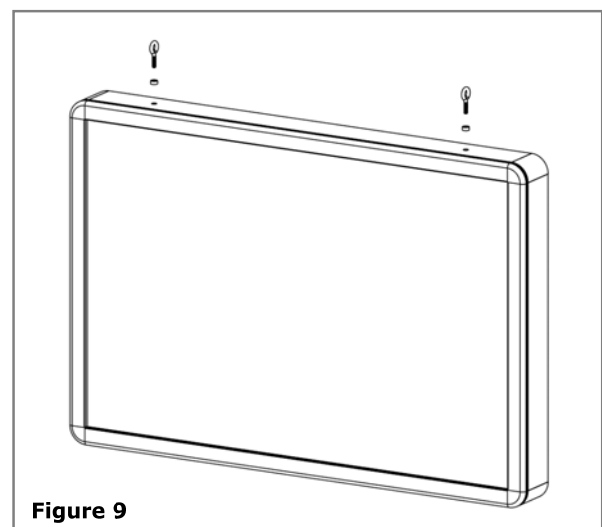


Figure 9

Part Number# 971660
Rev C (8/11)

Stylmark Installation Instructions: Luminaire Ultra II Backlit Display

Step-by-Step Instructions – Transparency Installation:

1. Peel the protective coating from both sides of the white diffusion panel. **See Figure 5.**
2. If ordered, peel coating from both sides of the face sheet.
3. Place the transparency between the white diffusion panel on the bottom and clear plastic sheet on top (if ordered). **See Figure 6.**
4. Install the transparency assembly into the frame by simply reversing the removal step under “Step-by-Step Instructions – Lamp Installation”.

Step-by-Step Instructions – For Lamp and Transparency Changes:

Transparency Use:

1. If the transparency appears wrinkled or wavy, it may be oversized and should be removed & trimmed slightly.
2. If moisture or static electricity spots are visible, insert a small amount of talcum or foot powder on the transparency where these spots appear.
3. If you intend to use the same transparency for an extended period and/or near a window, a Cibachrome® or process-printed transparencies is recommended.

Lamp Replacement:

1. Replace lamp with identical lamps only. In most models, lamps contain a color-correct phosphor. These lamps are not normally available at retail outlets, such as hardware stores. They may be ordered from a commercial supplier or from Stylmark directly at 800-328-2495.

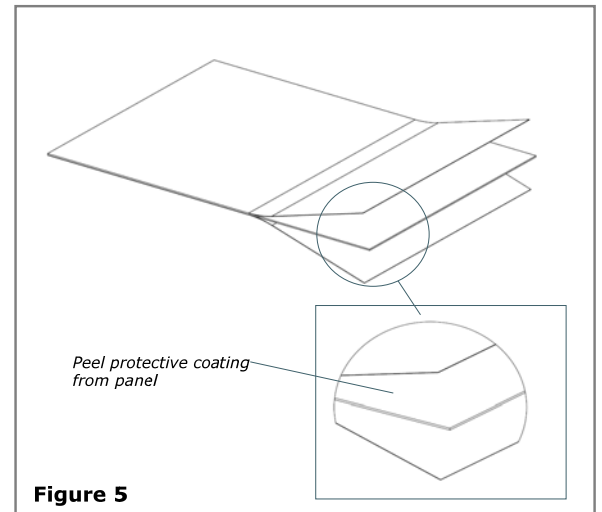


Figure 5

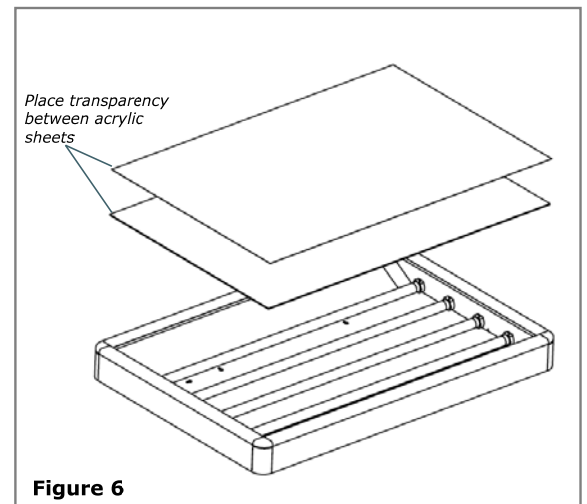


Figure 6