

Figure 1

Tools you'll need

- Hand drill
- Phillips screwdriver
- Drill and bits

INSTALLATION INSTRUCTIONS

Before you begin

These instructions illustrate the Stylmark® Glass Hinged Door Assemblies for all metal showcase applications. Options include top, bottom, and side hinge applications. If you have questions during assembly, call 800-328-2495 to reach technical assistance. This package does not include door panels.

Please read these instructions carefully before beginning installation.

Stylmark Installation Instructions: Door Assembly – Glass Hinged Doors

Getting Started:

This assembly typically requires ¼" panels. Make sure the showcase framework and top and side glass panels are secure before installing doors.

Step-by-Step Instructions – Top Hinge Application:

1. Position glazing tape on all four sides of the ¼" panel. Tap door molding into place with rubber mallet. After glazing, secure frame with #6 screws (part #212017). **See Figure 2.**
2. Fasten the cover channel with lock slot to the bottom of the door opening with #8 flat head screws | (part #212030). **See Figure 2.**
3. Place the knurled ends of the hinge pins into the hinge plates. Place hinge pins with plate into the extruded hinge molding located at top of the door. Place door assembly into door opening. Fasten door assembly with hinge plates to door with header screws from the accessory package. **See Figure 2.**

Step-by-Step Instructions – Bottom Hinge Application:

4. Position glazing tape on all four sides of the ¼" panel. Tap door molding into place with rubber mallet. After glazing, secure frame with #6 screws (part #212017). **See Figure 3.**
5. Place the knurled ends of the hinge pins into the hinge plates. Place hinge pin with plate into the extruded door molding located at the bottom of door. Place hinge molding located at bottom of door. Place hinge molding into door opening. Fasten door assembly with hinge plates to bottom cover channel with screws (part #212040). **See Figure 3.**

Step-by-Step Instructions – Side Hinge Application:

6. Position the glazing tape on all four sides of the ¼" panel. Tap door molding into place with rubber mallet. After glazing, secure frame with #6 screws (part #212017). **See Figure 4.**
7. Place the knurled ends of the hinge pins into the hinge plates. Place hinge pin with plate into the extruded hinge molding located at door side. Place door assembly into door opening. Fasten door assembly with hinge plates to jamb with screws (part #212040). **See Figure 4.**

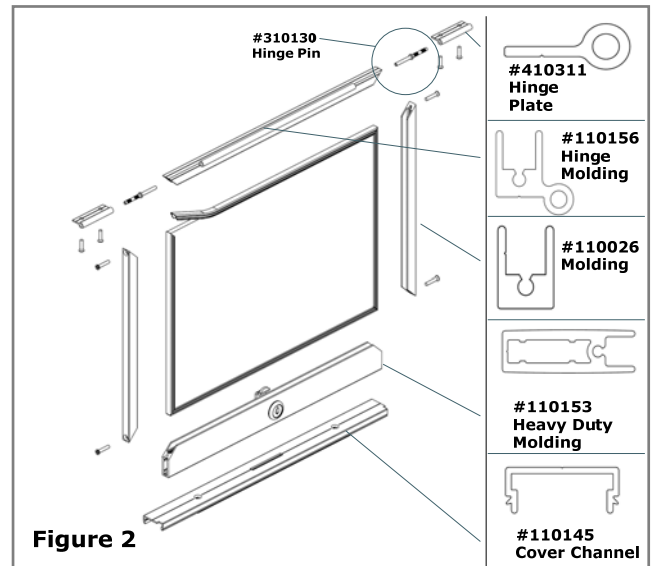


Figure 2

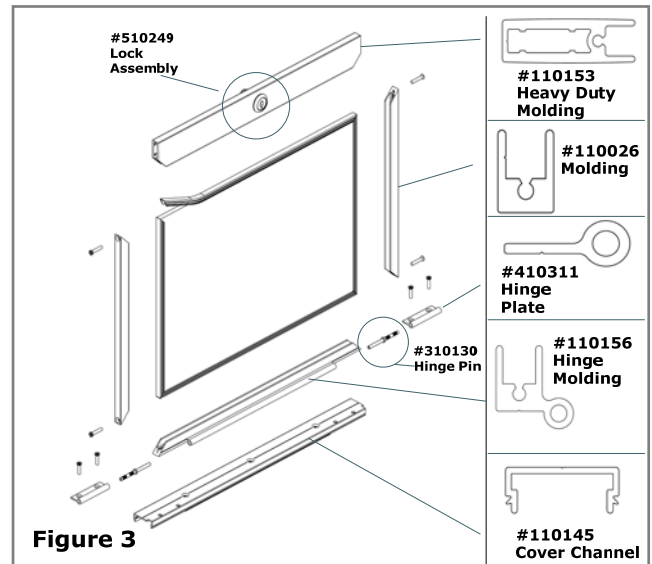


Figure 3

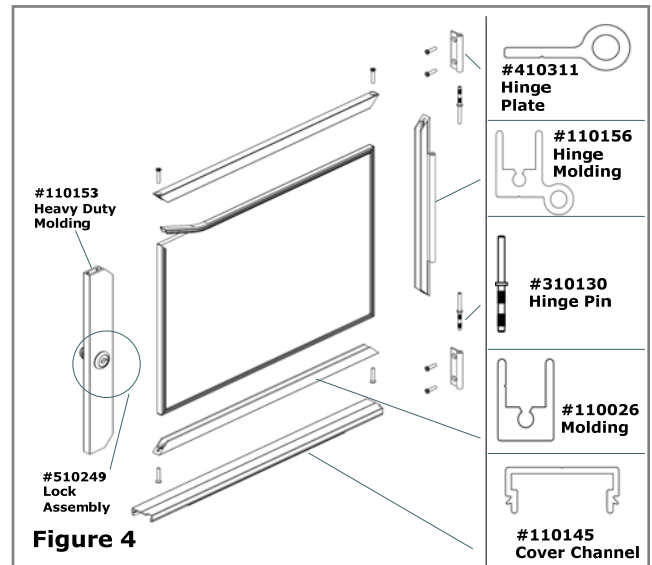


Figure 4