



Installation Instructions

Adjustable Tri-Vue Mirror Frame

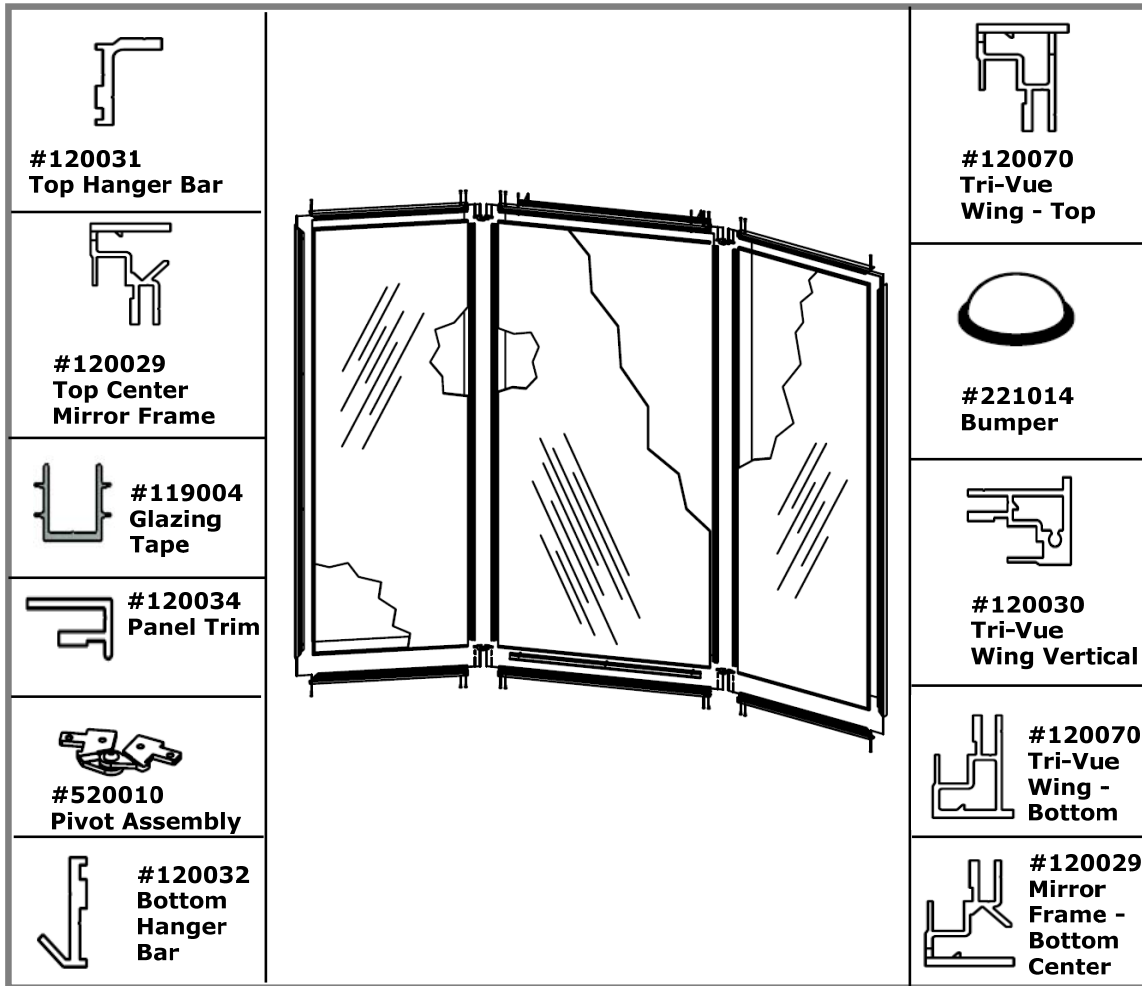


Figure 1

INSTALLATION INSTRUCTIONS

Before you begin

These instructions illustrate the Stylmark® Adjustable Tri-Vue Mirror Frame. If you have questions during assembly, call 800-328-2495 to reach technical assistance. This package does not include mirror or backing panels, which are necessary for complete assembly.

Tools you'll need

- #2 Phillips screwdriver
- #6 Wood screws
- (2) Regular screwdrivers
- Awl
- Rubber mallet
- Utility knife

Please read these instructions carefully before beginning installation.

Stylmark Installation Instructions: Adjustable Tri-Vue Mirror Frame

Getting Started:

These instructions are for pre-fabricated Adjustable Tri-Vue Mirror Frame. If assembly was not ordered pre-fabricated, the stock length extrusions will need to be fabricated by the installer to meet the required dimensions of the project.

Assemble the adjustable tri-vue mirror frame in its entirety before attaching it to the wall.

Side mirrors for the assembly can be a maximum of 22" wide.

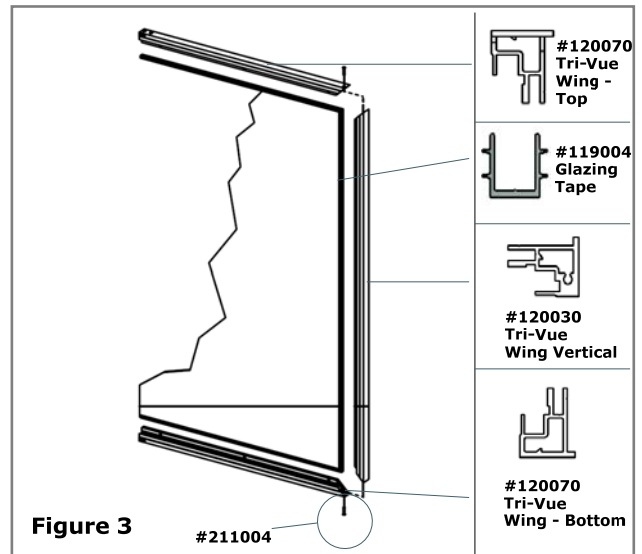
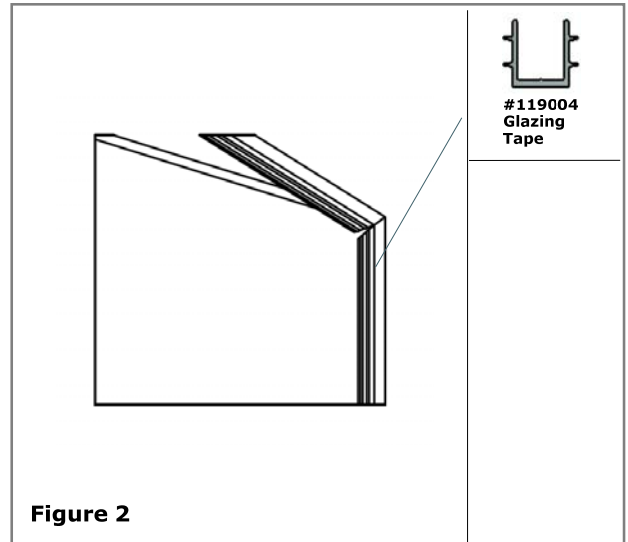
Assembly requires two people.

Step-by-Step Instructions – Side Mirror Assembly:

1. Press glazing tape (part #119004) onto the top, side and bottom edges of the side mirrors. Notch corners to eliminate bulge. **See Figure 2.**
2. Press the top and bottom mirror frame sections onto the side mirrors over the glazing tape. Check that the straight (not mitered) ends of the frame sections are flush with the edges of the glass. **See Figure 3.**
3. Press the side mirror frame sections onto the side mirrors over the glazing tape. Align all mitered corners and secure corners with #8 x 3/4" machine screws (part #211004). **See Figure 3.**

Step-by-Step Instructions – Center Mirror Assembly:

4. Press glazing tape (part #119004) onto the top and bottom edges of the center mirror and trim to the glass width.
5. Position the top and bottom mirror frame sections and press them onto the center mirror over the glazing tape.



Stylmark Installation Instructions: Adjustable Tri-Vue Mirror Frame

Step-by-Step Instructions – Backing Panel Installation:

6. Install backing panels. Refer to **Figure 4** and the instructions below:
 - a. Place the individual assembled mirror frame sections on a protected surface with the mirror face down.
 - b. Slide the backing panels into the extruded slots in the frames.
 - c. Place the panel trim sections over the exposed edges of the backing panels and align them with the top and bottom edges of the mirror.
 - d. Mark the centers of the pre-drilled holes with a sharp awl. Secure the backing panels with #6 x 5/16" sheet metal screws (part #212050).
 - e. Press adhesive bumpers (part #221014) onto the rear sides of the vertical frames as required to suit wall conditions.

Step-by-Step Instructions – Pivot Assembly Installation:

7. Arrange the individual assembled mirror frame sections next to each other with their mirrors face up. Insert the pivot assemblies into their slots in the top and bottom mirror frame sections. Insert the pivot assemblies so their hinges protrude over the mirror. Secure with #8 x 5/16" machine screws (part #211019). **See Figure 5.**

Step-by-Step Instructions – Hanger Bar Installation:

8. Position the top edge of the bottom hanger bar 1-5/16" higher than the desired location of the bottom of the mirror frame. Make sure the hanger bar is level and then fasten it to the wall with appropriate screws (obtain locally). **See Figure 6.**

CAUTION: When fastening the top and bottom hanger bars to the wall, securely anchor the screws to the wall studs or use appropriate screws/anchors.

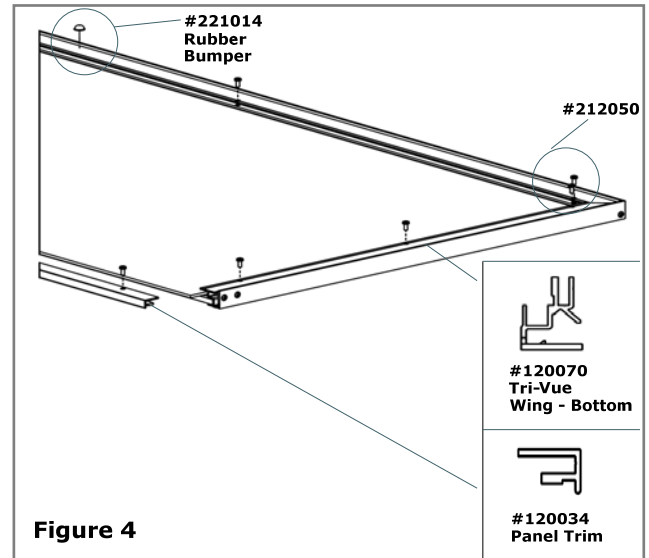


Figure 4

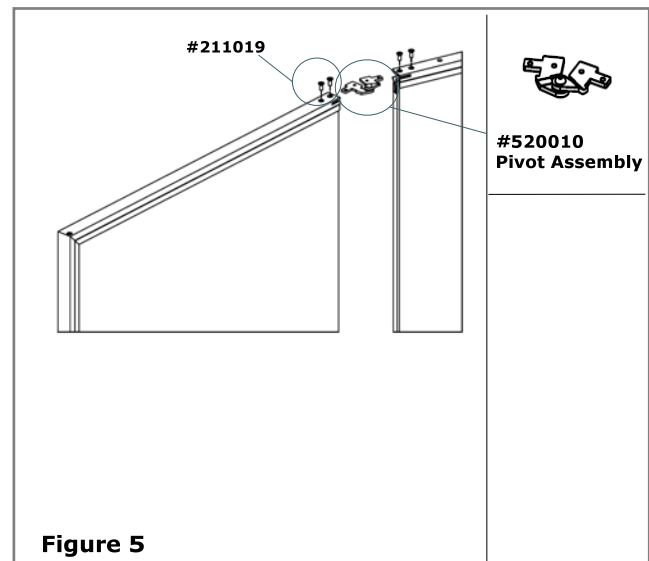


Figure 5

Stylmark Installation Instructions: Adjustable Tri-Vue Mirror Frame

Step-by-Step Instructions – Hanger Bar Installation Con't:

- Determine the location of the top hanger bar. The dimension between the hanger bars is equal to the overall mirror frame height minus 2 1/2". Attach the top hanger bar to the wall in the same manner as the bottom hanger bar. **See Figure 6.**

Step-by-Step Instructions – Mirror Installation:

- Lift entire tri-vue mirror frame assembly up to the wall (heavy units require two people) and set the rear of the center mirror frame section onto the bottom hanger bar. Push the top of the mirror frame to the wall. Align the clearance holes in the top of the center mirror frame section with the holes in the top hanger bar. Secure with #10 x 5/8" set screws (part #216006). **See Figure 7.**

