



# Installation Instructions

## Back-Lit Mirror Kit Models 620086 and 620087

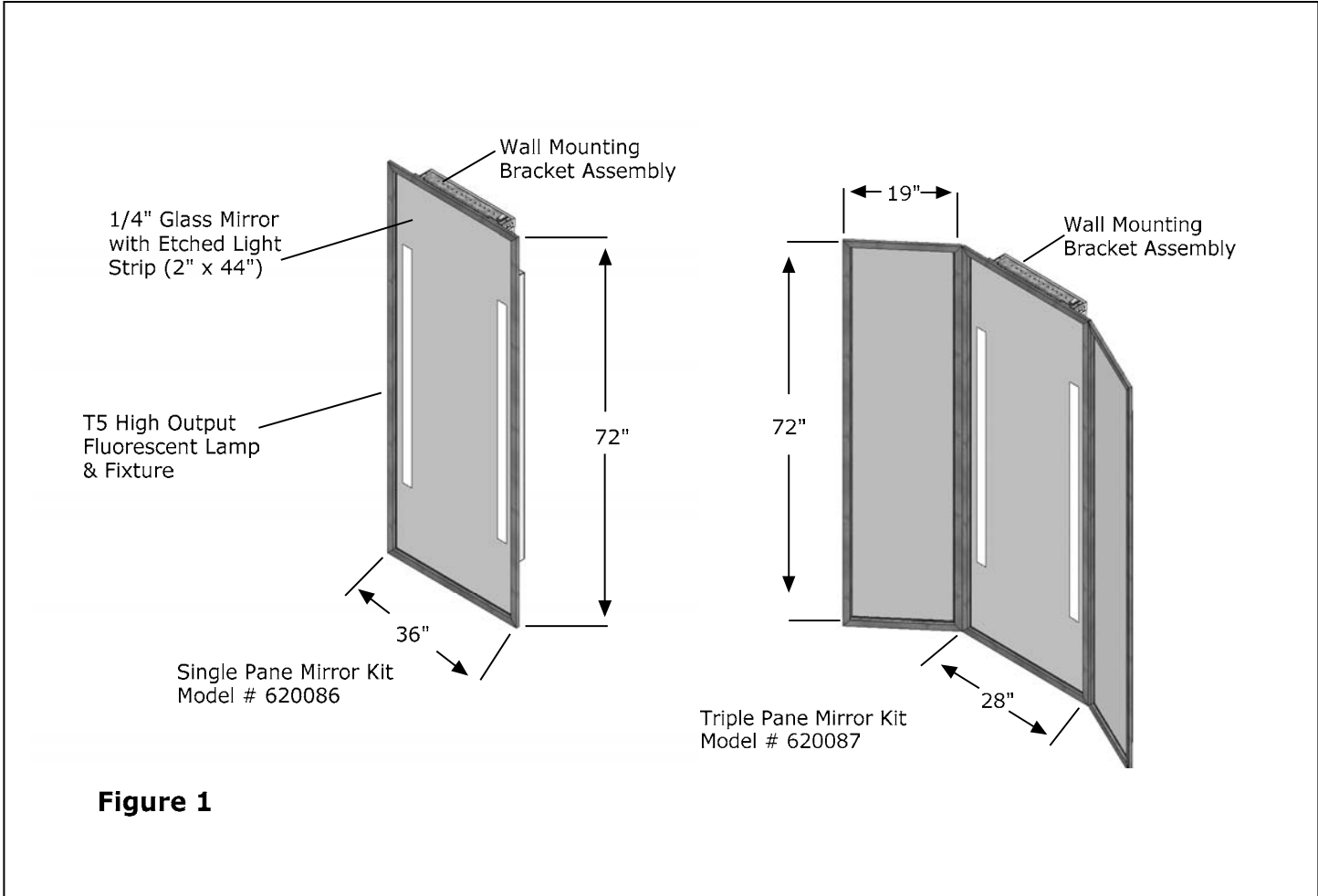


Figure 1

### INSTALLATION INSTRUCTIONS

#### Before you begin

These instructions illustrate the Stylmark® Back-Lit Mirror Kit. If you have questions during assembly, call 800-328-2495 to request technical assistance. This installation requires a minimum of two people to assemble.

#### Tools you'll need

- Level
- Tape Measure
- #2 Phillips screw driver
- Drill & bits
- Wiring tools
- 75 lbs pullout rated fasteners
- Shims

**Please read these instructions carefully before beginning installation.**

# Stylmark Installation Instructions: Back-Lit Mirror Kit Models 620086 & 620087

## Getting Started:

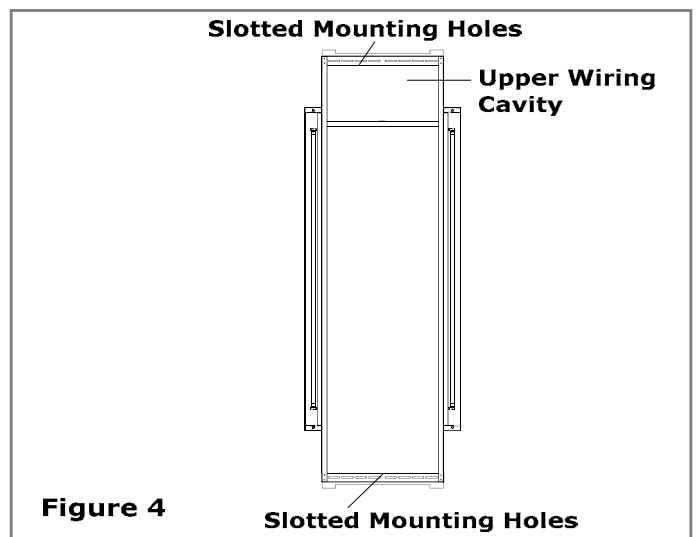
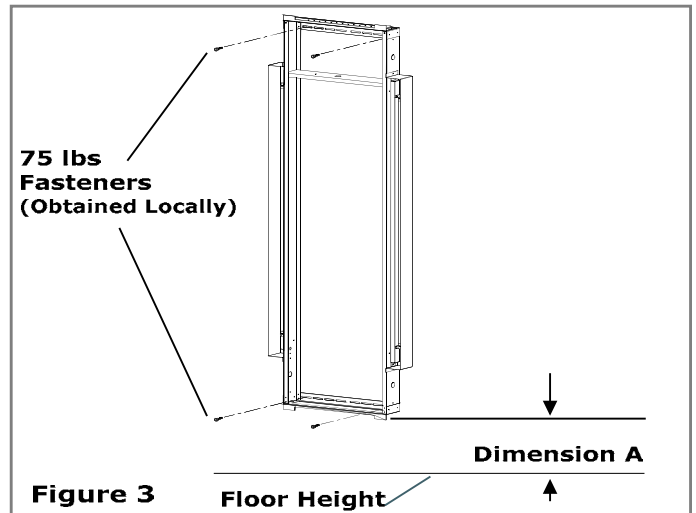
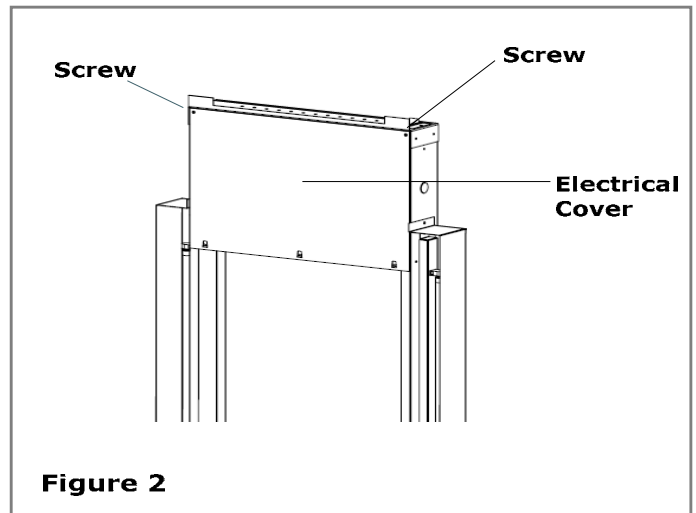
Please review important safety instructions before starting.

Determine the location for installing the mirror assembly.

Installation should be performed by authorized personnel only. The Back-Lit Mirror Kit models 620086 & 620087 are for commercial use only, intended as a viewing mirror.

## Step-by-Step Instructions:

1. Remove screws and electrical cover exposing upper wiring cavity. **(See Figure 2)**
2. Determine mounting location. The mount bracket includes slotted mounting holes to ensure a level and stable attachment. Dimension A is to be determined by customer. *Stylmark recommends Dimension A to be a minimum of 8".* **(See Figure 3)**
3. Fasten wall mounting bracket assembly to wall studs or suitable structural location through slotted mounting holes located in top & bottom of wall mounting bracket. Use fastening screws with a minimum pullout rating of 75 lbs per fastener (obtain locally). **(See Figure 4)** Notes: Wall mounting bracket must be level & plumb. Shim as needed (obtain locally).
4. Connect all wiring per applicable local codes and refer to wiring diagram. **(See Figure 5)**
5. Replace upper wiring cavity electrical cover and re-install screws.
6. Locate hanger mounting bracket slots on mirror and position slots just under lower tab on wall mounting bracket. **(See Figure 6)**
7. Attach light reduction kit part # 580940 (if included). See Light Reduction Kit Installation Instructions (part # 971734) for details.
8. Lift mirror upward allowing lower tabs to slip into lower hanger bracket slots. **(See Figure 6)**
9. Tilt top of mirror backward, position upper mounting bracket slots over upper tabs, and slowly lower mirror assembly until fully secured.
10. Turn on power switch.



# Stylmark Installation Instructions: Back-Lit Mirror Kit Models 620086 & 620087

## **IMPORTANT SAFETY INSTRUCTIONS** **SAVE THESE INSTRUCTIONS**

A) READ ALL INSTRUCTIONS BEFORE USING THIS PRODUCT

B) **DANGER** - TO REDUCE THE RISK OF ELECTRICAL SHOCK: CONNECT THIS FURNISHING TO A PROPERLY GROUNDED CIRCUIT

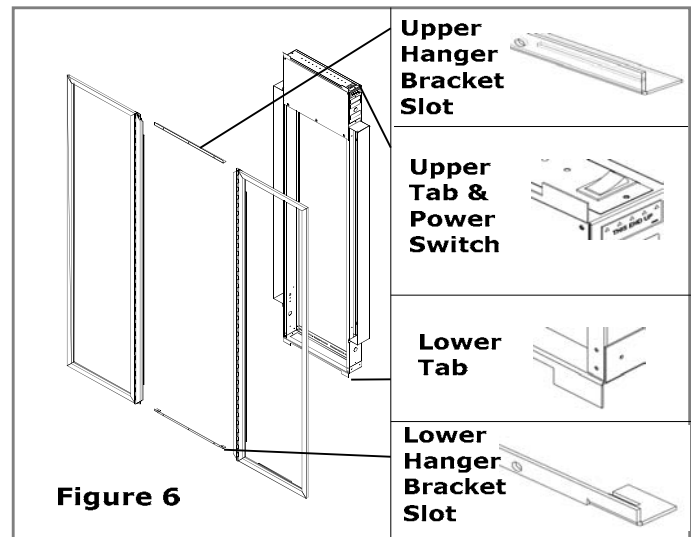
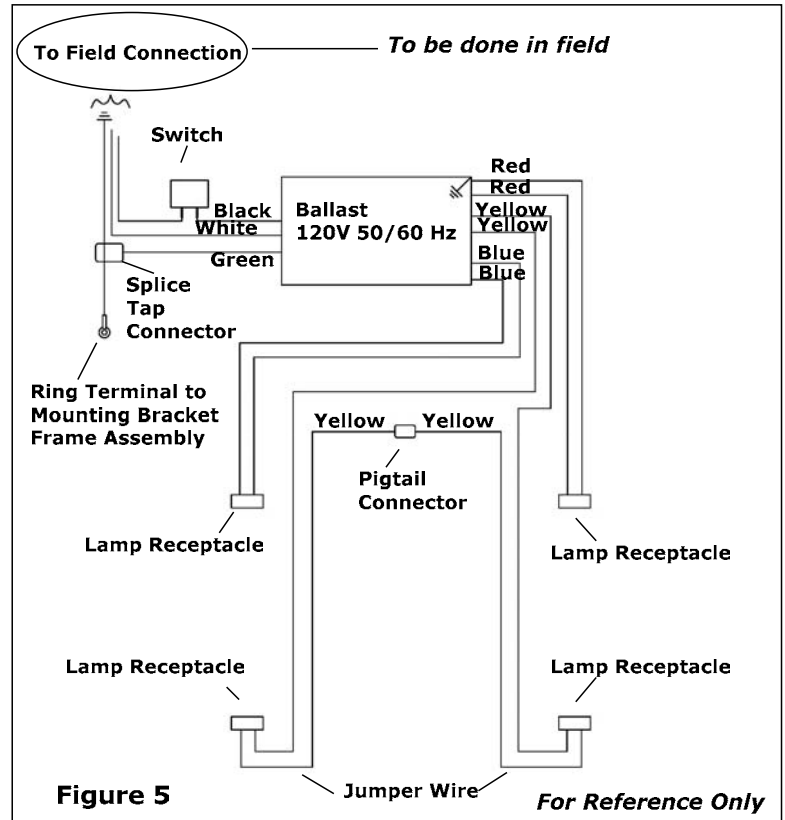
C) **WARNING** - TO REDUCE THE RISK OF BURNS, FIRE, ELECTRICAL SHOCK OR INJURY TO PERSON:

- UNPLUG OR SWITCH OFF POWER BEFORE REMOVING OR REINSTALLING ANY PARTS.
- USE THIS PRODUCT FOR ITS INTENDED PURPOSE AS DESCRIBED IN THESE INSTRUCTIONS. DO NOT USE ANY ATTACHEMENTS NOT RECOMMENDED BY THE MANUFACTURER.
- DO NOT CLEAN BY SPRAYING CLEANERS DIRECTLY ON OR NEAR THE LAMPS OR ITS ELECTRICAL CONNECTIONS NEAR THE REAR OF THE PRODUCT DO NOT ALLOW SPILLED LIQUID TO FALL INTO THE LAMP AREA OR THE CONNECTION BOX AT THE REAR OF THE PRODUCT
- DO NOT USE OUTDOORS
- ALWAYS DISABLE POWER TO THIS PRODUCT PRIOR TO SERVICING.

D) RISK OF INJURY - KEEP CHILDREN FROM CLIMBING ON THIS DISPLAY

E) **GROUNDING INSTRUCTIONS** - THIS PRODUCT MUST BE CONNECTED TO A GROUNDED METAL, PERMANENT WIRING SYSTEM.

F) **DANGER** - IMPROPER CONNECTION OF THE EQUIPMENT GROUNDING CONDUCTOR CAN RESULT IN RISK OF ELECTRICAL SHOCK. CHECK WITH QUALIFIED ELECTRICIAN OR SERVICEMAN IF YOU ARE IN DOUBT WHETHER PRODUCT IS CORRECTLY GROUNDED.

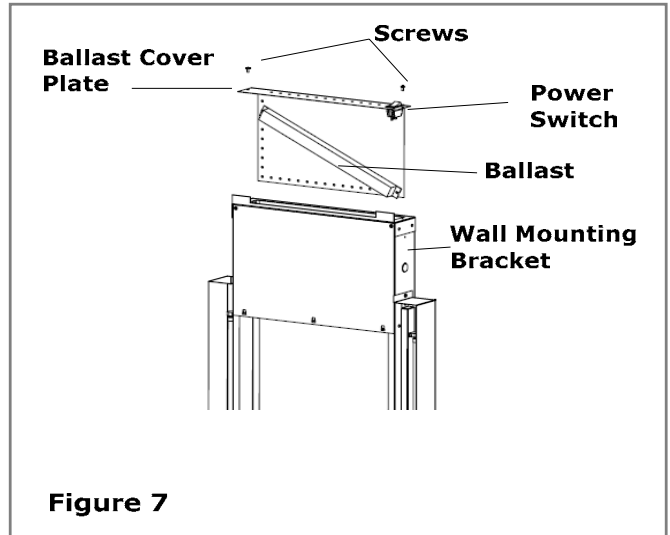


# Stylmark Installation Instructions: Back-Lit Mirror Kit Models 620086 & 620087

## **Step-by-Step Instructions – Ballast Replacement:**

4. Turn off power to mirror from electrical fuse box.
5. Remove screws from ballast cover plate (Model #620086 has only one screw). **(See Figure 7)**
6. Lift and remove ballast cover plate exposing ballast assembly.
7. Replace ballast & perform all related wiring connections per local codes. **(See Figure 5)**
8. Clean mirror with appropriate cleaners before restoring power.
9. Re-assemble & turn on power to mirror from wall switch or electrical fuse box.

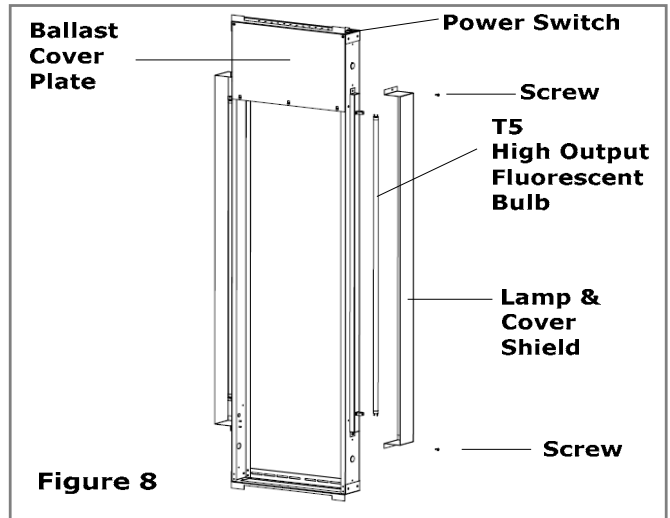
Note: If the product will not be immediately installed or in use, store unit in a dry environment, and protect mirror surfaces and mechanical connections.



**Figure 7**

## **Step-by-Step Instructions – Cleaning:**

1. Turn off power to mirror from electrical fuse box.
2. Clean mirror with appropriate cleaners before restoring power.
3. Turn on power to mirror from electrical fuse box.



**Figure 8**

## **Step-by-Step Instructions – Lamp Replacement:**

1. Turn off power to mirror using the switch located at the top of the wall mounting bracket. **(See Figure 8)**
2. Remove screws from the top & bottom of the lamp cover shield and set the shield aside.
3. Remove T5 high output lamp by twisting lamp 90° and pulling straight out from receptacles.
4. Insert new T5 high output lamp (Model F54T5H0 / 3000K) and re-attach lamp cover shield.
5. Switch power back on.