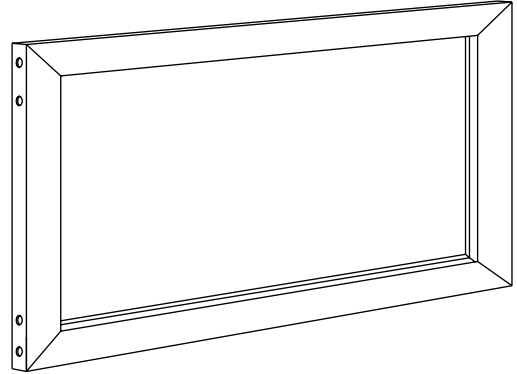
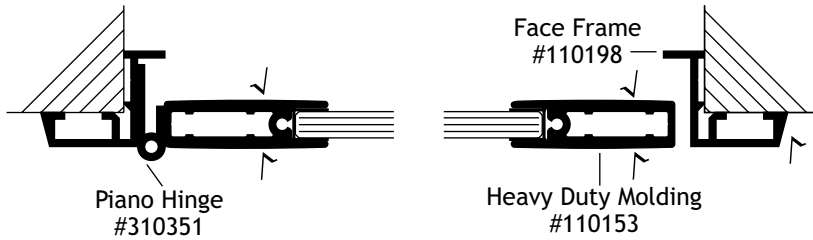


Heavy Duty Aluminum Hinged Door Frames

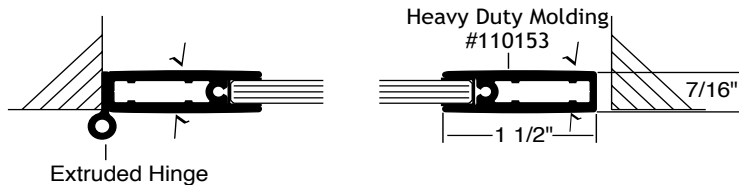
Heavy Duty Hinged Door Frames are designed for maximum durability. Recessed 5" steel corner brackets support mitered corners with ease. Piano hinges provide the extra strength larger openings require, while extruded hinges provide a clean, "invisible" look for smaller openings. This frame can be used with a Face Frame as shown on page 10, and you can choose from either a cam lock or push-release latch. Fabricated assemblies include glazing vinyl for a 1/4" thick panel.



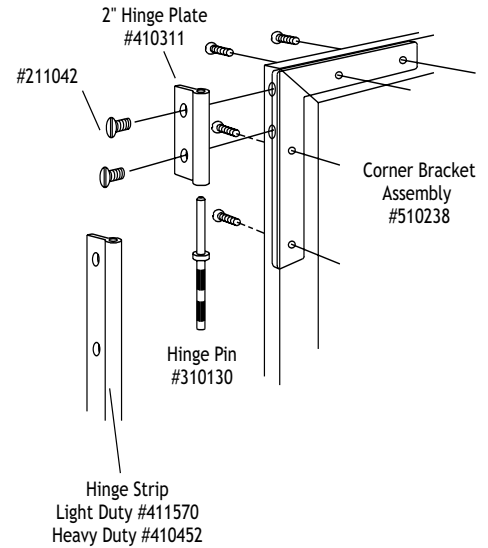
Piano Hinge



Extruded Hinge



Steel Corner Bracket and Hinge



√ = finished surface

Heavy Duty Aluminum Hinged Door Frames

Hinges

Door Frames can be ordered with either an extruded hinge or a piano hinge. Extruded hinges provide a clean, “invisible” look for smaller openings. Piano Hinges supply greater strength for frames with larger openings.

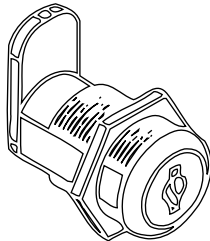
SIZE LIMITATIONS	MAXIMUM WIDTH	MAXIMUM HEIGHT
EXTRUDED HINGE	24”	48”
PIANO HINGE	36”	96”

These size limitations apply to side hinges only. You can enlarge the width capabilities of your frame by specifying top or bottom hinges.

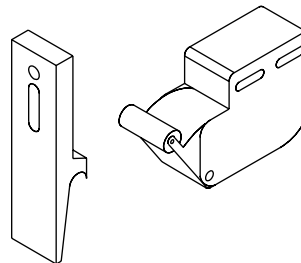
Locks/Latches

Choose from a push-release latch or a cam lock.

Part #510199
Cam Lock



Part #510349
Push Latch



HEAVY DUTY ALUMINUM HINGED DOOR FRAMES		
MODEL #	DESCRIPTION	PANEL THICKNESS
610136	HEAVY DUTY FRAME WITH EXTRUDED HINGE AND LATCH	1/4”
610137	HEAVY DUTY FRAME WITH EXTRUDED HINGE AND LOCK	1/4”
610138	HEAVY DUTY FRAME WITH PIANO HINGE WITH LATCH	1/4”
610139	HEAVY DUTY FRAME WITH PIANO HINGE WITH LOCK	1/4”
610177	HEAVY DUTY FRAME WITH EXTRUDED HINGE AND LOCK	1/4”

Notes: • Model #610177 does not include a face frame.