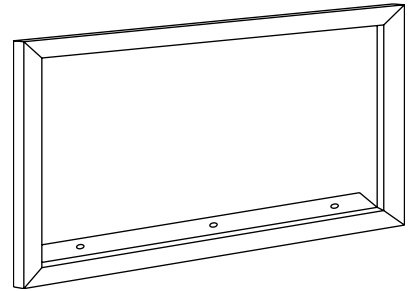
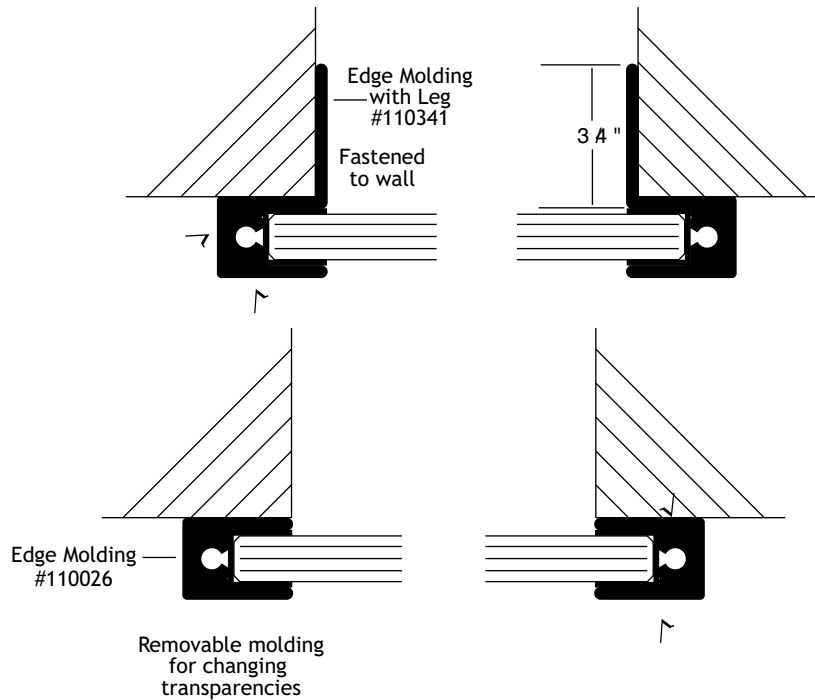


# Aluminum Stationary Frames

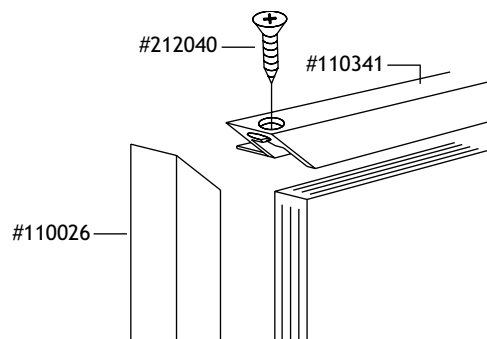
With a 9/16" edge channel, the Aluminum Stationary Frame can be used as an attractive transparency frame. A typical four-sided frame has two permanent channels that are affixed to the wall with legs, and two removable channels to slide your glass and/or artwork out. We can fabricate the frame to fit your sizing needs, and it is available in a straight or curved option.



**Part #610166**  
Aluminum Stationary Frame



**Removable Channel Detail**



√ = finished surface

- Notes:**
- Part #110341 - Used for top and bottom frame.
  - Part #110026 - Used as side molding.